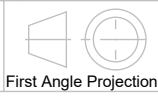


BOM Table			
NO	Part Number	Description	QTY.
1	Par--20003504	WB Backplate WB1 - WB2	1
2	Par--20003505	500X50X50 WB Wall arm	1
3	Par--20001895	Peg for WB Arms	1
4	Par--20003189	50 X 50 Standard Bung	1

Description		WB1 500mm With Peg	
UNLESS OTHERWISE SPECIFIED: DIMENSIONS ARE IN MILLIMETRES		Bend Tool:	DRW - REV REV - A-003
SURFACE FINISH: Powder Coat		Material:	
Created By System Administrator Unicol Engineering Green Road Oxford OX3 8EU		Gauge:	Part Number & Part Revision Ass--20001894 REV- A-003
WEIGHT: 5.02		 First Angle Projection	
		SCALE:1:6	DO NOT SCALE DRAWING
		SHEET 1 OF 1	