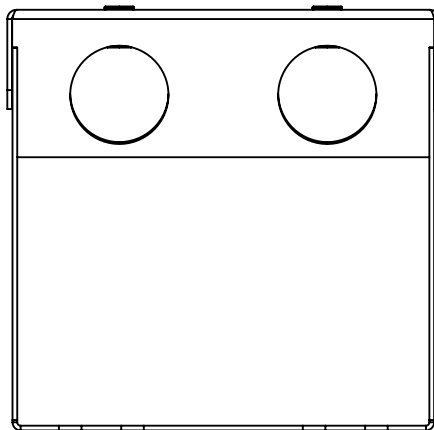
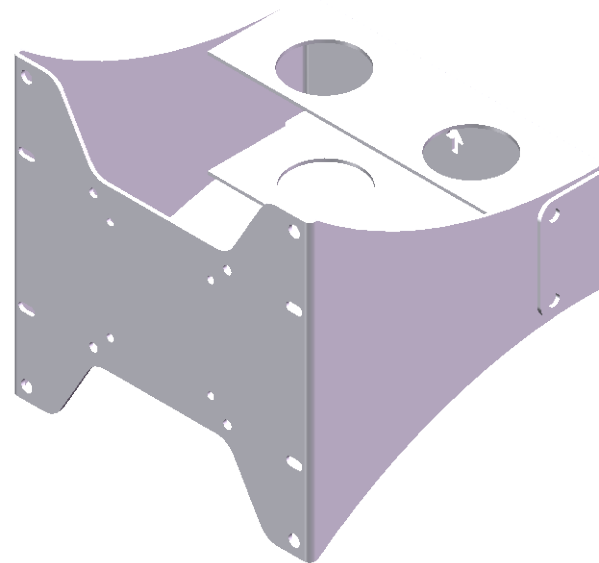
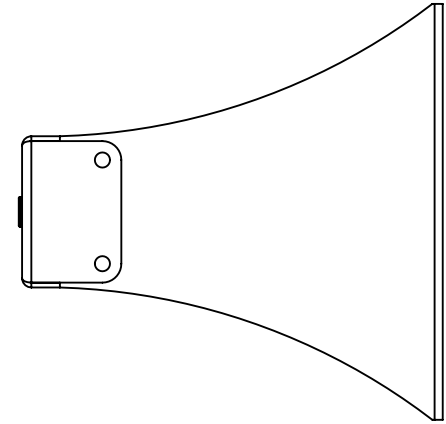
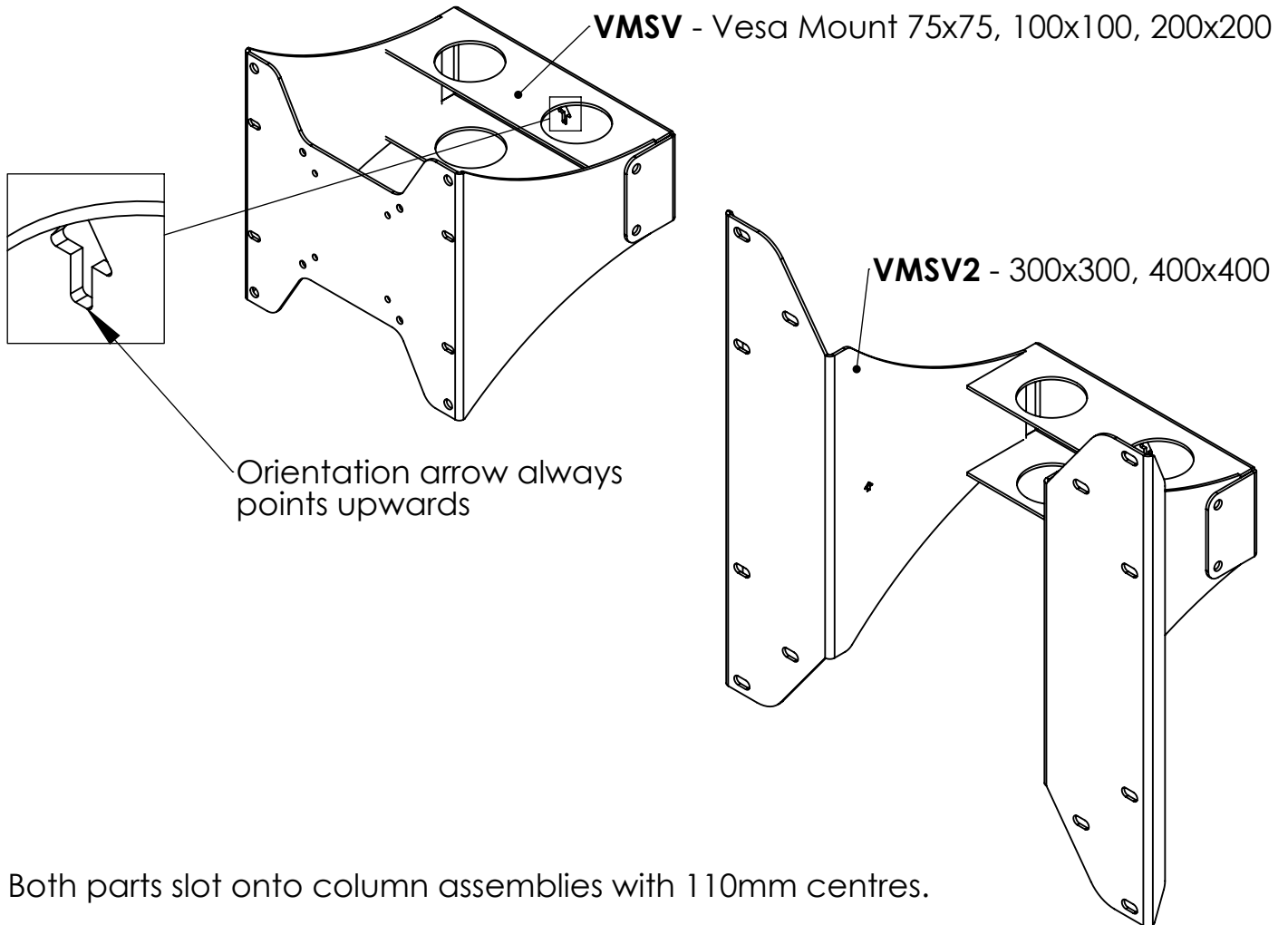


Send with Vesa fixing kit type 3



Description		Vmsv - Vesa Mount Direct Column 75X75 - 100X100 - 100X200 - 200X200			
UNLESS OTHERWISE SPECIFIED: DIMENSIONS ARE IN MILLIMETERS		Saved Date: 24 August 2021 Created Date: 26 August 2021 Bend Tool:		DRW - REV REV - A-030	
SURFACE FINISH: Powder Coated		Material:		See Below - Special Notes	
Created By System Administrator Unicol Engineering Green Road Oxford OX3 8EU		Gauge:		Part Number & Part Revision Ass--20015645 REV - A-030	
		WEIGHT: 2.69		Kg	
		SCALE:1:4		DO NOT SCALE DRAWING SHEET 1 OF 2	

INSTALLATION INSTRUCTIONS



1. Both parts slot onto column assemblies with 110mm centres.
2. Secure in desired position using screws in rear.
3. Note orientation of arrows shown in detail view above. Arrows should point upwards.

Inspect the unit before installing

Warning: Watch for pinch points. Do not put your fingers between moveable parts. Do not tamper with or dis-assemble any spring loaded items.

1. Carefully inspect the unit for shipping damage. If any damages apparent, call Unicol on number below.
2. Lay out components to ensure you have all the required parts before proceeding (see parts list).

Caution: To prevent damage to the unit, study all instructions and illustrations before you begin the installation. Failure to do so could render the warranty for the unit and the equipment that attaches to it null and void. Pay particular attention to the “warnings” displayed in these instructions.

We recommend installation by a qualified tradesperson. If you have any questions about the installation, contact Unicol, (uk +44 (0) 1865 767676) (europe +49 (0) 9131 9405 8013).