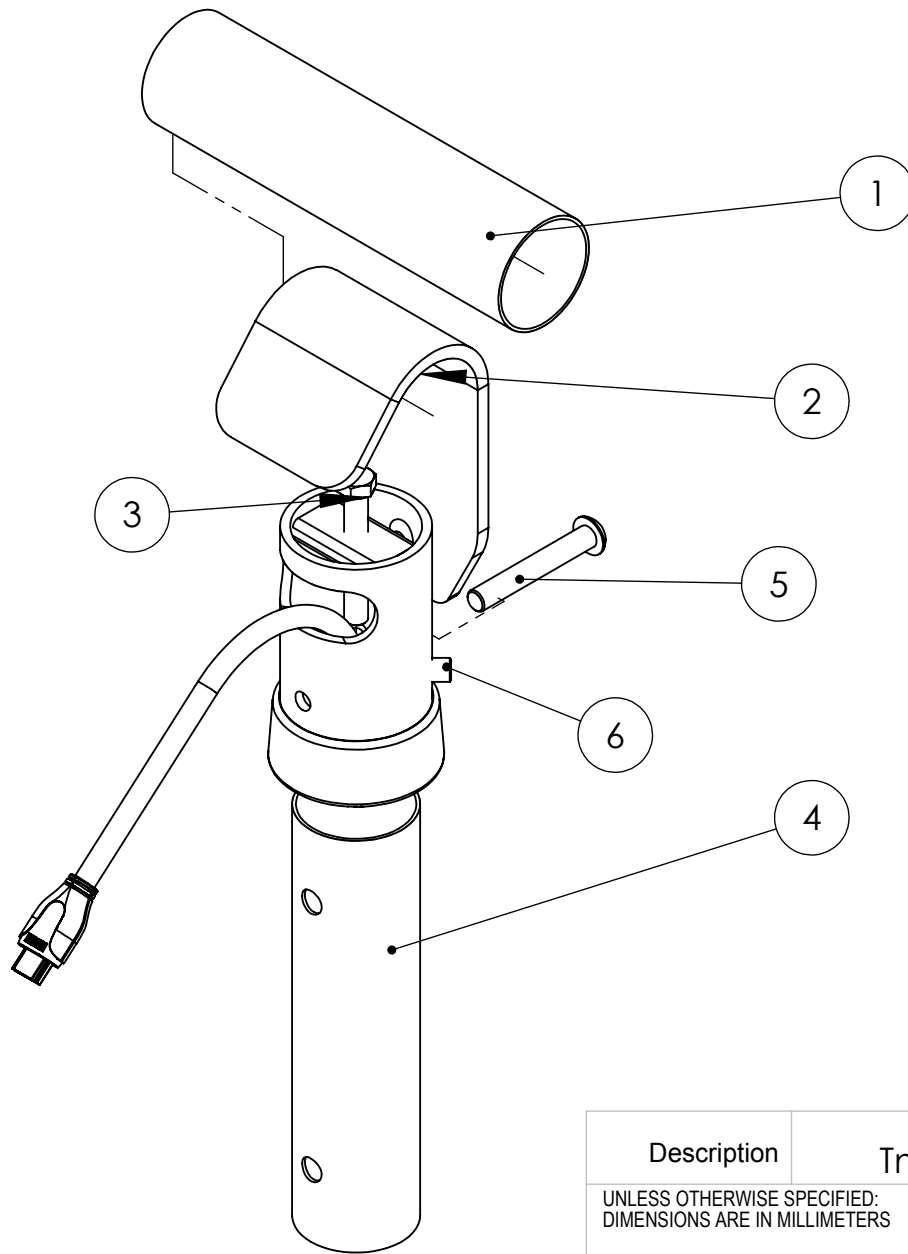


Bend Tool

Description		Tm05 Tube Clamp Mount			
UNLESS OTHERWISE SPECIFIED: DIMENSIONS ARE IN MILLIMETERS		Mod Date	07/03/2016	REVISION	Bend & Machine Number
		Drawn Date:	22/02/2007	A-002	
SURFACE FINISH: Powder Coated		DRAWN Specials Three		Material	
Unicol Engineering Green Road Oxford OX3 8EU		Gauge		DWG NO.	TM05
WEIGHT:		Kg		SCALE:1:2	DO NOT SCALE DRAWING
				SHEET 1 OF 2	



Ensure that the ceiling tube 1 can support five times the load - (screen including all bracketry and peripherals).  
**1. Hook plate (2) over support tube (1) - Consult your builder or architect if in doubt.**  
**3. Using a spanner tighten the clamp bolt (3) to the underneath of the support tube (1)**  
**4. Route cables through aperture in socket and through column before fixing column. Insert column (4) into socket and pass through the safety through bolt to fasten together - nip up grub screws (6).**

Description		Tm05 Tube Clamp Mount		
UNLESS OTHERWISE SPECIFIED: DIMENSIONS ARE IN MILLIMETERS	Mod Date	07/03/2016	REVISION	Bend & Machine Number
	Drawn Date:	22/02/2007	A-002	
SURFACE FINISH: Powder Coated	DRAWN Specials Three		Material	DWG NO. <b>TM05</b>
Unicol Engineering Green Road Oxford OX3 8EU	Gauge			
WEIGHT:		Kg		A4
SCALE:1:3		DO NOT SCALE DRAWING		SHEET 2 OF 2

Bend V Tool

1

2

3

WEIGHT:

Kg

SCALE:1:3

DO NOT SCALE DRAWING

SHEET 2 OF 2

**TM05**

A4