

1 2 3 4 5 6

A

A

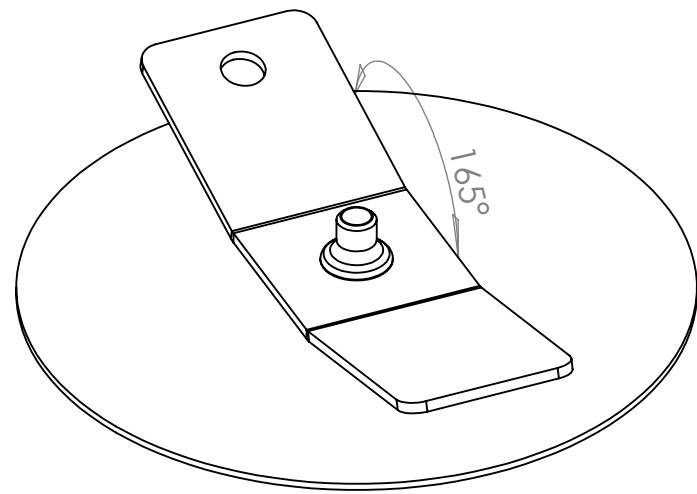
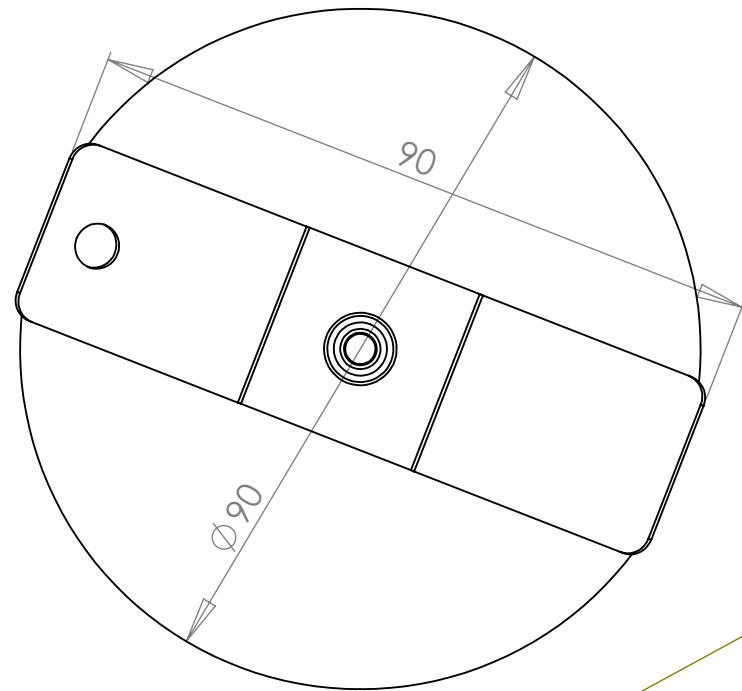
B

B

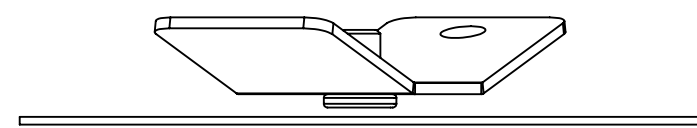
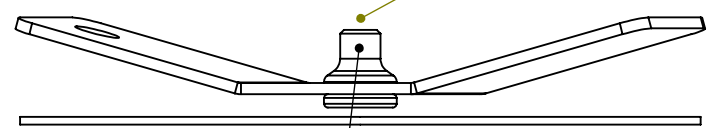
C

C

D



M4 x 16  
Weld Stud



M4 Rivnut  
9mm Diameter  
Flange

Description		Tdb1 Trim Disc Blanking Plate - 5Cm Fitting			
UNLESS OTHERWISE SPECIFIED: DIMENSIONS ARE IN MILLIMETERS		Mod Date	20/01/2018	REVISION	Bend & Machine Number
SURFACE FINISH: Powder Coated		Drawn Date:	31/10/2012	A-006	
DRAWN	Jim Morley	Material			DWG NO. <b>Ass--20015293</b>
Unicol Engineering Green Road Oxford OX3 8EU		Gauge			
		WEIGHT: 0.080.08	Kg	SCALE:1:1	SHEET 1 OF 1

Bend V Tool

1 2 3 4 5 6

A4