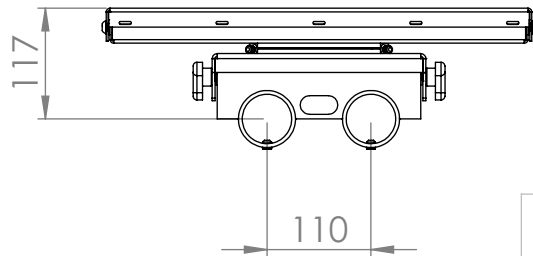
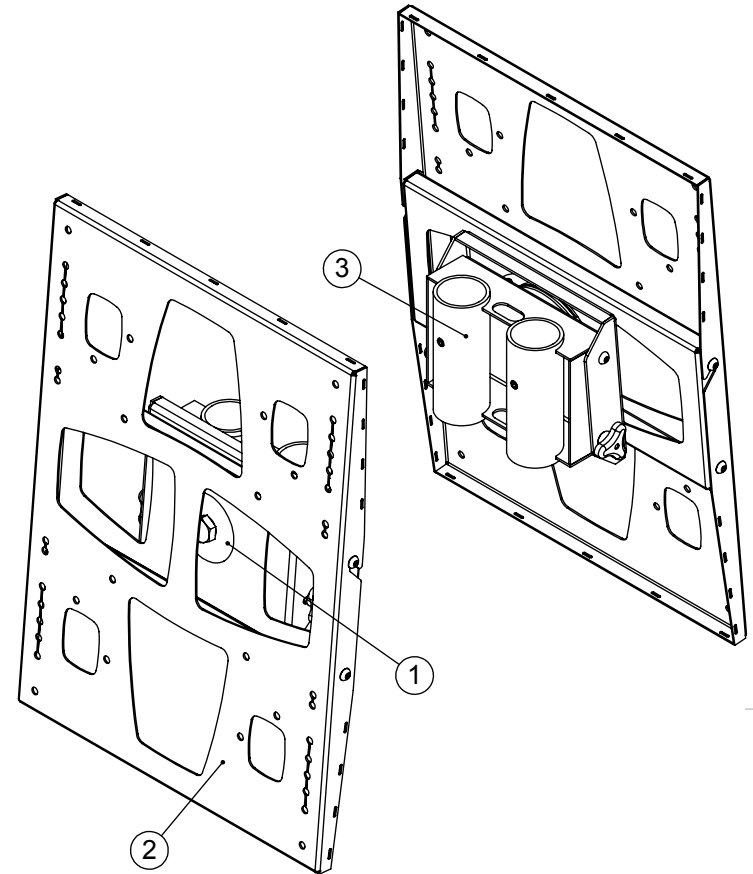
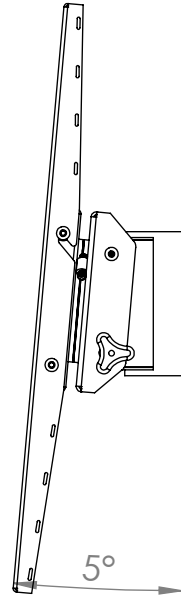
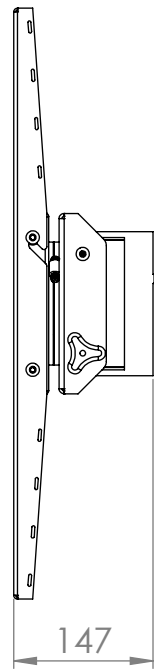


Ø8.50



| BOM Table |               |                       |      |
|-----------|---------------|-----------------------|------|
| NO        | Part Number   | Description           | QTY. |
| 1         | Par--20027161 | 80X16.5X3 Washer      | 1    |
| 2         | ASS--20053021 | AVHTR1 Rotamount PLX  | 1    |
| 3         | ASS--20059729 | RTM110 rotamount head | 1    |

|  |                             |   |                           |
|--|-----------------------------|---|---------------------------|
| Description  |                             | RTM110 rotamount  |                           |
| UNLESS OTHERWISE SPECIFIED:<br>DIMENSIONS ARE IN MILLIMETERS | Saved Date: 17 March 2023   | DRW - REV<br><b>REV -</b>                                 | See Below - Special Notes |
|  | Created Date: 17 March 2023 |   |                           |
| SURFACE FINISH: Powder Coated                                | Bend Tool:                  | Part Number & Part Revision<br><b>ASS--20059728 REV -</b> |                           |
|  | Material:                   |   |                           |
| Created By Andrew Griffiths                                  | Gauge:                      |   |                           |
| Unicol Engineering<br>Green Road<br>Oxford OX3 8EU           |                             |   |                           |