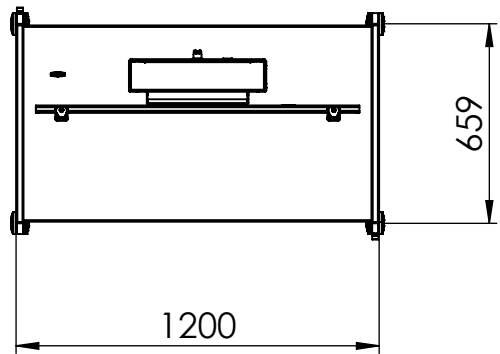
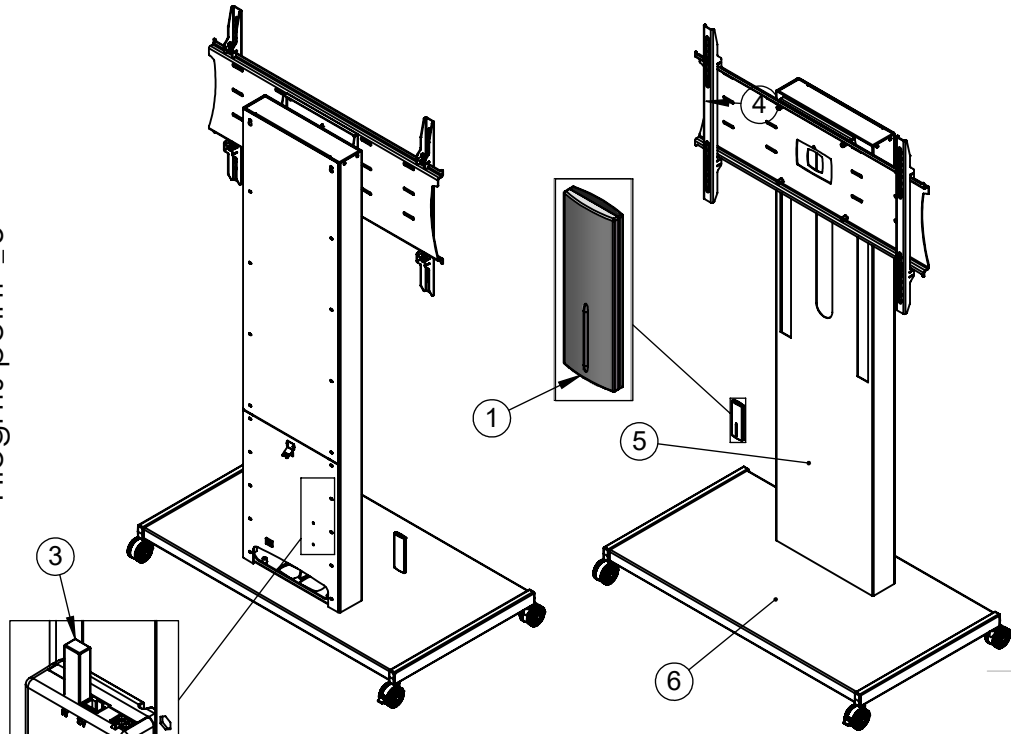


1084
 Lowest mid point ± 5
 1784
 Highest mid point ± 5
 2338
 Hieghts ± 5
 529
 Lowest point ± 5



| BOM Table | | | |
|-----------|----------------|--|------|
| NO | Part Number | Description | QTY. |
| 1 | PLC_HC10BL | Powalift controller | 1 |
| 2 | LCBCBD6S | Linak Cbd6s Control Box S | 1 |
| 3 | LBR-BLE2LIN001 | Linak bluetooth receiver RJ45 dongle BLE2LIN001 | 1 |
| 4 | Ass--20025128 | PZX9 Universal Flat Mount 900 X 600 | 1 |
| 5 | Ass--20024716 | Rhmu2 Rhobus Mast Power Twin Slot 700 Worm Drive | 1 |
| 6 | Ass--20019112 | Rhb2 Rhobus Base 1200 Wide 650 Deep | 1 |

| | | | |
|-------------|--|--|--|
| Description | Trolley Rhobus Powerlift 700 1500 N Pzx9 | | |
|-------------|--|--|--|

| | | | |
|---|--|---------------------------------|---------------------------|
| UNLESS OTHERWISE SPECIFIED: DIMENSIONS ARE IN MILLIMETERS SURFACE FINISH: Powder Coated | Saved Date: 10 February 2022 Created Date: 01 September 2021 Bend Tool: | DRW - REV REV - A-014 | See Below - Special Notes |
| | Created By System Administrator Unicol Engineering Green Road Oxford OX3 8EU | | |