

1 2 3 4 5 6

A

B

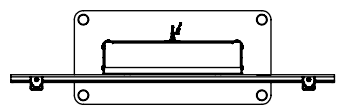
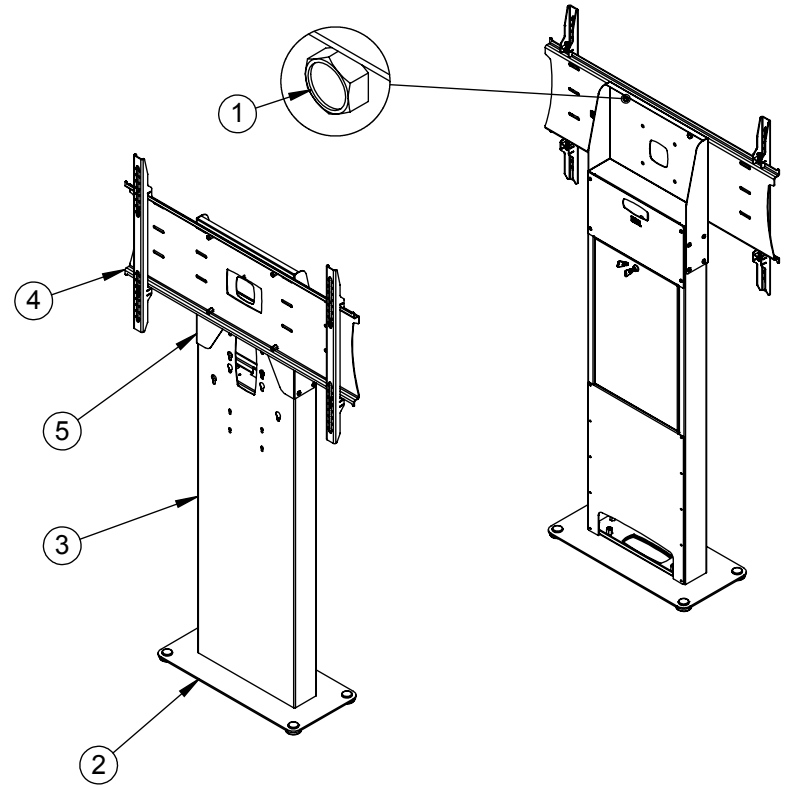
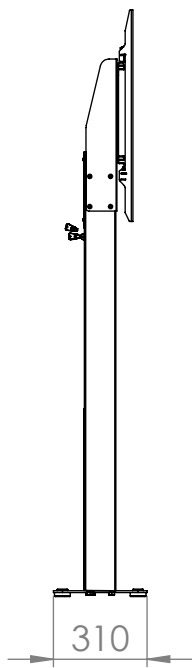
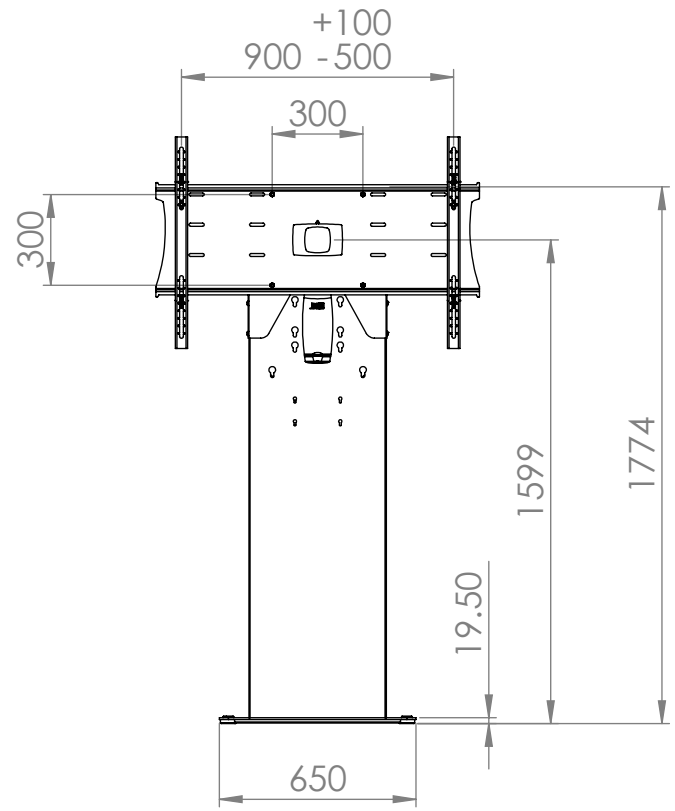
C

D

A

B

C



BOM Table			
NO	Part Number	Description	QTY.
1	HMS-MET-10X25-HT-YZN	Hex Machine Screw M10 X 25 (High Tensile Bright Zinc Plated Yellow Passivated)	4
2	Ass--20026664	Rhb1 Rhobus Base Bolt Down	1
3	Ass--20025251	Rhobus Mast Only For Larger Screens 300X300mm	1
4	Ass--20025128	PZX9 Universal Flat Mount 900 X 600	1
5	ASS--20059799	RH100HD optional height extender	1

Description		RHHDBDPZX9 – Rhobus HD bolt down stand 1.4m mast extender PZX9	
UNLESS OTHERWISE SPECIFIED: DIMENSIONS ARE IN MILLIMETRES	Modified Date: 14 June 2023	DRW - REV REV -	See Below - Special Notes
	Created Date: 04 February 2014		
SURFACE FINISH: Powder Coat	Bend Tool:	Material:	Part Number & Part Revision ASS--20060166 REV-
Created By Andrew Griffiths	Gauge:		
Unicol Engineering Green Road Oxford OX3 8EU		First Angle Projection	

1 2 3 4 5 6