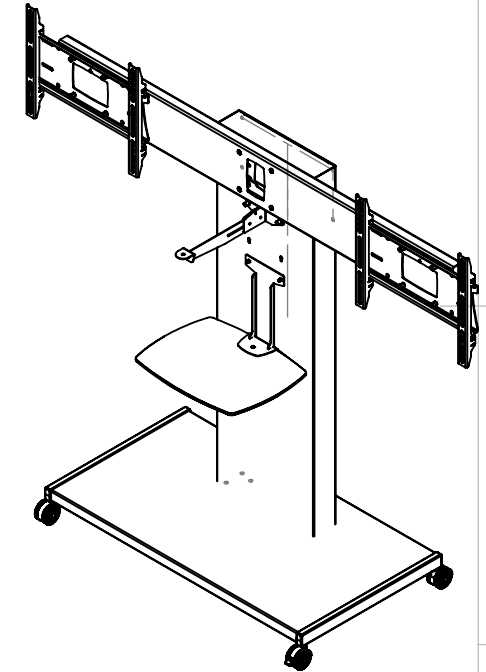
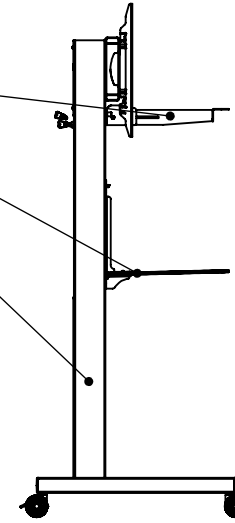


Standard Rhobus mast section  
Blade type vcm  
Glass shelf

X2 PZX3

1200mm wide Rhobus  
trolley base

Wider back spine to take  
X2 Screens upto 65inch (1540mm)



Description		Rhobus Twin Screen Trolley Pzx3 Glass Shelf Blade Type Vcm	
UNLESS OTHERWISE SPECIFIED: DIMENSIONS ARE IN MILLIMETERS	Saved Date: 05 September 2022	DRW - REV <b>REV - A-007</b>	See Below - Special Notes
	Created Date: 11 February 2022		
SURFACE FINISH: Powder Coated	Material:	Part Number & Part Revision <b>Ass--20019115 REV - A-007</b>	
Created By System Administrator Unicol Engineering Green Road Oxford OX3 8EU	Gauge:		
WEIGHT: 93.45		Kg	SCALE:1:25 DO NOT SCALE DRAWING SHEET 1 OF 1