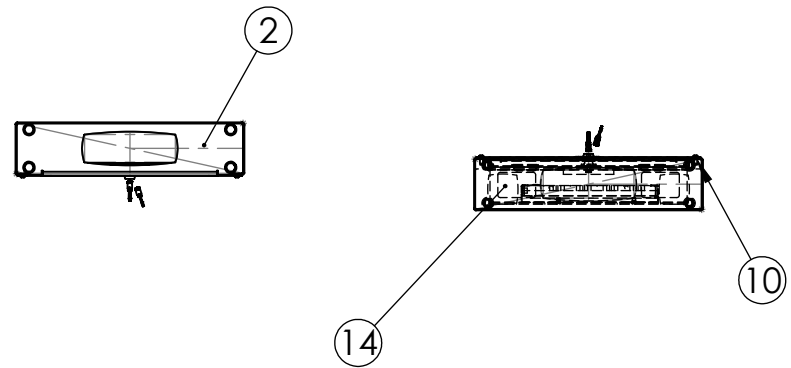
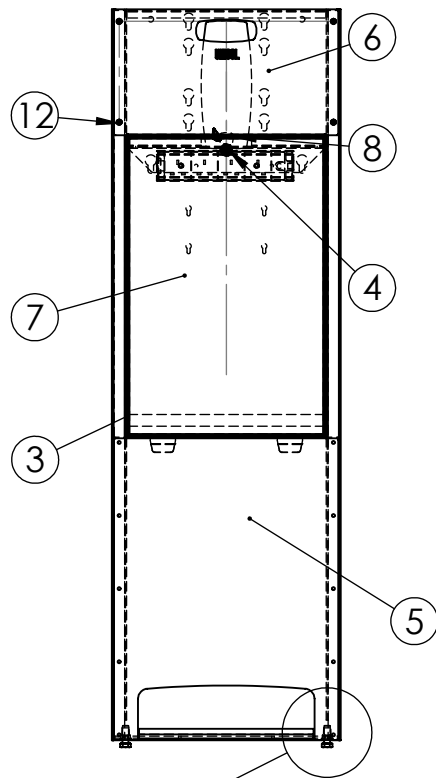
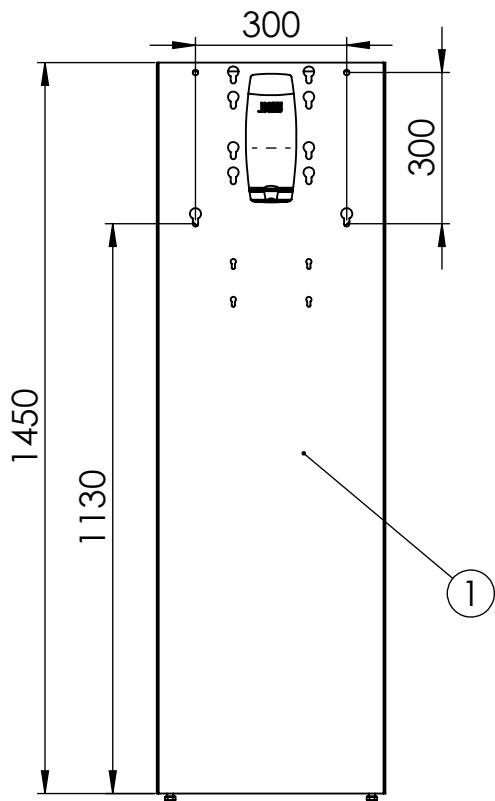


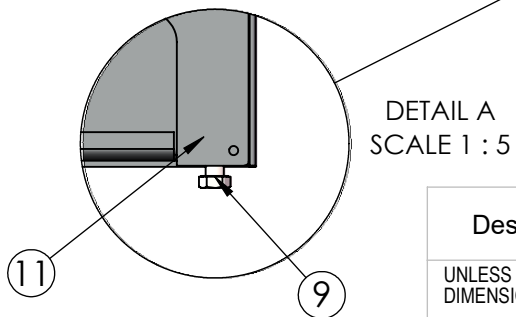
BOM Table			
ITEM NO.	PART NUMBER	Description	QTY.
1	Ass--20025251	Rhobus Mast Only For Larger Screens 300X300mm	1
2	Ass--20019112	Rhb2 Rhobus Base 1200 Wide 650 Deep	1

Description		Rhobus Trolley 300X300 For Larger Screens	
UNLESS OTHERWISE SPECIFIED: DIMENSIONS ARE IN MILLIMETERS	Mod Date	6/28/2017	REVISION A-011
	Drawn Date:	2/19/2016	
SURFACE FINISH: Powder Coated		See Below - Fixings Required	
DRAWN Tim Smith Unicol Engineering Green Road Oxford OX3 8EU	Material	DWG NO. Ass--20025275	
	Gauge		
WEIGHT: 56.93		Kg	A4

Bend Tool



BOM Table			
ITEM NO.	PART NUMBER	Description	QTY.
1	Par--20039220	Rhobus Mast 300X300 150X150	1
2	Par--20027126	Rhobus Base Plate	1
3	Par--20027324	Box Shelf Robus Mk6	1
4	Ass--20016721	Barel Lock Eith Cam	1
5	Par--20027283	Rhobus Back Panel Lower Mrk 5	1
6	Par--20027402	Rhobus Back Top Pan Mrk 7	1
7	Par--20027326	Mast Door Mk6	1
8	Par--20007383	standard lock cam	1
9	M12 x 35	Hex head	4
10	Hex M6 x 3	Hex RivNut Variable	4
11	Hex M12 x 6	Hex RivNut Variable	4
12	M6 x 16	Button head	4
13	Ass--20000809	Electrical Socket 4 Way 150 Fixings	1
14	Par--20028021	Robus Cap Plt	1



Description		Rhobus Mast Only For Larger Screens 300X300mm			
UNLESS OTHERWISE SPECIFIED: DIMENSIONS ARE IN MILLIMETERS	Mod Date	6/28/2017	REVISION	See Below - Fixings Required	
	Drawn Date:	4/4/2013			
SURFACE FINISH: Powder Coated	DRAWN Tim Smith		Material		
	Unicol Engineering Green Road Oxford OX3 8EU		Gauge	DWG NO.	Ass--20025251
					A4
WEIGHT: 29.73		Kg		SCALE:1:15	DO NOT SCALE DRAWING SHEET 2 OF 2

Bend Tool

1

2

3

WEIGHT: 29.73

Kg

SCALE:1:15

DO NOT SCALE DRAWING

SHEET 2 OF 2

A4