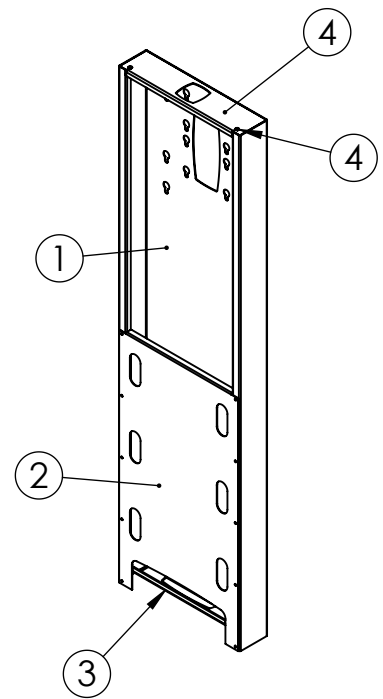
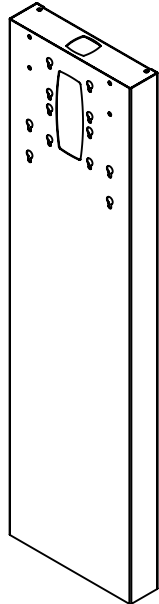
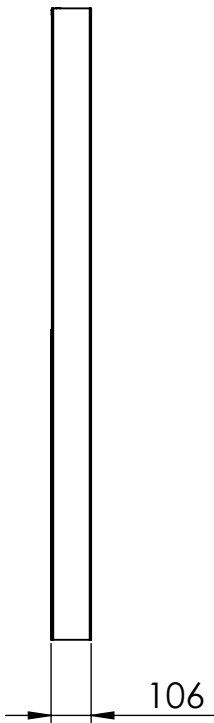
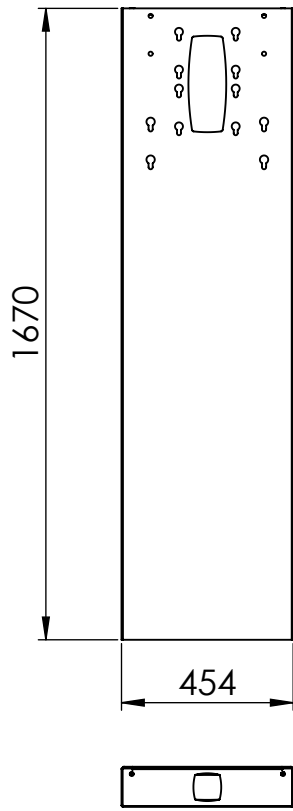


BOM Table			
NO	Part Number	Description	QTY.
1	Par--20038957	RFWS Wall Fixing Plate	1
2	Ass--20025820	Rhobus Mast Floor To Wall	1
3	Ass--20025790	RFWS Floor Fixing Plate	1
4	-	M6 x 16mm Socket Button Head Machine Screw	2

Description		RFWSH - Rhobus Floor To Wall Mast	
UNLESS OTHERWISE SPECIFIED: DIMENSIONS ARE IN MILLIMETERS	Created Date: 26 August 2021	DRW - REV REV - A-021	See Below - Special Notes
	Created Date: 31 August 2021		
SURFACE FINISH: Powder Coated	Bend Tool:	Material:	Part Number & Part Revision
	Created By System Administrator		
Unicol Engineering Green Road Oxford OX3 8EU			Ass--20025855 REV - A-021



BOM Table			
NO	Part Number	Description	QTY.
1	Par--20038931	Rhobus Mast + 220 Floor To Wall	1
2	Par--20038956	Rhobus Back Panel Lower Floor To Wall	1
3	Par--20038933	Rhobus Mast Base Plt Floor To Wall	1
4	Par--20038955	Robus Mast Cap Plt Floor To Wall	1
5	Par--20003291	Hex RivNut Variable	2

Description		Rhobus Mast Floor To Wall	
UNLESS OTHERWISE SPECIFIED: DIMENSIONS ARE IN MILLIMETERS	Created Date: 26 August 2021	DRW - REV REV - A-021	See Below - Special Notes
	Created Date: 31 August 2021		
SURFACE FINISH: Powder Coated	Bend Tool:	Material:	Part Number & Part Revision
	Created By System Administrator		
Unicol Engineering Green Road Oxford OX3 8EU			Ass--20025820 REV - A-021