

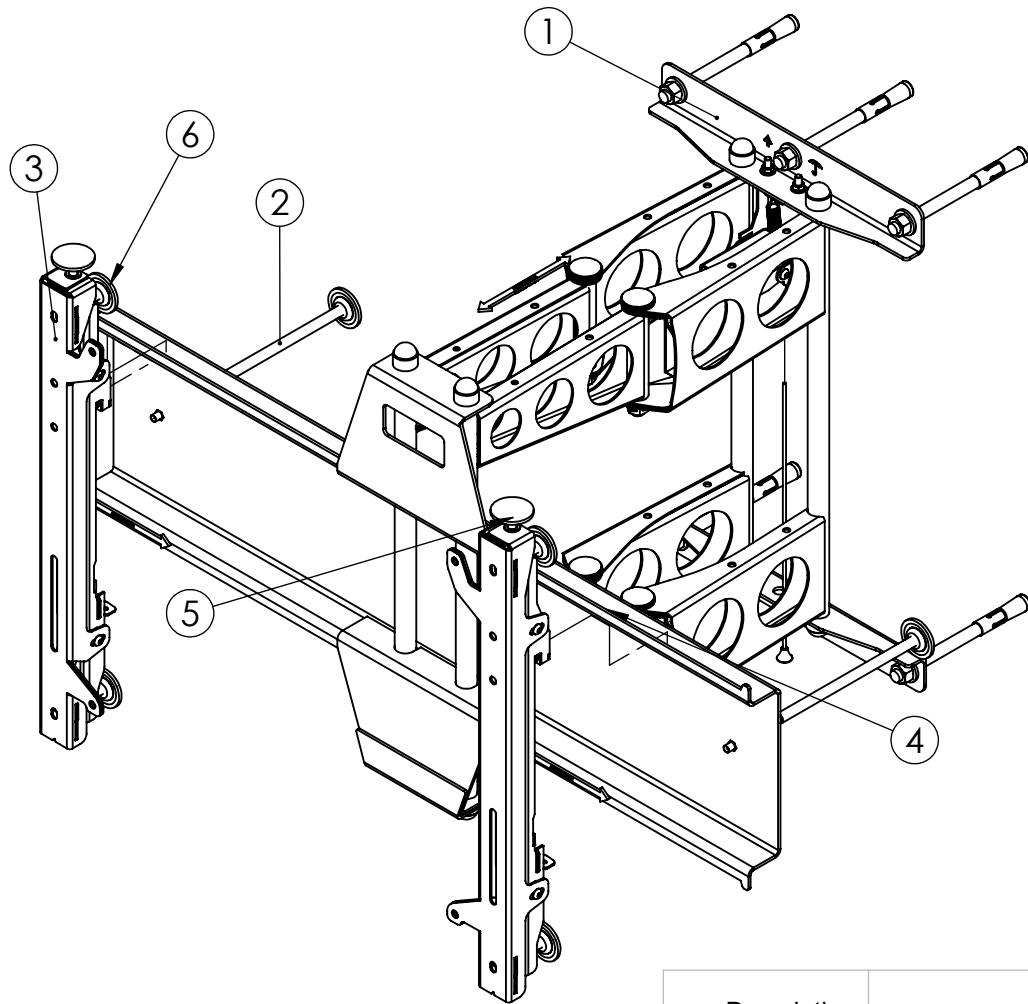
Description		Pla4 Ultra Heavy Duty Wall Arm 70 To 110 Inch Screens			
UNLESS OTHERWISE SPECIFIED: DIMENSIONS ARE IN MILLIMETERS	Mod Date	06/05/2016	REVISION	See Below - Fixings Required	
	Drawn Date:	05/04/2016			
SURFACE FINISH: Powder Coated	DRAWN	Ricky Clark	Material		
	Unicol Engineering Green Road Oxford OX3 8EU		Gauge	DWG NO.	PLA4
					A4
WEIGHT: 13.96		Kg		SCALE:1:10	DO NOT SCALE DRAWING
SHEET 1 OF 3					

Bend Tool

All Fixings must be approved by a builder or architect and these are only shown for illustrational purposes

Ensure that the wall structure can support five times the load - (including screen all bracketry, peripherals).

1. Fix wall plate (1) to wall using reliable fixings to ensure safe installation - Consult your builder or architect if in doubt, (fixings not provided).
2. Route cables to the approximate location avoiding any trap points
3. Fit the arms (3) to the screen using fixings either supplied or alternatives making certain that they are the approved fixing locations (see manufacture) Lift the screen with the arms attached to the extended wall mount lifting onto the top flange (4)
4. Centralize the screen
5. Push in and out and checking for trapped cables
6. Use adjuster screws (2) left and right to set depth of alternatively allow to fully push back and click into retainer and cable release mechanism
7. Finally use adjuster (5) & (6) for fine adjustment



Description		Pla4 Ultra Heavy Duty Wall Arm 70 To 110Inch Screens			
UNLESS OTHERWISE SPECIFIED: DIMENSIONS ARE IN MILLIMETERS	Mod Date	06/05/2016	REVISION	Bend & Machine Number	
	Drawn Date:	05/04/2016	A-003		
SURFACE FINISH: Powder Coated		Material		DWG NO. <b>PLA4</b>	
DRAWN <b>Ricky Clark</b>		Gauge			
Unicol Engineering Green Road Oxford OX3 8EU				A4	

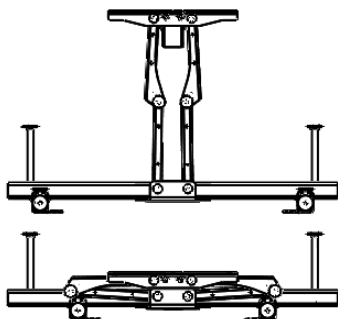
Bend V Tool

## INSTALLATION INSTRUCTIONS

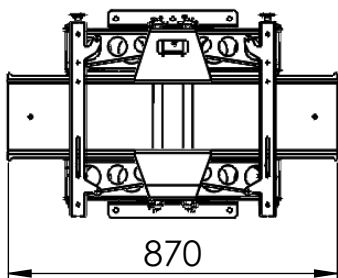
BOM Table

NO	Description	QTY.
1	Top Wall Bracket	1
2	Lower Wall Bracket	1
3	Screen Mount Rail	1
4	Left Screen Arm Heavy Duty	1
5	Right Screen Arm Heavy Duty	1
6	Sprung Catch	1
7	Depth adjust scw	2

Fully open



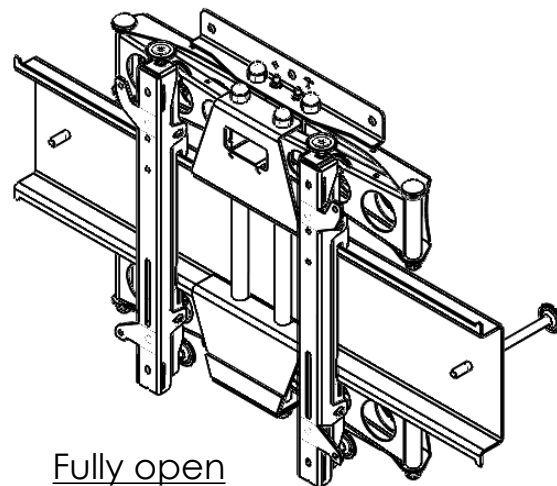
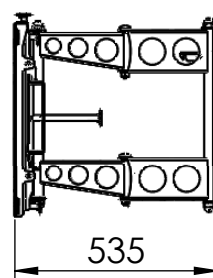
Closed



Closed



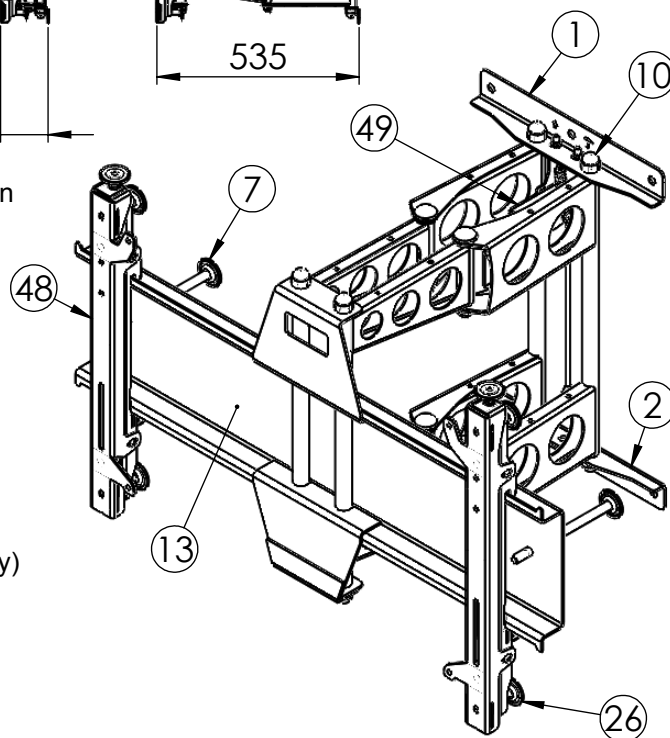
Fully open



### WARNING:

Ensure wall fixings are suitable for the load imposed by the mount and screen

1. Mark out position of fixing points on wall taking into consideration the required fixing position of screen.
2. Fix wall plates items ① & ② to wall using suitable fixings. (Fixings not supplied)
3. Route cables to approximate location avoiding any trap points.
4. Fit arms, items ④⑧ & ②⑥ to screen. Hook screen onto screen mount rail ③ and secure with clip at bottom rear of arm and centralise screen.
5. Adjust depth screws ⑬ left and right so that they meet the wall but still allow the catch to work. This prevents the screen from moving when touched on far left and right points (touch screen only)
6. Use adjuster screws on arms ④⑧ & ②⑥ to finely tune final position of screen
7. Fix cables in position using suitable ties and ensure swing arm moves through full range without trapping cables.



### Inspect the unit before installing

**Warning:** Watch for pinch points. Do not put your fingers between moveable parts. Do not tamper with or dis-assemble any spring loaded items.

1. Carefully inspect the unit for shipping damage. If any damages apparent, call Unicol on number below.
2. Lay out components to ensure you have all the required parts before proceeding (see parts list).

**Caution:** To prevent damage to the unit, study all instructions and illustrations before you begin the installation. Failure to do so could render the warranty for the unit and the equipment that attaches to it null and void. Pay particular attention to the “warnings” displayed in these instructions.

We recommend installation by a qualified tradesperson. If you have any questions about the installation, contact Unicol, (uk +44 (0) 1865 767676) (europe +49 (0) 9131 9405 8013).