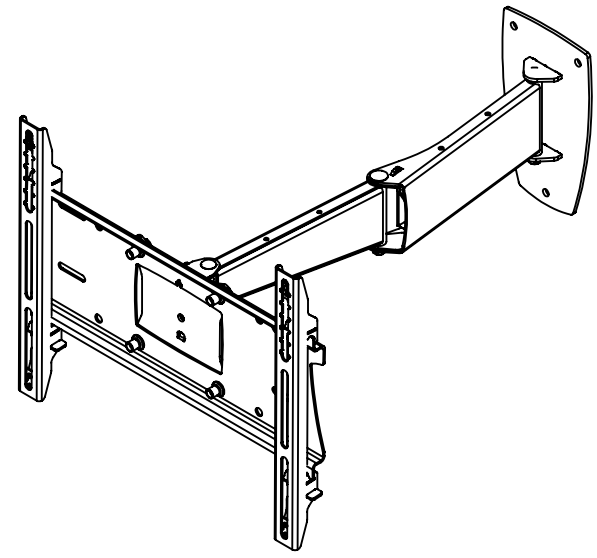
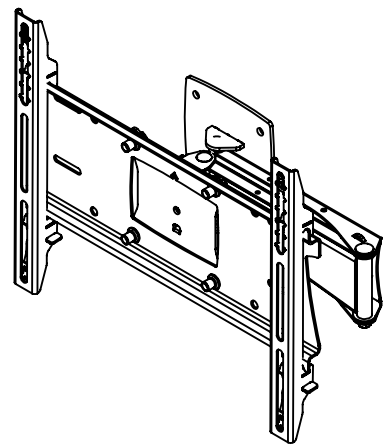
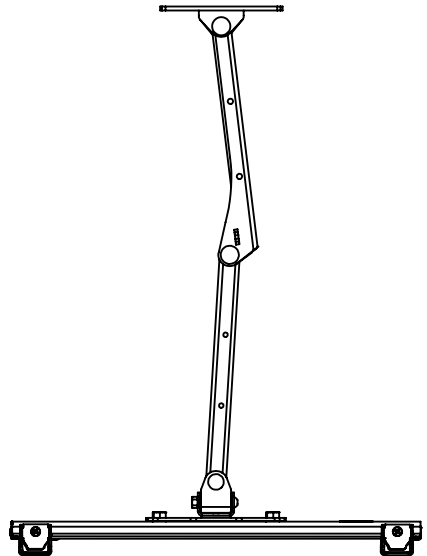
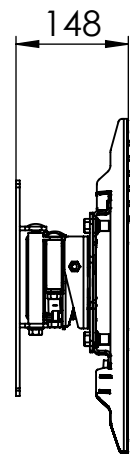
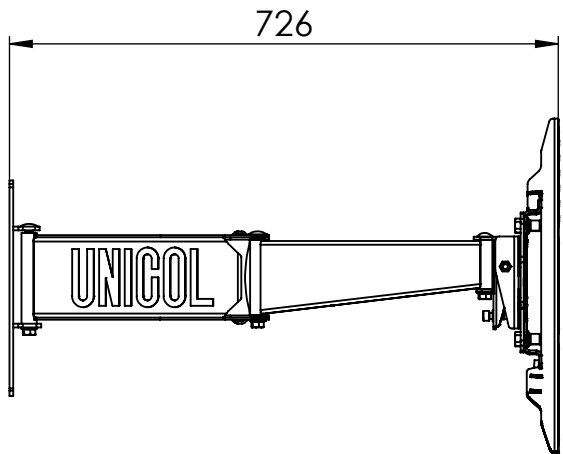
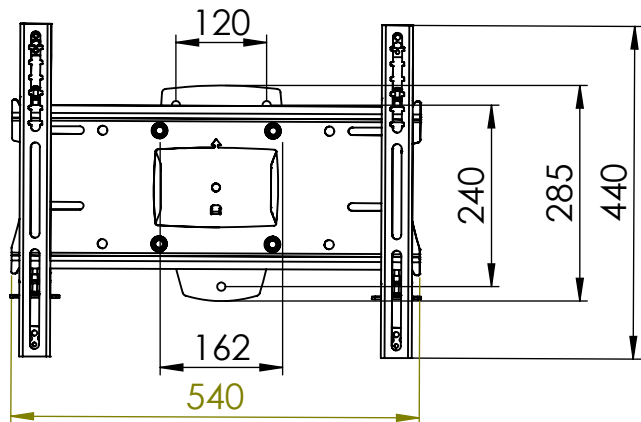


Fixing Kit

Universal Fixing Kit



Bend Tool

Description		Pla1pzx3 Pla With Pzx3 Universal Tilting Mount		
UNLESS OTHERWISE SPECIFIED: DIMENSIONS ARE IN MILLIMETERS		Mod Date	19/01/2018	REVISION
SURFACE FINISH: Powder Coated		Drawn Date:	24/03/2011	A-004
DRAWN Ricky Clark		Material		
Unicol Engineering Green Road Oxford OX3 8EU		Gauge		
		DWG NO.		Ass--20011535
		WEIGHT:		Kg
		SCALE:1:10	DO NOT SCALE DRAWING	SHEET 1 OF 1

A4