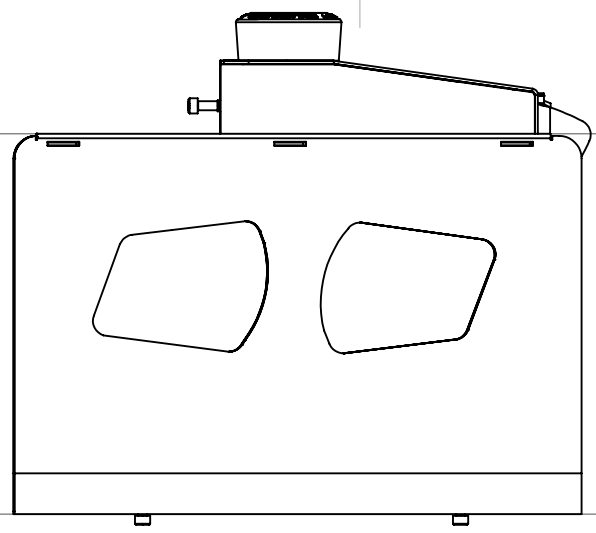
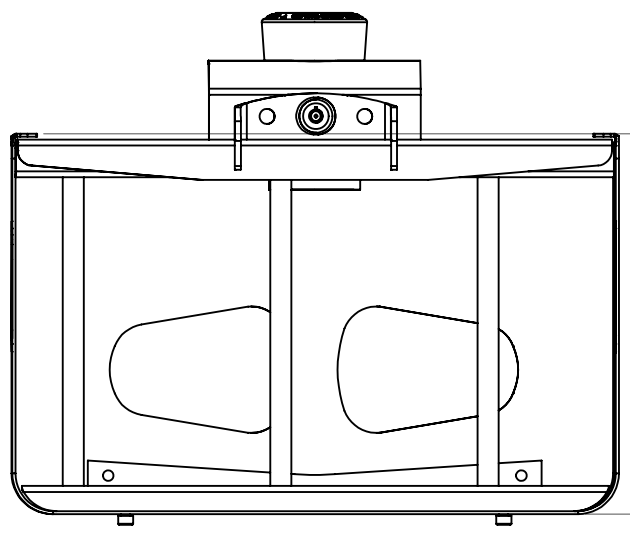


1 2 3 4 5 6

A

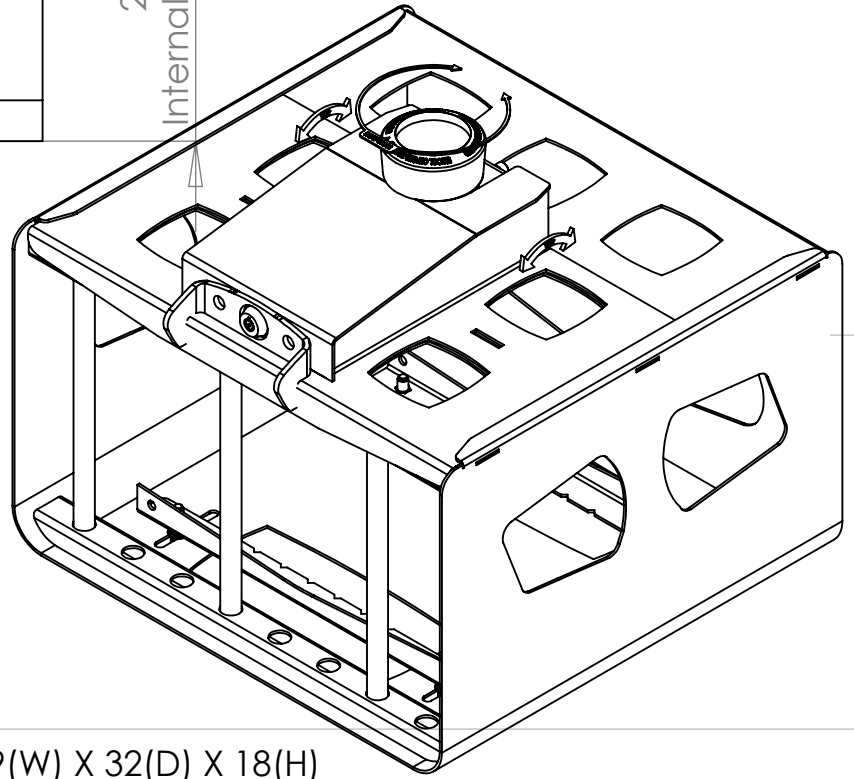
A



252mm  
Internal Dims 180mm

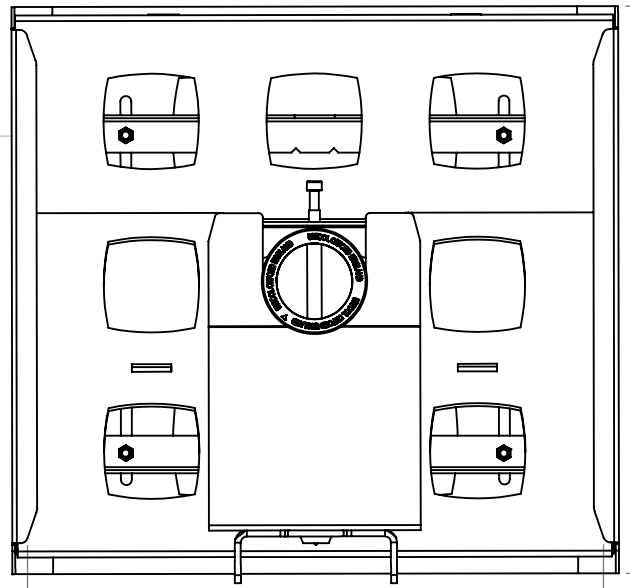
B

B



C

C



375mm  
Internal Dims 320mm

390 mm Internalmm  
Internal Dims 390mm

D

Bend Tool

Description		PgX Guardbox 39(W) X 32(D) X 18(H)			
UNLESS OTHERWISE SPECIFIED: DIMENSIONS ARE IN MILLIMETERS		Mod Date	08/03/2016	REVISION	Bend & Machine Number
SURFACE FINISH: Powder Coated		Drawn Date:	04/06/2007	A-007	
DRAWN	Ricky Clark	Material			DWG NO.
Unicol Engineering Green Road Oxford OX3 8EU		Gauge			
WEIGHT:		Kg		SCALE:1:5	DO NOT SCALE DRAWING

PGX

A4

SHEET 1 OF 2

1

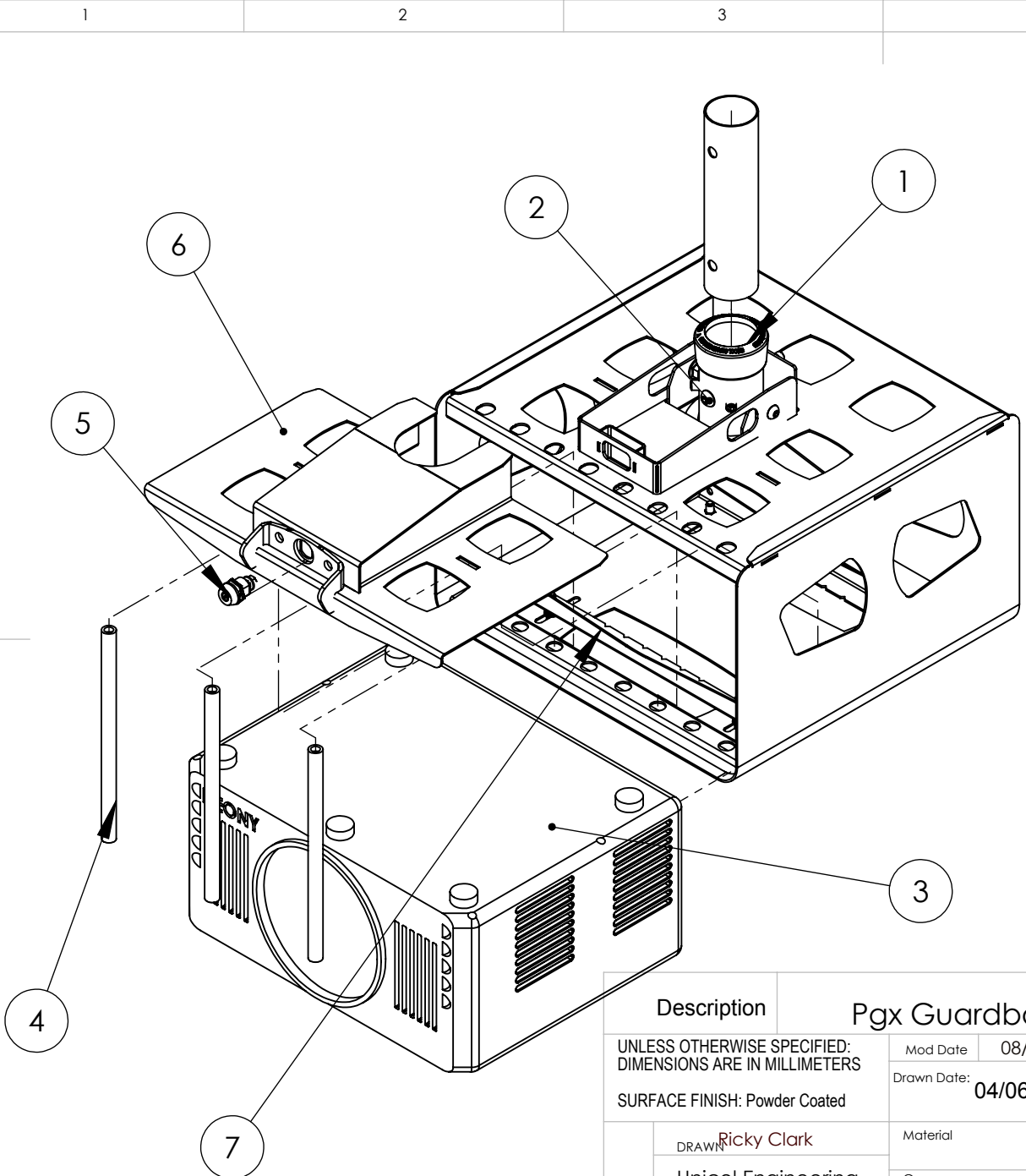
2

3

SCALE:1:5

DO NOT SCALE DRAWING

SHEET 1 OF 2



**Installation**

1. Remove (6) , (5) , (4) to allow installation
2. Lift unit into place fitting the socket assembly (1) to the suspended column
3. Fit through bolt (2) and pinch column using the socket set screws
4. Install the projector keeping it far enough back to clear the security rods (4)
5. Fit security rods (4) which drop into place from above, use spacing that won't interfere with the lens on the projector
6. Slide cover plate (6) into place with the lock (5) removed
7. Refit the lock (5)
8. Adjust height and level using screws on base (7)

Description		Pgx Guardbox 39(W) X 32(D) X 18(H)		
UNLESS OTHERWISE SPECIFIED: DIMENSIONS ARE IN MILLIMETERS	Mod Date	08/03/2016	REVISION	Bend & Machine Number
	Drawn Date:	04/06/2007	A-007	
SURFACE FINISH: Powder Coated	DRAWN Ricky Clark		Material	DWG NO. <b>PGX</b>
Unicol Engineering Green Road Oxford OX3 8EU	Gauge			

Bend V Tool

A4