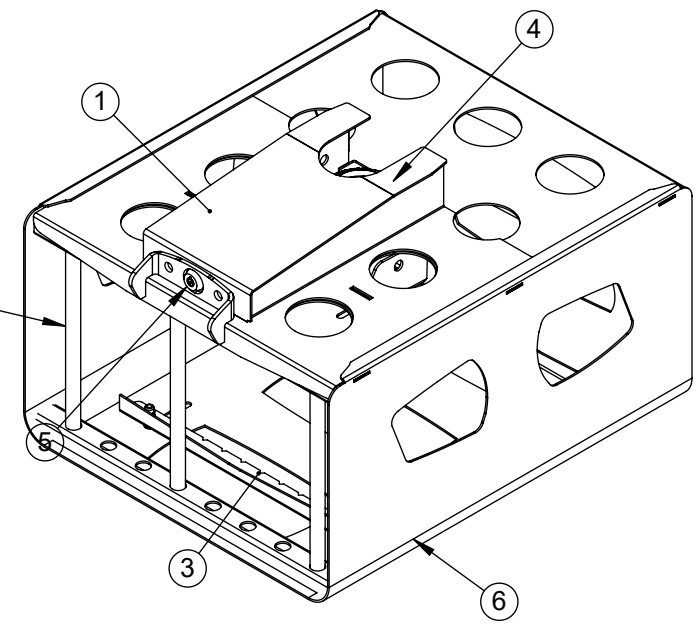
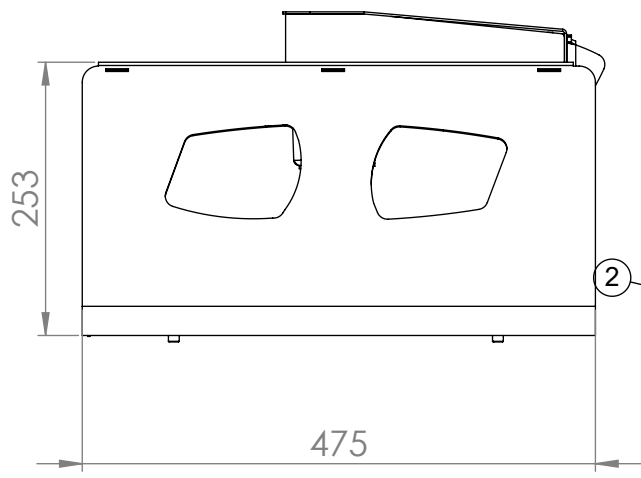
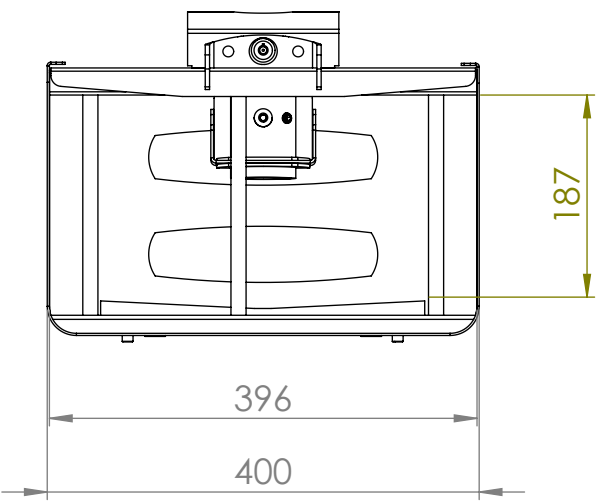


1 2 3 4 5 6

A

A

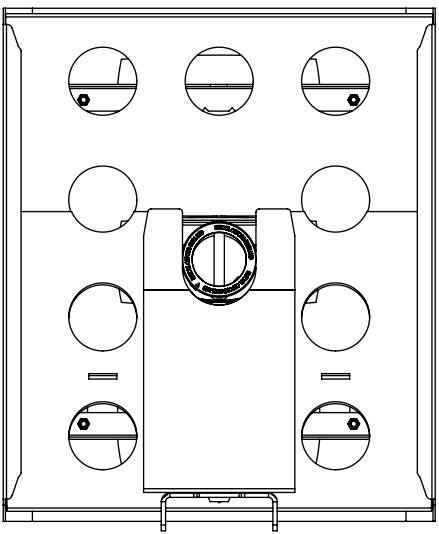


B

B

C

C



D

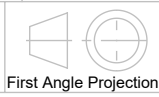
D

1 2 3 4 5 6

BOM Table			
NO	Part Number	Description	QTY.
1	Ass--20002144	PGS Lock Slider Plate	1
2	Ass--20002137	24Cm Height Security Bar	3
3	Ass--20002136	PGL Projector Jacking Support 250 centres	2
4	Ass--20002135	PG Swivel Tilt Assembly	1
5	Ass--20001751	Standard Barrel Lock - Standard	1
6	Ass--20001502	Pgs 40(W) X 43(D) X 18(H)	1

Description		Pgs 40(W) X 43(D) X 18(H)	
UNLESS OTHERWISE SPECIFIED: DIMENSIONS ARE IN MILLIMETRES		Modified Date: 15 November 2024 Created Date: 15 May 2007	DRW - REV REV - C-020
SURFACE FINISH: Powder Coat		Bend Tool:	
Created By Ricky Clark		Material:	Part Number & Part Revision Ass--20002145 REV- C-020
Unicol Engineering Green Road Oxford OX3 8EU		Gauge:	

See Below - Special Notes



Part Number & Part Revision
Ass--20002145 REV- C-020