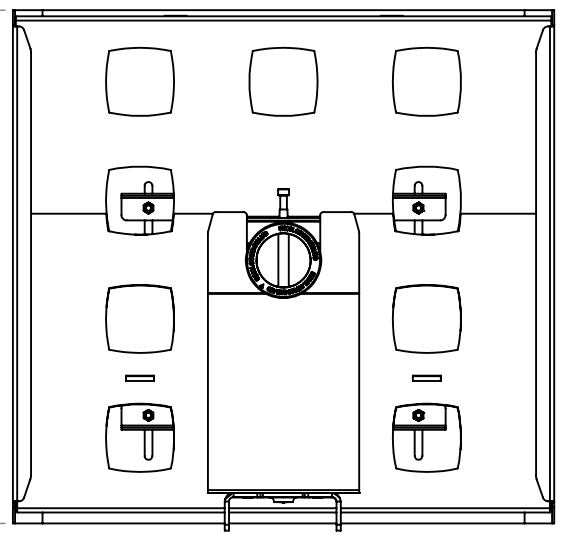
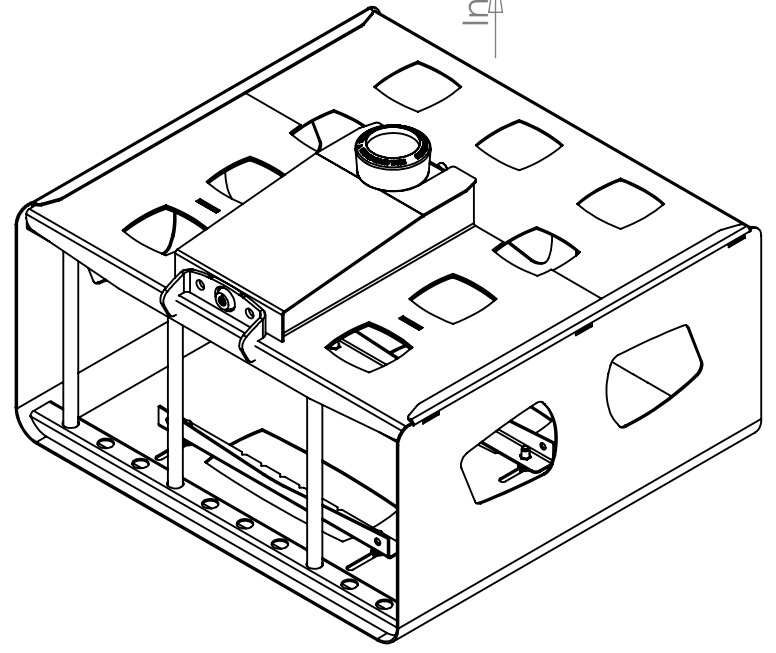


252mm
Internal Dims 180mm



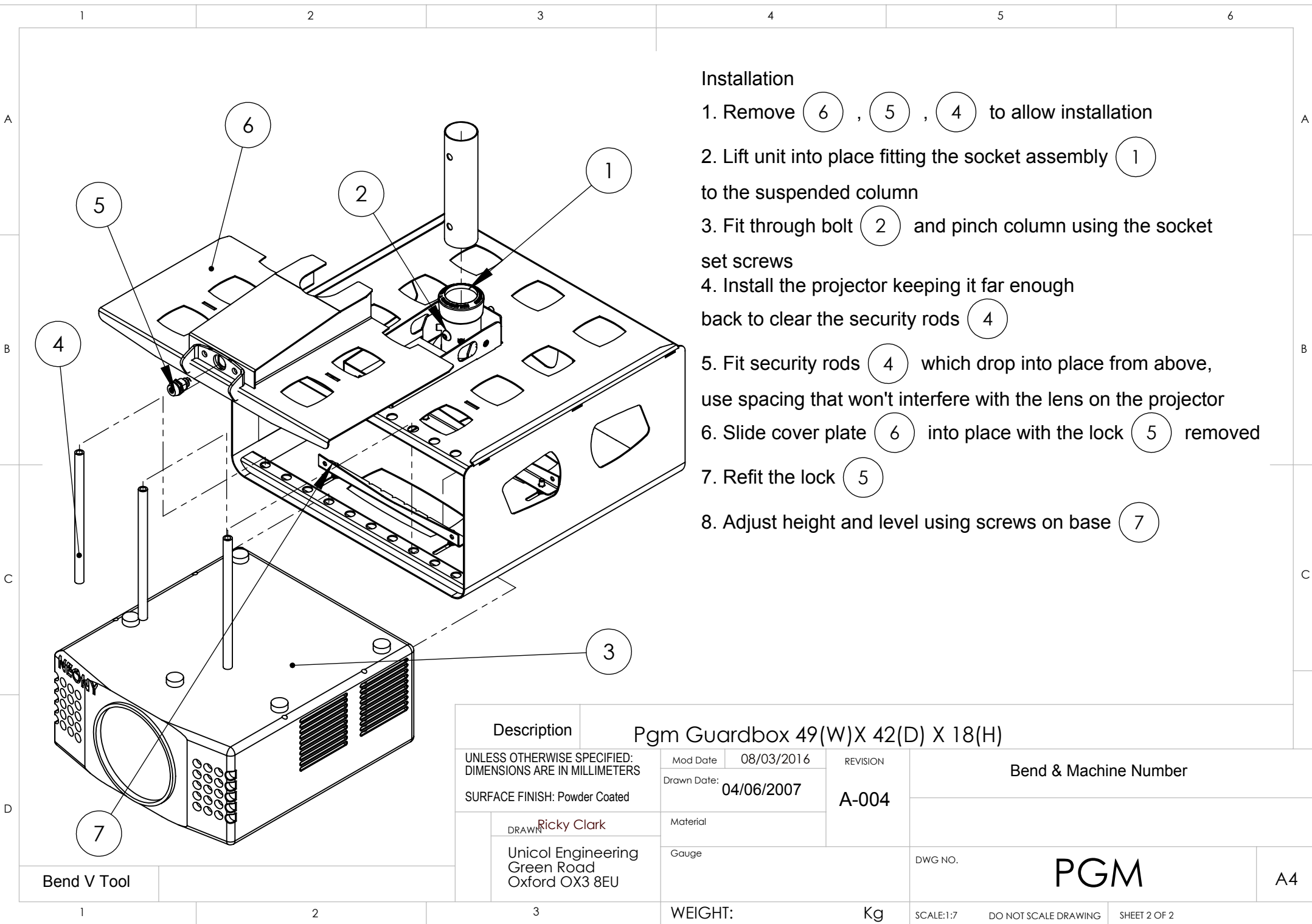
475mm
Internal Dims 420mm



Description		Pgm Guardbox 49(W)X 42(D) X 18(H)			
UNLESS OTHERWISE SPECIFIED: DIMENSIONS ARE IN MILLIMETERS		Mod Date	08/03/2016	REVISION	Bend & Machine Number
SURFACE FINISH: Powder Coated		Drawn Date:	04/06/2007	A-004	
DRAWN	Ricky Clark	Material			
Unicol Engineering Green Road Oxford OX3 8EU		Gauge		DWG NO.	PGM
WEIGHT:			Kg	SCALE:1:7	DO NOT SCALE DRAWING
				SHEET 1 OF 2	

Bend Tool

A4



Installation

1. Remove (6) , (5) , (4) to allow installation
2. Lift unit into place fitting the socket assembly (1) to the suspended column
3. Fit through bolt (2) and pinch column using the socket set screws
4. Install the projector keeping it far enough back to clear the security rods (4)
5. Fit security rods (4) which drop into place from above, use spacing that won't interfere with the lens on the projector
6. Slide cover plate (6) into place with the lock (5) removed
7. Refit the lock (5)
8. Adjust height and level using screws on base (7)

Description		Pgm Guardbox 49(W)X 42(D) X 18(H)		
UNLESS OTHERWISE SPECIFIED: DIMENSIONS ARE IN MILLIMETERS	Mod Date	08/03/2016	REVISION	Bend & Machine Number
	Drawn Date:	04/06/2007	A-004	
SURFACE FINISH: Powder Coated	DRAWN Ricky Clark		Material	DWG NO. PGM
	Unicol Engineering Green Road Oxford OX3 8EU		Gauge	
WEIGHT:		Kg	SCALE:1:7	DO NOT SCALE DRAWING
			SHEET 2 OF 2	

Bend V Tool

A4