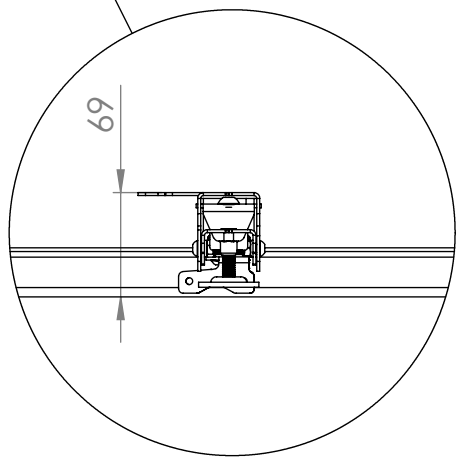
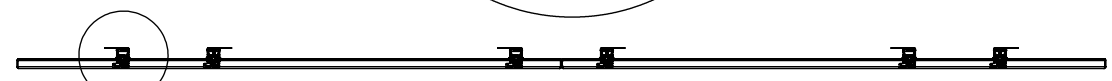
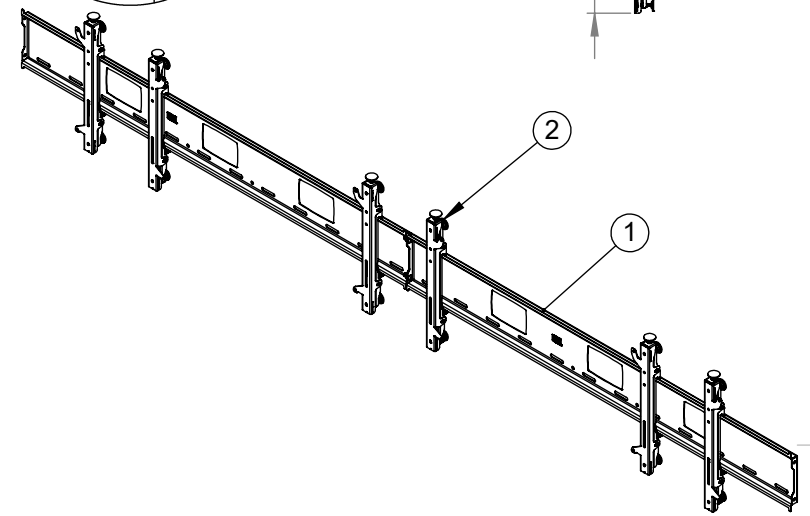
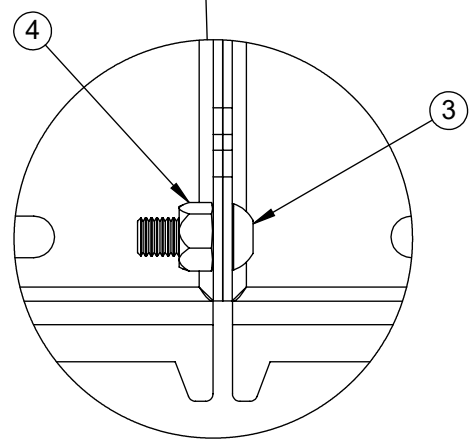
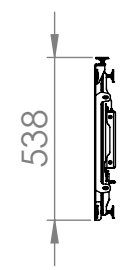
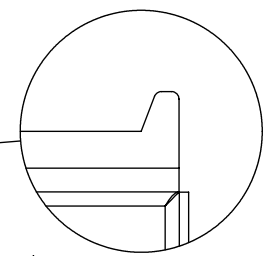
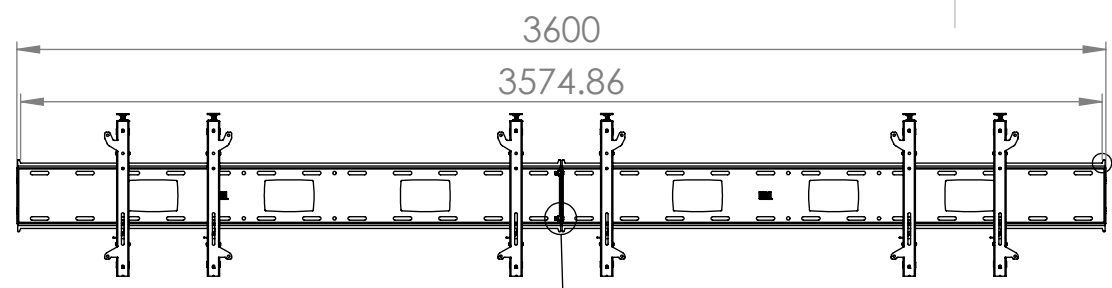


1 2 3 4 5 6



BOM Table			
NO	Part Number	Description	QTY.
1	Ass--20018481	Md2u Pzaa Compatible Back Plate 180Cm	2
2	Ass--20018757	Vwa3 - Vwa1 - Left And Right Arms Landscape	3
3	BH-MET-10X25-HT-BO	Button Head Screw M10 X 25 (High Tensile Black Oxide)	2
4	SN-MET-10-HT-CZN	Stover Nut M10 (High Tensile Bright Zinc Plated Clear Passivated)	2

Description		Screen rail multi - display MBW355	
UNLESS OTHERWISE SPECIFIED: DIMENSIONS ARE IN MILLIMETERS	Created By Dennis Neale	Material:	DRW - REV REV - A-002
	Unicol Engineering Green Road Oxford OX3 8EU	Gauge:	
SURFACE FINISH: Powder Coated		See Below - Special Notes	
Saved Date: 04 February 2022 Created Date: 02 September 2021 Bend Tool:		Part Number & Part Revision ASS--20053627 REV - A-002	
WEIGHT: 25.11		Kg	SCALE:1:25 DO NOT SCALE DRAWING SHEET 1 OF 1

1 2 3 4 5 6