

1

2

3

4

ITEM NO.	PART NUMBER	DESCRIPTION	QTY.
1	Ass--20001506	CP1 Ceiling Plate 16cm x 16cm	1
2	Ass--20002210	Universal Gyrolock Adapter Compact GKE	1
3	Ass--20004640	Column 2000 MSU-PSU Punch	1

A

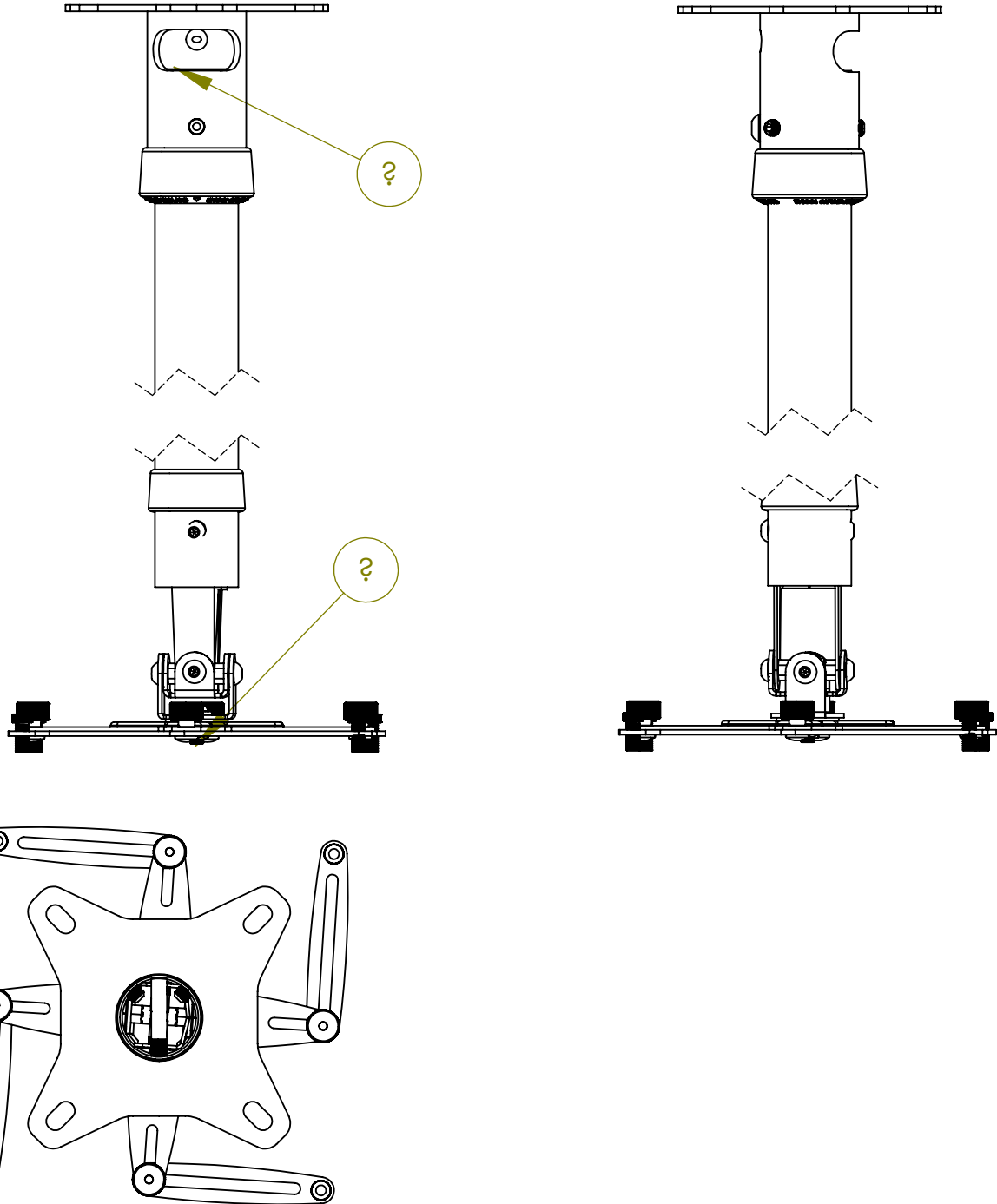
B

C

D

E

F



Unicol Engineering Green Road Headington Oxford OX3 8EU		FINISH:		TITLE: GKE4 - 2000 - CP1 KPR120C	
REVISION	A-003	Drawn Date	Note		
Drawn By	Ricky Clark	25/05/07	MATERIAL:	DWG NO.	
UNLESS OTHERWISE SPECIFIED: DIMENSIONS ARE IN MILLIMETERS SURFACE FINISH: Powder Coated			Ass--20002581		A4
			SCALE:1:4	DO NOT SCALE DRAWING	SHEET 1 OF 1