

1 2 3 4 5 6

A

A

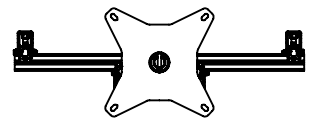
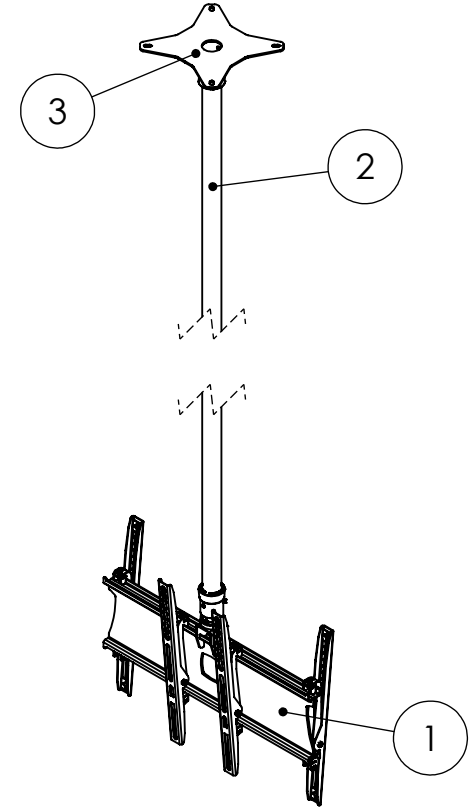
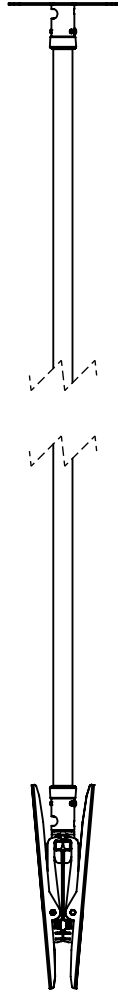
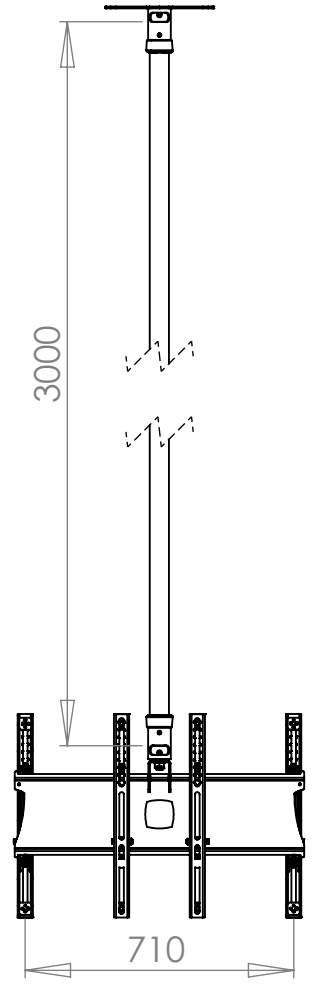
B

B

C

C

D



BOM Table			
NO	Part Number	Description	QTY.
1	Ass--20001631	KPL Type 1 Back To Back Plasma KPL1	1
2	3000C	3000 Column Ceiling Suspended (Standard)	1
3	Ass--20001504	CP2 Ceiling Plate 30X30cm	1

Description		Kp130db Type 1 Twin Screen Plasma Kpl1 - Cp2 - 3000	
UNLESS OTHERWISE SPECIFIED: DIMENSIONS ARE IN MILLIMETERS	Created By	System Administrator	DRW - REV REV - A-006
	Created By	System Administrator	
SURFACE FINISH: Powder Coated	Material:		See Below - Special Notes
	Gauge:		
Created By	System Administrator	Unicol Engineering Green Road Oxford OX3 8EU	Part Number & Part Revision Ass--20013728 REV - A-006

1 2 3 4 5 6 WEIGHT: 22.57 Kg SCALE:1:20 DO NOT SCALE DRAWING SHEET 1 OF 1