

1

2

3

4

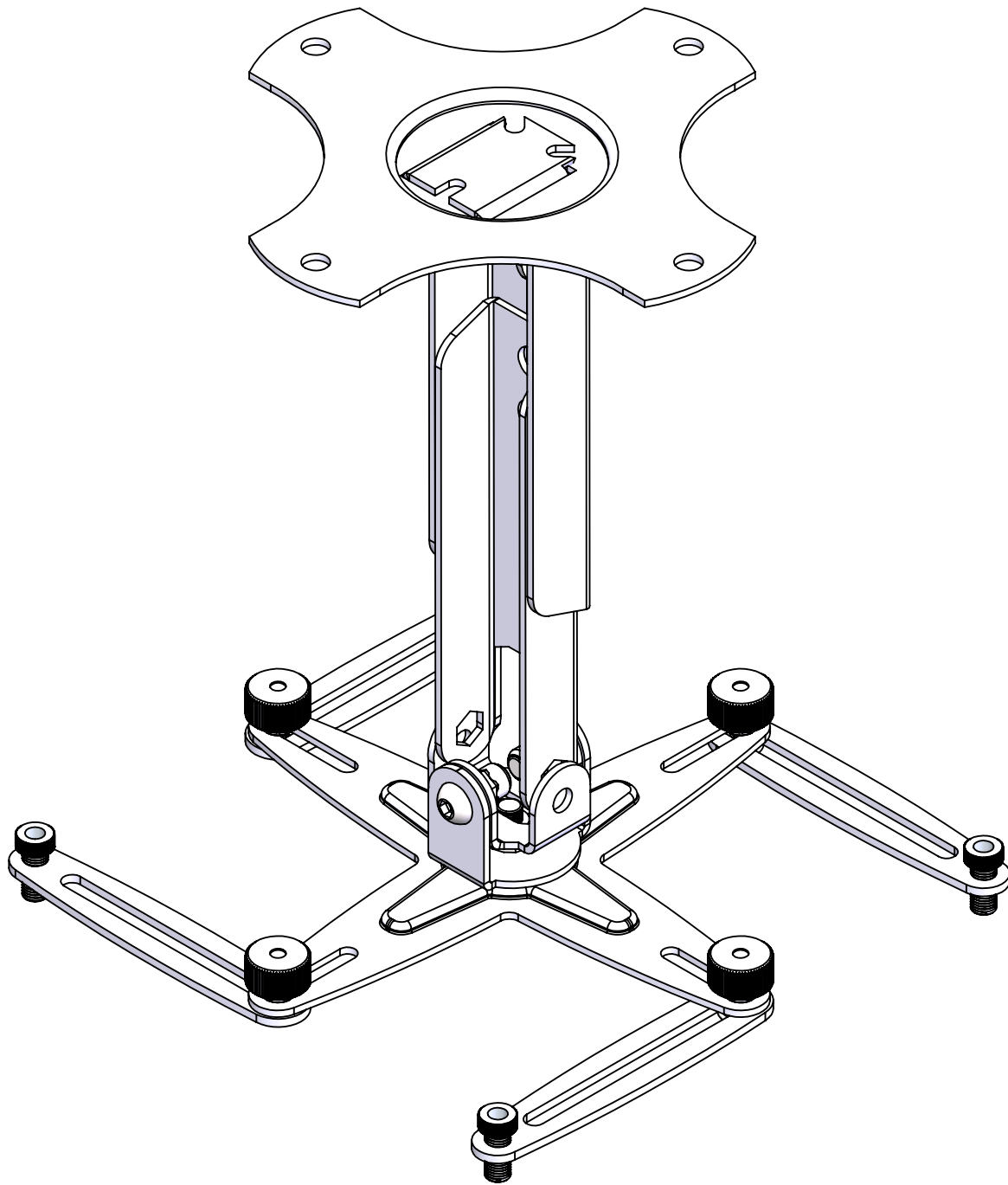
A

B

C

D

E



F

Unicol Engineering Green Road Oxford OX3 8EU		Material		Description: GKE1 Budget Universal Gyrolock 23 to 30 cm	
REVISION	A-003	Drawn Date	24/08/2021	Bend & Machine Number:	
Drawn By	Ricky Clark	22/04/2009	Gauge:	DWG NO.	Ass--20006553
UNLESS OTHERWISE SPECIFIED: DIMENSIONS ARE IN MILLIMETER SURFACE FINISH: Powder Coated			WEIGHT: 1.481.48	SCALE:1:2	
			KG	DO NOT SCALE DRAWING	SHEET 1 OF 1