

Bend Tool

Description		Gkt3u Projector Mount 70 To 120Cm With Universal Mount			
UNLESS OTHERWISE SPECIFIED: DIMENSIONS ARE IN MILLIMETERS	Mod Date	18/03/2016	REVISION	Bend & Machine Number	
	Drawn Date:	25/01/2007	A-007		
SURFACE FINISH: Powder Coated	DRAWN	Ricky Clark	Material	DWG NO. <b>GKT3U</b>	
	Unicol Engineering Green Road Oxford OX3 8EU		Gauge		
WEIGHT:		Kg		SCALE:1:10	DO NOT SCALE DRAWING
				SHEET 1 OF 3	

1 2 3 4 5 6

A

A

B

B

C

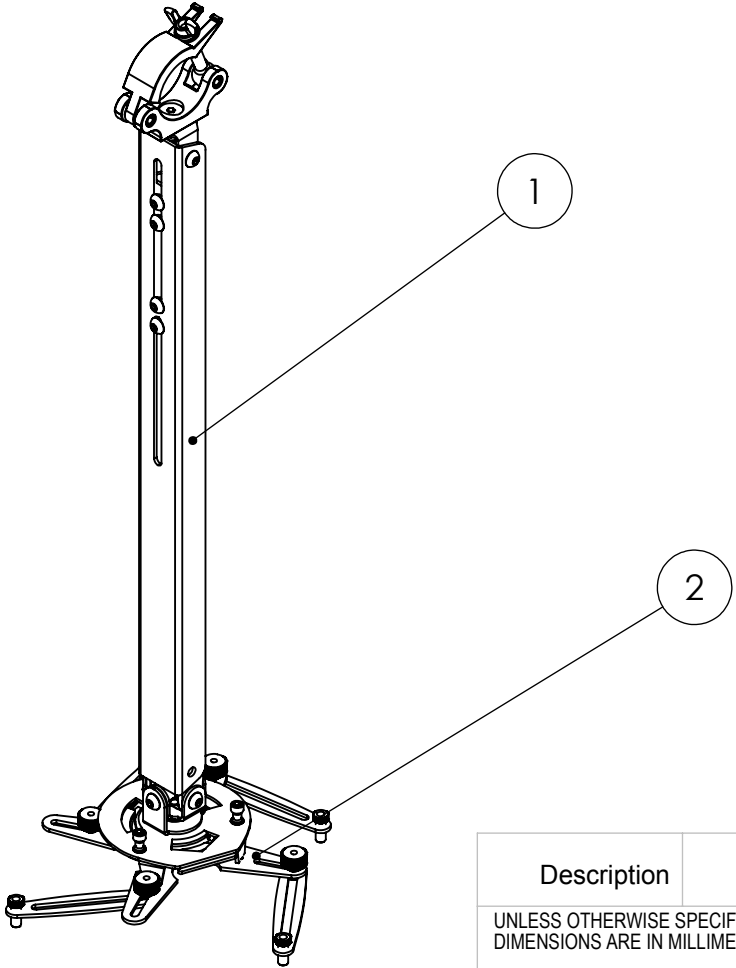
C

D

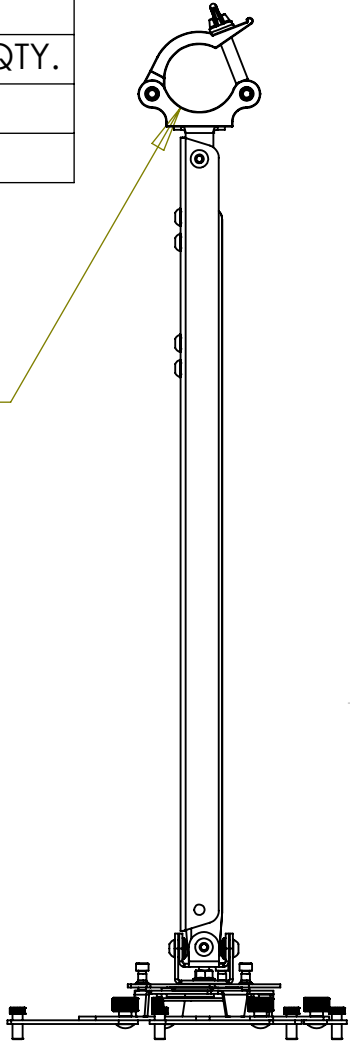
1 2 3 4 5 6

BOM Table

ITEM NO.	PART NUMBER	Description	Default/QTY.
1	GKT3	Gkt3 Truss Clamp Projector Mount 70 To 120Cm	1
2	GAPU	Universal Gyrolock Adapter Plate	1

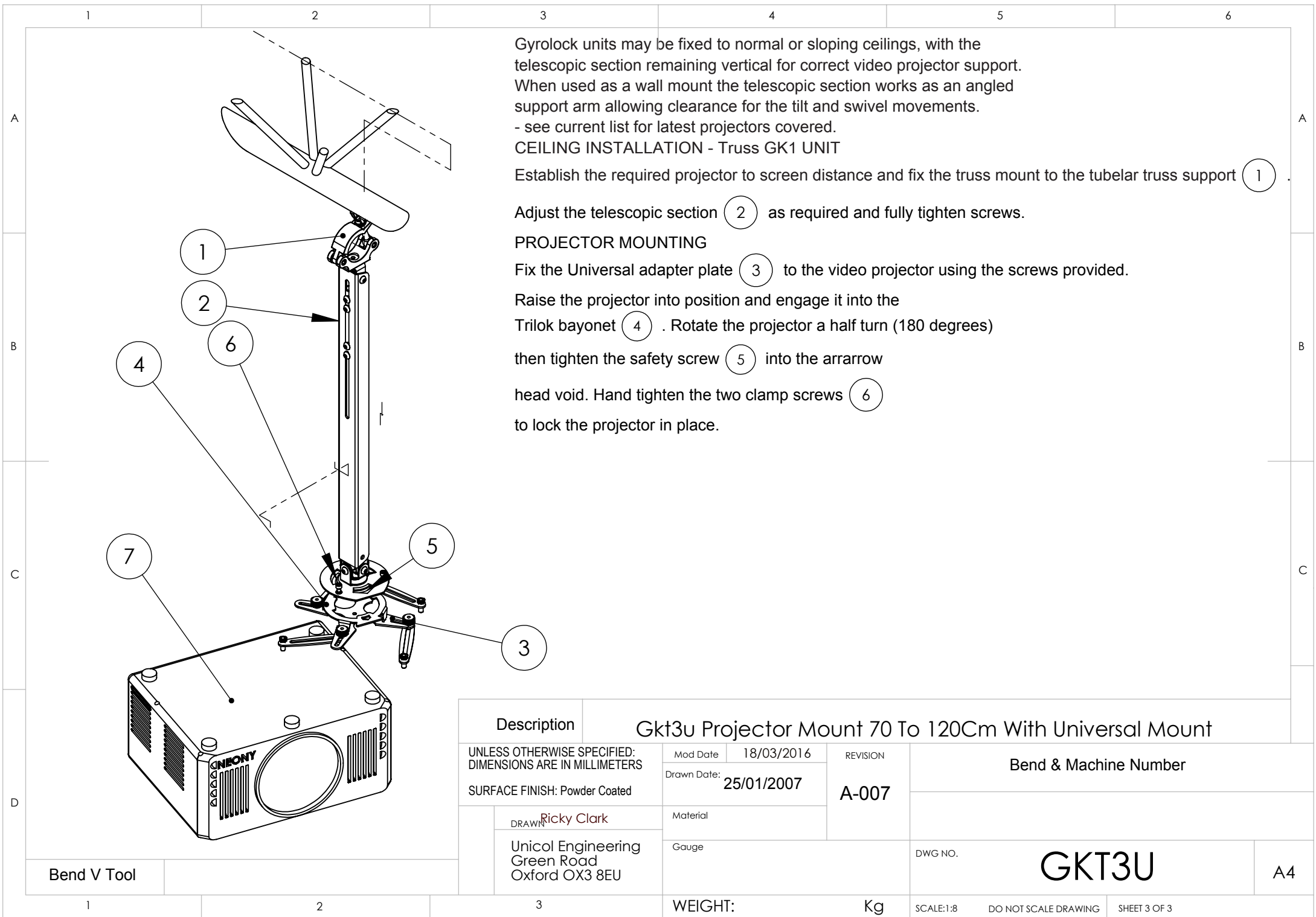


TRUE  $\phi$  60



Description		Gkt3u Projector Mount 70 To 120Cm With Universal Mount			
UNLESS OTHERWISE SPECIFIED: DIMENSIONS ARE IN MILLIMETERS	Mod Date	18/03/2016	REVISION	Bend & Machine Number	
	Drawn Date:	25/01/2007	A-007		
SURFACE FINISH: Powder Coated	DRAWN <b>Ricky Clark</b>		Material	DWG NO. <b>GKT3U</b>	
	Unicol Engineering Green Road Oxford OX3 8EU		Gauge		

Bend V Tool



Gyrolock units may be fixed to normal or sloping ceilings, with the telescopic section remaining vertical for correct video projector support. When used as a wall mount the telescopic section works as an angled support arm allowing clearance for the tilt and swivel movements. - see current list for latest projectors covered.

**CEILING INSTALLATION - Truss GK1 UNIT**

Establish the required projector to screen distance and fix the truss mount to the tubular truss support (1).

Adjust the telescopic section (2) as required and fully tighten screws.

**PROJECTOR MOUNTING**

Fix the Universal adapter plate (3) to the video projector using the screws provided.

Raise the projector into position and engage it into the Trilok bayonet (4). Rotate the projector a half turn (180 degrees) then tighten the safety screw (5) into the arrow head void. Hand tighten the two clamp screws (6) to lock the projector in place.

Description		Gkt3u Projector Mount 70 To 120Cm With Universal Mount			
UNLESS OTHERWISE SPECIFIED: DIMENSIONS ARE IN MILLIMETERS	Mod Date	18/03/2016	REVISION	Bend & Machine Number	
	Drawn Date:	25/01/2007	A-007		
SURFACE FINISH: Powder Coated	DRAWN <b>Ricky Clark</b>		Material	DWG NO. <b>GKT3U</b>	
	Unicol Engineering Green Road Oxford OX3 8EU		Gauge		
WEIGHT:		Kg		SCALE:1:8	DO NOT SCALE DRAWING
				SHEET 3 OF 3	

Bend V Tool

A4