

1 2 3 4 5 6

A

B

C

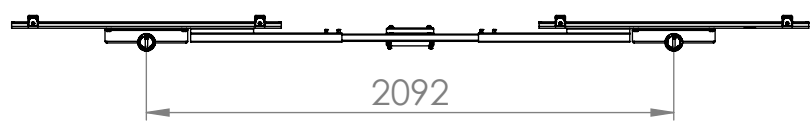
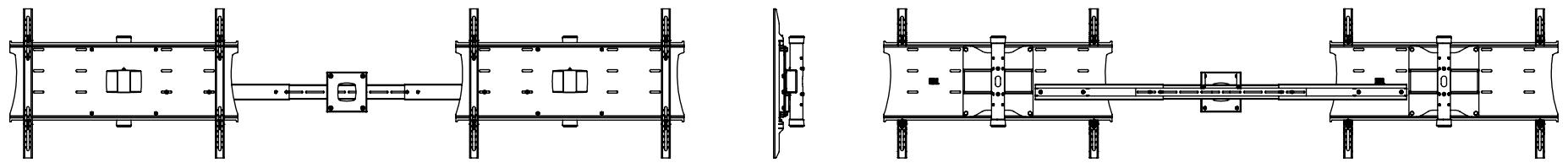
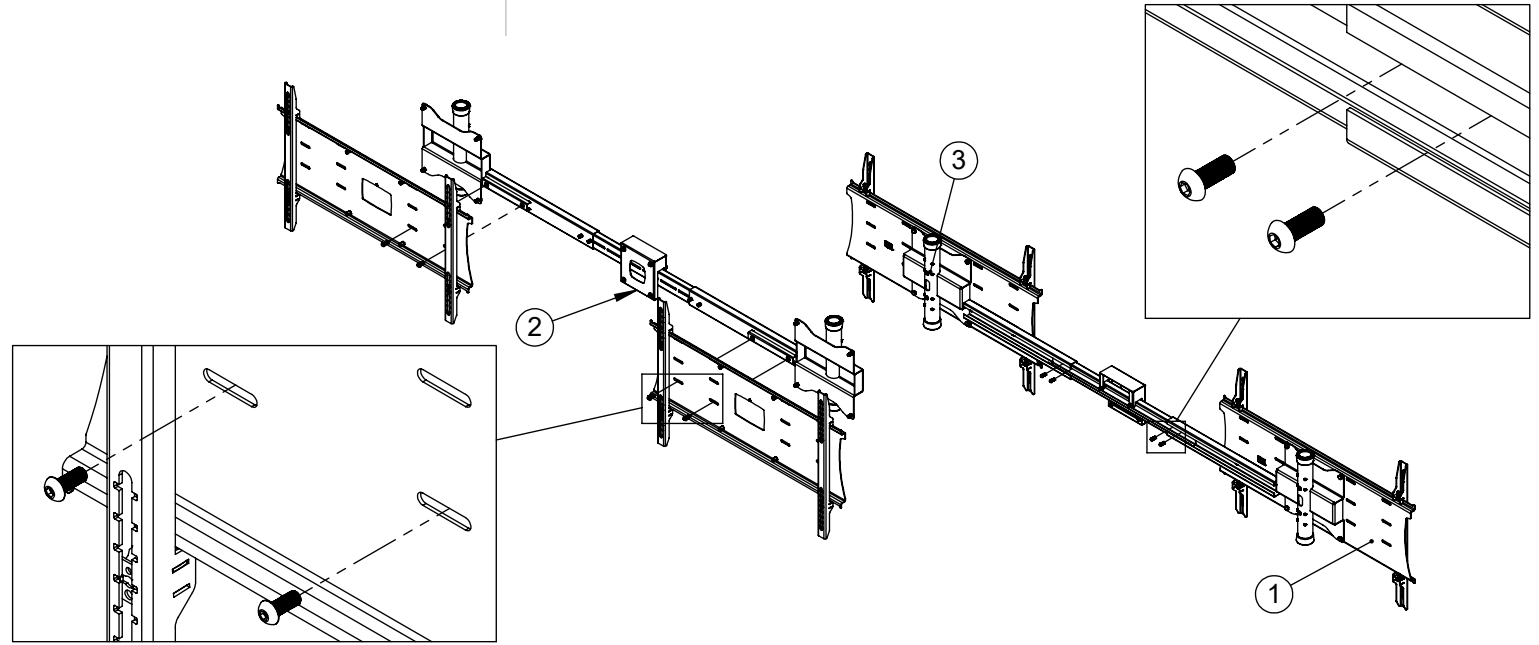
D

A

B

C

D



BOM Table			
NO	Part Number	Description	QTY.
1	Ass--20025128	PZX9 Universal Flat Mount 900 X 600	2
2	ASS--20051586	Adjustable span bar 71 to 100 inch with VCM mount	1
3	ASS--20051542	Ps3v3 - Vs Type Through Socket Adaptor - 30 X 30	2

Description		Adjustable span bar	
UNLESS OTHERWISE SPECIFIED: DIMENSIONS ARE IN MILLIMETERS	Created By Andrew Griffiths	Material:	DRW - REV REV - A-004
	Unicol Engineering Green Road Oxford OX3 8EU	Gauge:	
Saved Date: 31 March 2022 Created Date: 01 September 2021 Bend Tool:		See Below - Special Notes	
SURFACE FINISH: Powder Coated		Part Number & Part Revision	
		ASS--20051540 REV - A-004	

1 2 3 WEIGHT: 41.81 Kg SCALE:1:30 DO NOT SCALE DRAWING SHEET 1 OF 1