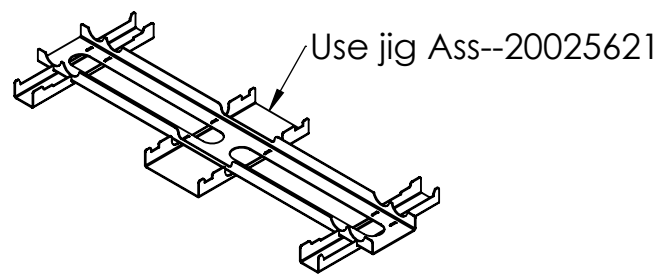
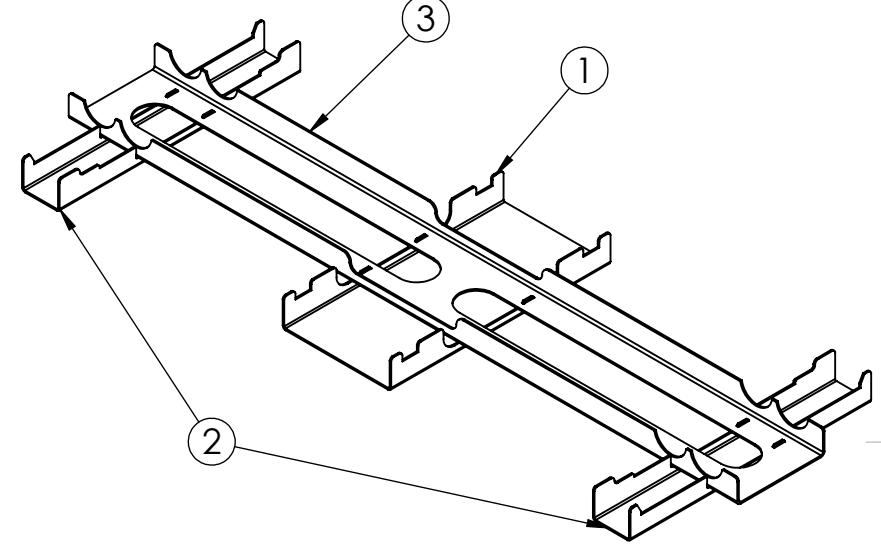
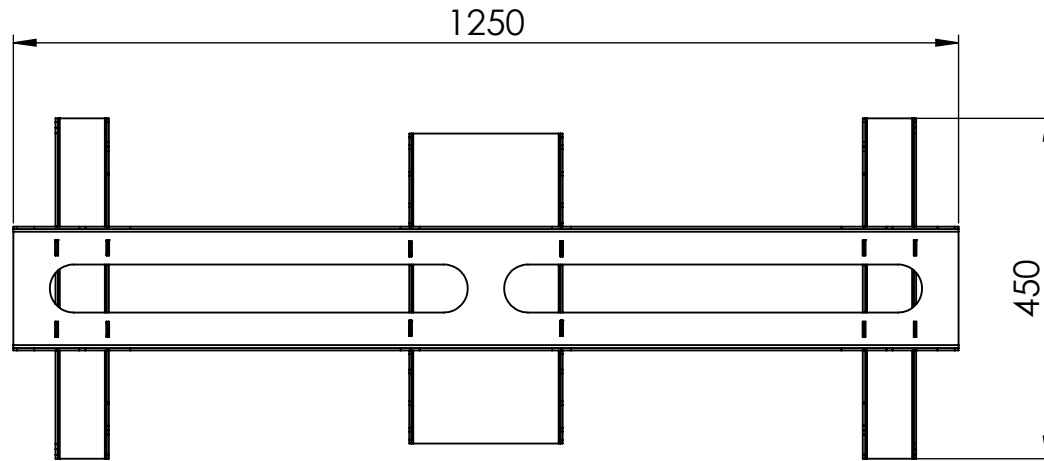
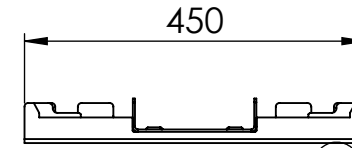
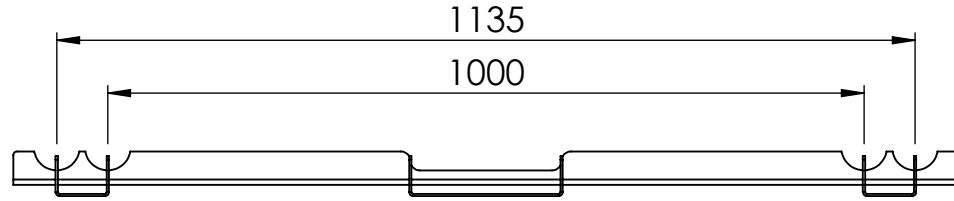


BOM Table			
NO	Part Number	Description	QTY.
1	ASS--20052951	FCS4 back plate and sockets	1
2	Ass--20025139	Pzx9 - Pozimount End Arm Type 9	2



Description		FCS4 PZX9 Twin Socket Gantry 1135Mm Centres	
UNLESS OTHERWISE SPECIFIED: DIMENSIONS ARE IN MILLIMETERS	Saved Date: 22 October 2024	DRW - REV REV - A-014	See Below - Special Notes
	Created Date: 22 October 2024		
SURFACE FINISH: Powder Coated	Bend Tool:		
Created By Andrew Griffiths	Material:		
Unicol Engineering Green Road Oxford OX3 8EU	Gauge:	Part Number & Part Revision Ass--20025642 REV - A-014	



BOM Table			
NO	Part Number	Description	QTY.
1	PAR--20043092	PZX Gantry Jig Centre plate	1
2	PAR--20043087	Gantry Screen Rail Socket Jig Plate	2
3	Par--20038709	Gantry Screen Rail Socket Jig	1

Description		Gantry Screen Rail Socket Jig	
UNLESS OTHERWISE SPECIFIED: DIMENSIONS ARE IN MILLIMETERS	Created By Andrew Griffiths	Material:	DRW - REV REV - A-014
	SURFACE FINISH: Powder Coated	Gauge:	
	Unicol Engineering Green Road Oxford OX3 8EU		Part Number & Part Revision Ass--20025621 REV - A-014
		WEIGHT: 10.15 Kg	See Below - Special Notes