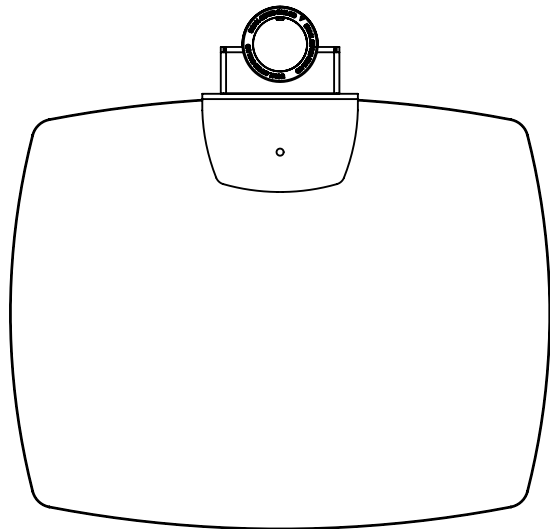
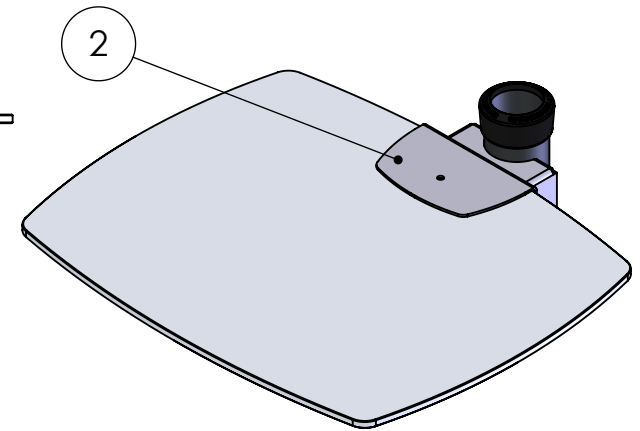
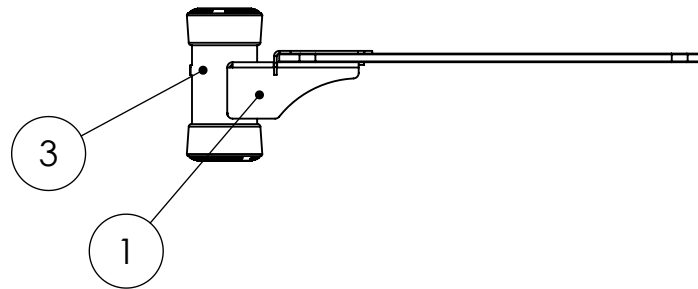
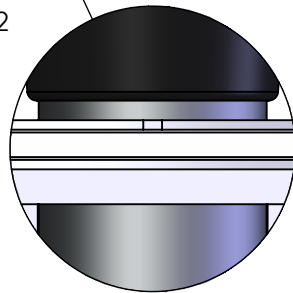


DETAIL B  
SCALE 1 : 2



ITEM NO.	PART NUMBER	Description	QTY.
1	Par--20004502	EGS Socket to Glass Support Plate	1
2	Par--20004513	Egs Single Column Glass Shelf Clamping Plate	1
3	Ass--20002023	5 inch Socket 1 Grub Screw and Caps Both Ends	1
4	Par--20004597	Axia Glass toughened Shelf 500 x 400	1

Description		Egs Single Column Glass Shelf 40 X 50	
UNLESS OTHERWISE SPECIFIED: DIMENSIONS ARE IN MILLIMETERS	Created Date: 23 August 2021	DRW - REV <b>REV - A-010</b>	See Below - Special Notes
	Created Date: 23 August 2021		
SURFACE FINISH: Powder Coated	Bend Tool:	Material:	Part Number & Part Revision
Created By System Administrator	Gauge:		
Unicol Engineering Green Road Oxford OX3 8EU		<b>Ass--20002450 REV - A-010</b>	
WEIGHT: 5.16		Kg	SCALE:1:7 DO NOT SCALE DRAWING SHEET 1 OF 1