

1 2 3 4 5 6

A

B

C

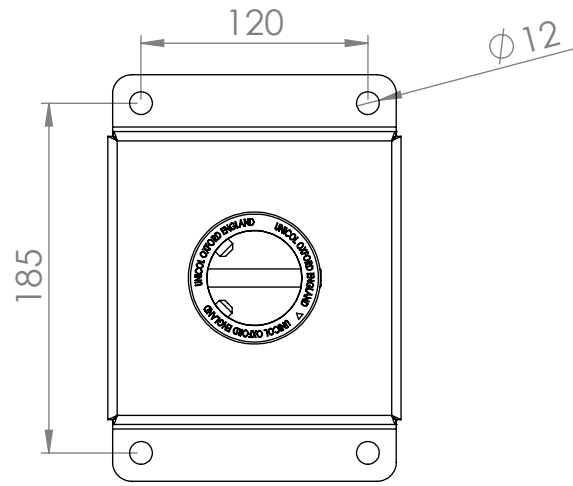
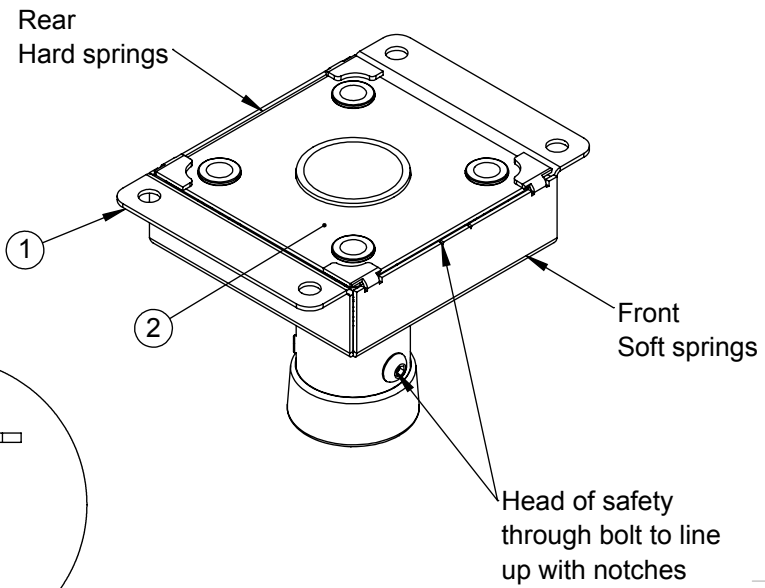
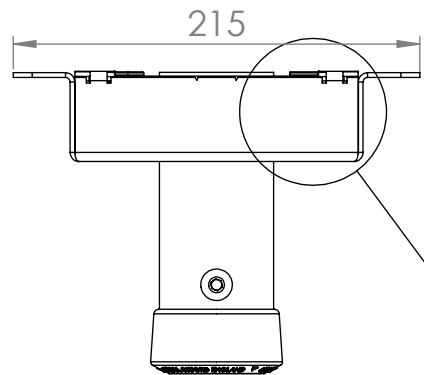
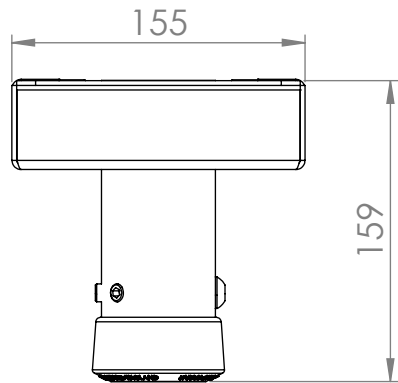
D

A

B

C

D



BOM Table			
NO	Part Number	Description	QTY.
1	Par--20020068	CPAV1 Anti Vibration Ceiling Plate Cover	1
2	ASS--20055078	Aniti Vibration socket plate springs	1

Description		CPAV1 anti vibration ceiling plate	
UNLESS OTHERWISE SPECIFIED: DIMENSIONS ARE IN MILLIMETERS	Created Date: 11 October 2022	DRW - REV <b>REV - A-015</b>	See Below - Special Notes
	Created Date: 11 October 2022		
SURFACE FINISH: Powder Coated	Bend Tool:	Material:	Part Number & Part Revision <b>Ass--20011627 REV - A-015</b>
Created By System Administrator	Gauge:		
Unicol Engineering Green Road Oxford OX3 8EU			

1 2 3 4 5 6 WEIGHT: 2.37 Kg SCALE:1:4 DO NOT SCALE DRAWING SHEET 1 OF 1