

Bend Tool

Description		Cp1 Ceiling Plate 16Cm X 16Cm			
UNLESS OTHERWISE SPECIFIED: DIMENSIONS ARE IN MILLIMETERS		Mod Date	23/01/2017	REVISION	Bend & Machine Number
SURFACE FINISH: Powder Coated		Drawn Date:	01/02/2007	A-097	
DRAWN	Specials Three	Material			DWG NO.
Unicol Engineering Green Road Oxford OX3 8EU		Gauge			
		WEIGHT: 1093.80	Kg	SCALE:1:2	DO NOT SCALE DRAWING
				SHEET 1 OF 4	

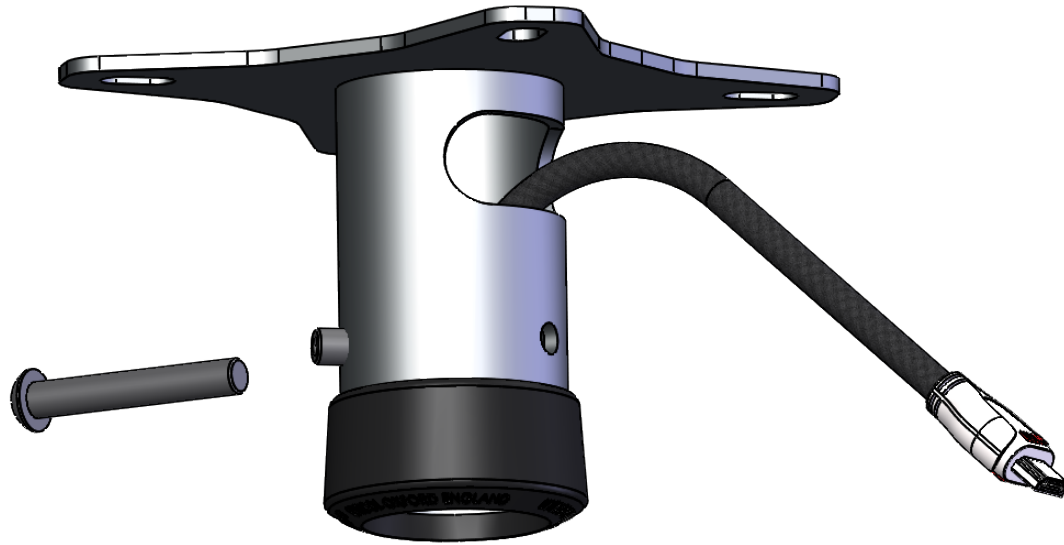
Bend & Machine Number

A-097

DWG NO.

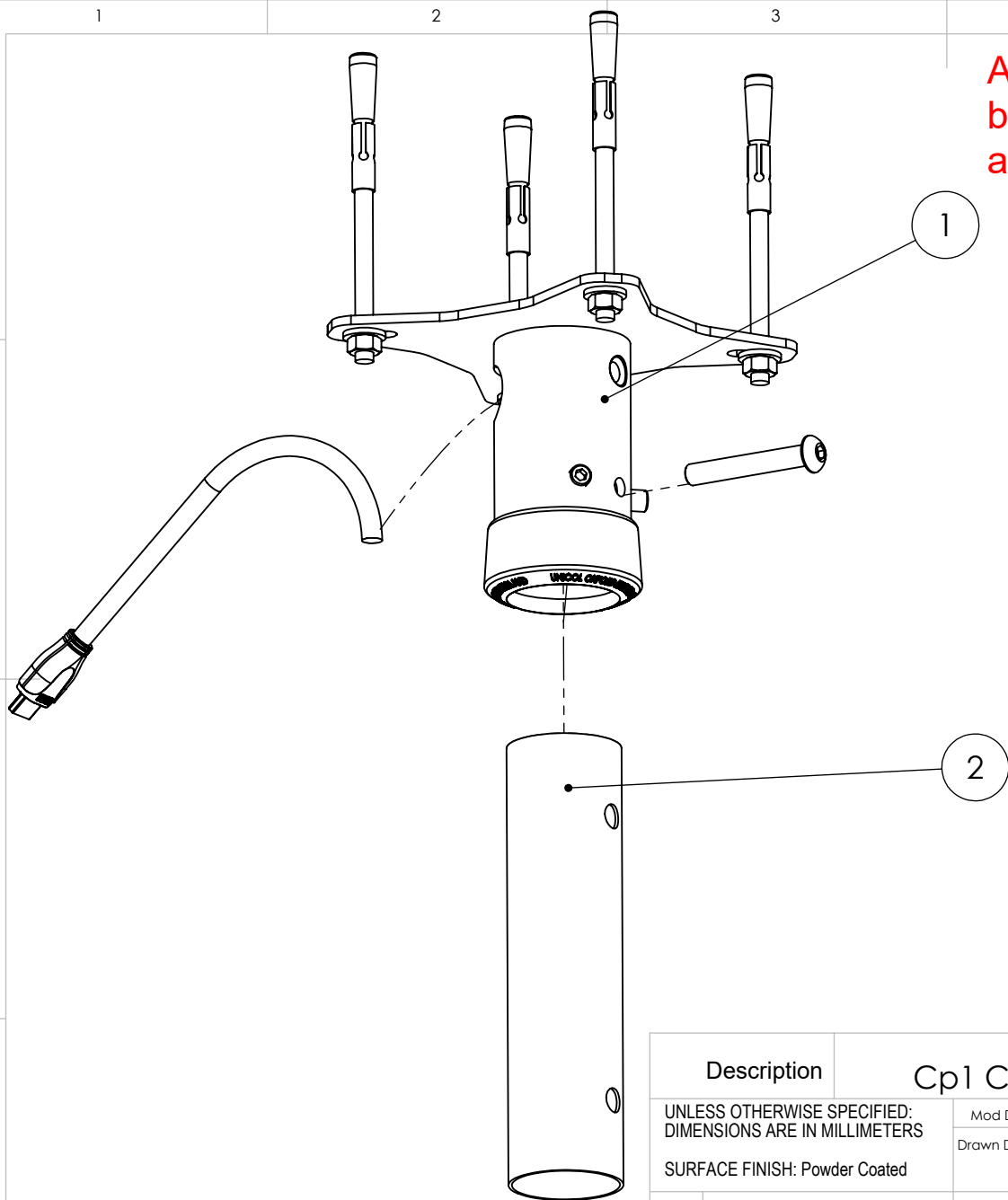
CP1

A4



Description		Cp1 Ceiling Plate 16Cm X 16Cm			
UNLESS OTHERWISE SPECIFIED: DIMENSIONS ARE IN MILLIMETERS		Mod Date	23/01/2017	REVISION	Bend & Machine Number
SURFACE FINISH: Powder Coated		Drawn Date:	01/02/2007	A-097	
DRAWN	Specials Three	Material		Gauge	DWG NO.
	Unicol Engineering Green Road Oxford OX3 8EU				
Bend V Tool		WEIGHT: 1093.80		Kg	CP1
1		2		3	
		SCALE:1:2		DO NOT SCALE DRAWING	SHEET 2 OF 4

A4



All Fixings must be approved by a builder or architect and these are only shown for illustrational purposes

Ensure that the ceiling structure can support five times the load - (screen including all bracketry and peripherals).

1. Fix ceiling plate 1 to ceiling using reliable fixings to ensure safe installation - Consult your builder or architect if in doubt, (fixings not provided).
2. Route cables through aperture in ceiling plate and through column before fixing column to ceiling plate. Insert column 2 into 1 using safety through bolt to fasten together - nip up grub screws.

**WARNING** - Safety Through Bolts must be used to connect columns to ceiling plates and mount adapters.

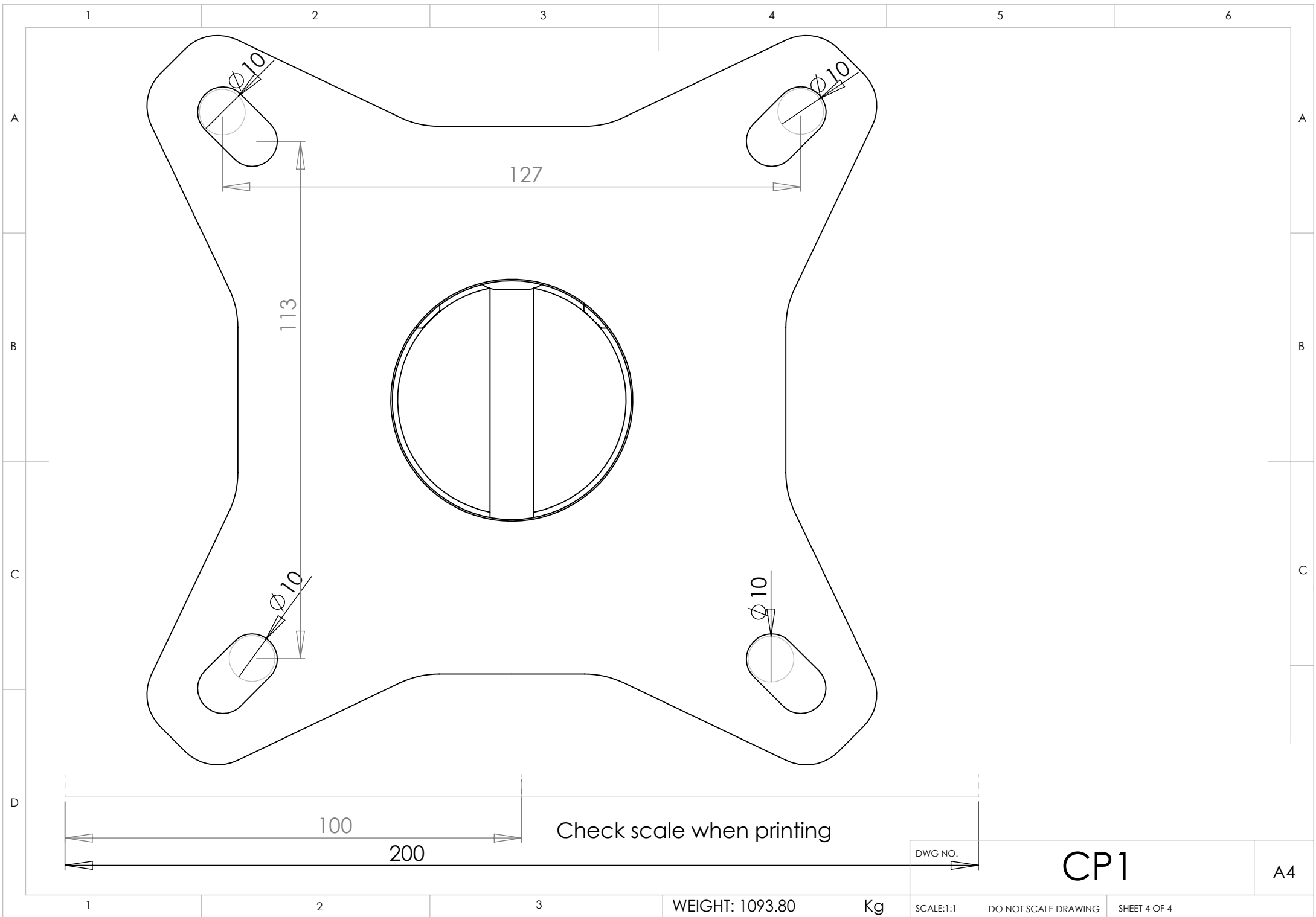
Description		Cp1 Ceiling Plate 16Cm X 16Cm		
UNLESS OTHERWISE SPECIFIED: DIMENSIONS ARE IN MILLIMETERS	Mod Date	23/01/2017	REVISION	Bend & Machine Number
	Drawn Date:	01/02/2007	A-097	
SURFACE FINISH: Powder Coated		Material		DWG NO.
DRAWN Specials Three		Gauge		
Unicol Engineering Green Road Oxford OX3 8EU				CP1

Bend V Tool

A4

WEIGHT: 1093.80 Kg

SCALE:1:3 DO NOT SCALE DRAWING SHEET 3 OF 4



1 2 3 4 5 6

A

A

B

B

C

C

D

D

127

113

100

200

$\phi 10$

$\phi 10$

$\phi 10$

$\phi 10$

Check scale when printing

DWG NO.

CP1

A4

1 2 3 4 5 6

WEIGHT: 1093.80 Kg

SCALE:1:1 DO NOT SCALE DRAWING SHEET 4 OF 4