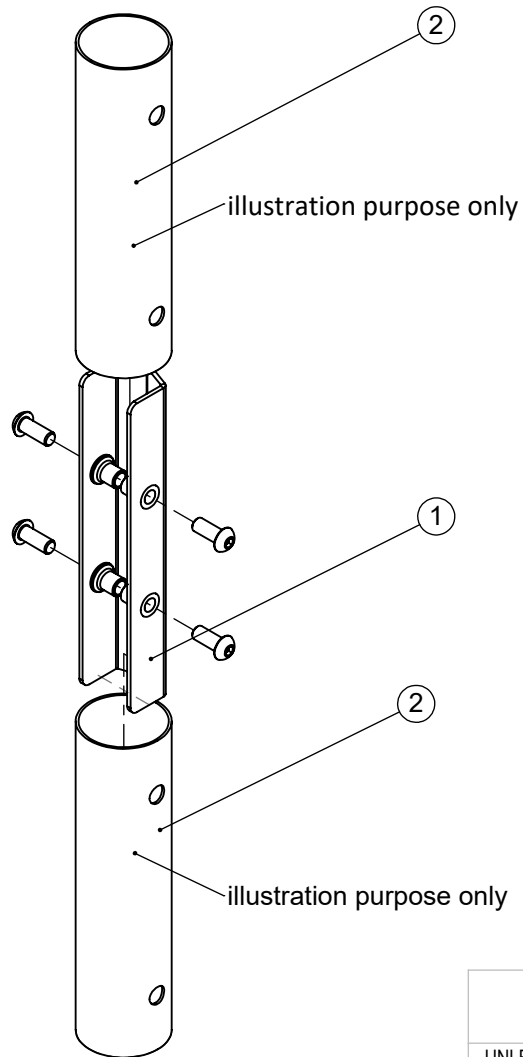
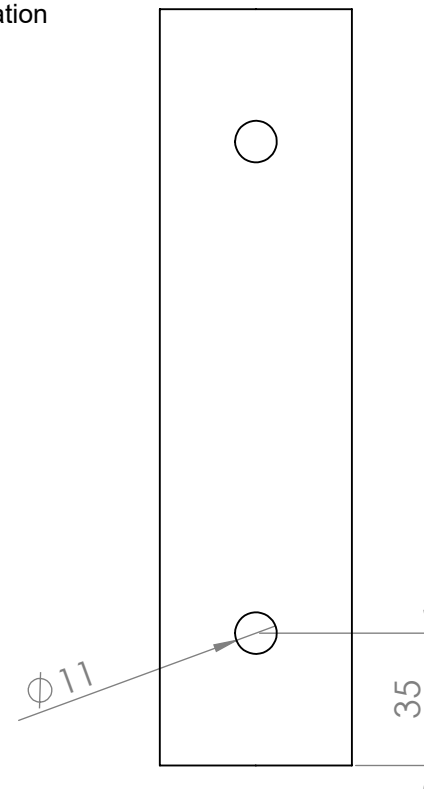


Description		5cm Column Coupler CC Inline		
UNLESS OTHERWISE SPECIFIED: DIMENSIONS ARE IN MILLIMETERS	Mod Date	4/10/2017	REVISION A-010	See Below - Fixings Required
	Drawn Date:	5/10/2007		
SURFACE FINISH: Powder Coated	DRAWN	Specials Four	MOD BY	Ricky
Unicol Engineering Green Road Oxford OX3 8EU		DWG NO.		CC
WEIGHT: 0.13		Kg		A4
SCALE:1:2		DO NOT SCALE DRAWING		SHEET 1 OF 2



Installation

- A. Cut columns to the correct length
- B. Drill each column end at the dimensions below
- C. Fit item 1 into items 2
- D. Align holes and fir screws
- E. Tighten to complete installation



Description		5cm Column Coupler CC Inline			
UNLESS OTHERWISE SPECIFIED: DIMENSIONS ARE IN MILLIMETERS		Mod Date	4/10/2017	REVISION	Bend & Machine Number
SURFACE FINISH: Powder Coated		Drawn Date:	5/10/2007	A-010	
DRAWN	Specials Four	Material		DWG NO.	CC
	Unicol Engineering Green Road Oxford OX3 8EU		Gauge		
Bend V Tool		WEIGHT: 0.13		Kg	A4
1	2	3	4	5	6