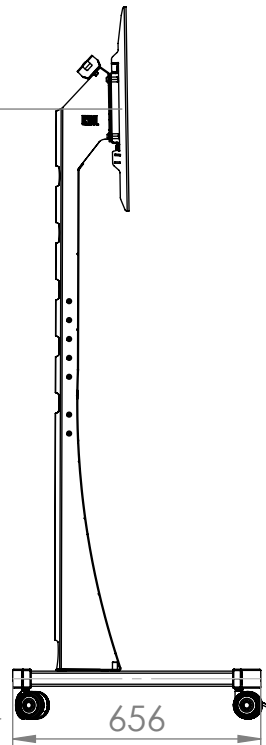
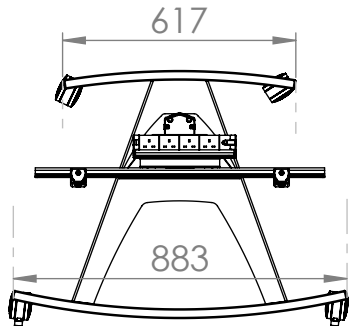


1612.89



656



883

BOM Table			
NO	Part Number	Description	QTY.
1	Ass--20001815	AXT2 Axia High Level Base	1
2	Ass--20000803	AXIA HIGH 1500 MAST ONLY	1
3	Ass--20001677	PZX1 Pozimount type 1 Non-Tilting	1
4	BH-MET-10X25-HT-BO	Button Head Screw M10 X 25 (High Tensile Black Oxide)	4
5	BH-MET-10X20-HT-BO	Button Head Screw M10 X 20 (High Tensile Black Oxide)	4

Description AX15T1 Axia High Trolley 1500 With PZX1

UNLESS OTHERWISE SPECIFIED:
DIMENSIONS ARE IN MILLIMETRES

SURFACE FINISH: Powder Coat

Created By Ricky Clarke

Unicol Engineering
Green Road
Oxford OX3 8EU

Modified Date: 17 October 2023
Created Date: 17 November 2006

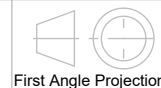
Bend Tool:

Material:

Gauge:

DRW - REV

REV -
A-012



See Below - Special Notes

Part Number & Part Revision

Ass--20008056 REV- A-012

WEIGHT: 31.76

Kg

SCALE:1:20

DO NOT SCALE DRAWING

SHEET 1 OF 1