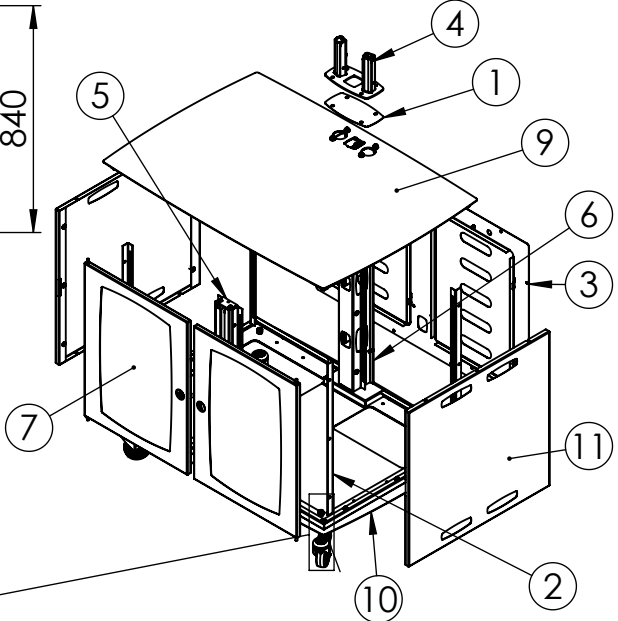
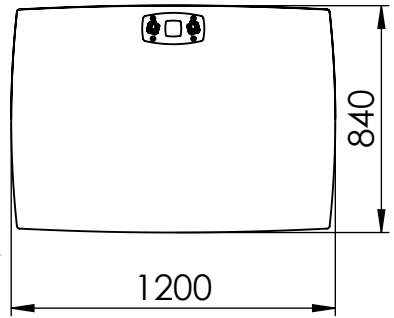
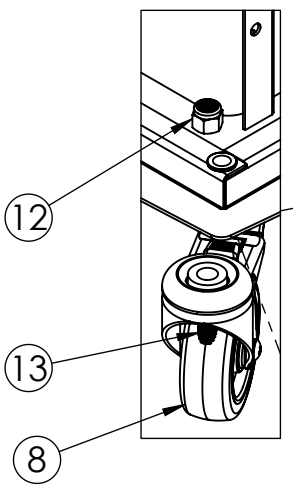


SECTION A-A



BOM Table			
NO	Part Number	Description	QTY.
1	Par--20039816	Twin Top Hole Cover	1
2	Par--20006426	AVR Rack Rail	8
3	Ass--20026493	Twin Avr Cabinet Back Panel With Multi Vent Doors	1
4	Ass--20026380	Twin Cabinet Crocodile Column Mount	1
5	Ass--20022730	Twin Avr Cabinet Front Post	1
6	Ass--20022727	Twin Avr Cabinet Rear Post	1
7	Ass--20003649	AVR Door	2
8	Ass--20001782	BC10 Stanadard Brake Castor	4
9	ASS--20056488	AVRT7 Twin Media Cabinet 642Mm 17.4 Inch Usable Depth 14U Rack Top	1
10	ASS--20056486	AVRT7 Twin Media Cabinet 642Mm 17.4 Inch Usable Depth 14U Rack Base	1
11	ASS--20056487	AVRT7 Twin Media Cabinet 642Mm 17.4 Inch Usable Depth 14U Rack Side	2
12	NN-MET-12-HT-CZN	Nyloc (Nylon Insert) Nuts M12 (High Tensile Bright Zinc Plated Clear Passivated)	4
13	HMS-MET-12X35-HT-BO	Hex Machine Screw M12 X 35 (High Tensile Black Oxide)	4



Description		AVRT7 Twin Media Cabinet 642Mm 17.4 Inch Usable Depth 14u Rack	
UNLESS OTHERWISE SPECIFIED: DIMENSIONS ARE IN MILLIMETERS	Saved Date: 31 August 2021	DRW - REV REV - A-001	See Below - Special Notes
	Created Date: 21 March 2024		
SURFACE FINISH: Powder Coated	Bend Tool:	Material:	Part Number & Part Revision
	Created By Andrew Griffiths		
Unicol Engineering Green Road Oxford OX3 8EU		ASS--20056485 REV - A-001	