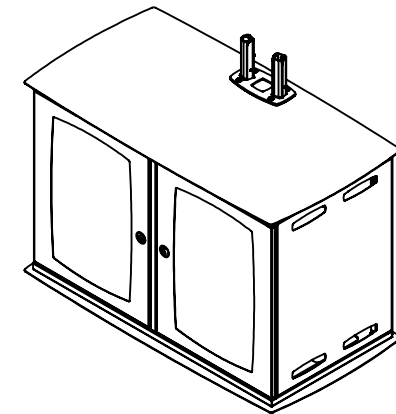
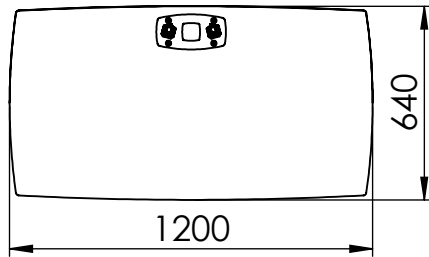
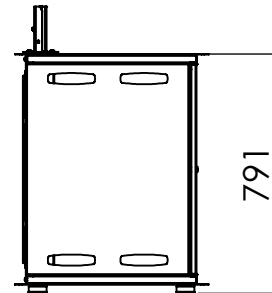


SECTION A-A



Description Avrt5 Twin Media Cabinet 442Mm 17.4 Inch Usable Depth 14u Rack No Wheels

UNLESS OTHERWISE SPECIFIED:
DIMENSIONS ARE IN MILLIMETERS

Mod Date 02/11/2018

REVISION

Bend & Machine Number

SURFACE FINISH: Powder Coated

Drawn Date: 19/07/2011

A-001

DRAWN Andrew Griffiths

Material

Unicol Engineering
Green Road
Oxford OX3 8EU

Gauge

DWG NO.

ASS--20051831

A4

Bend V Tool

WEIGHT: 65.56

Kg

SCALE:1:25

DO NOT SCALE DRAWING

SHEET 1 OF 1