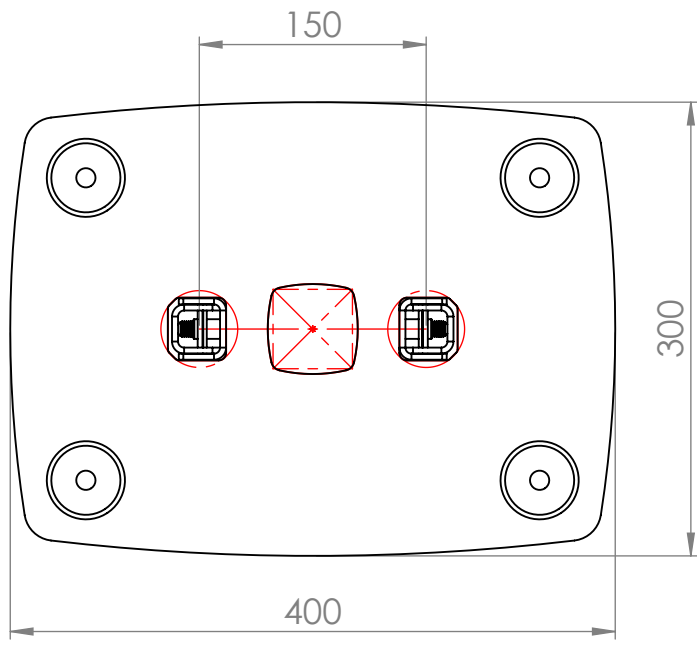
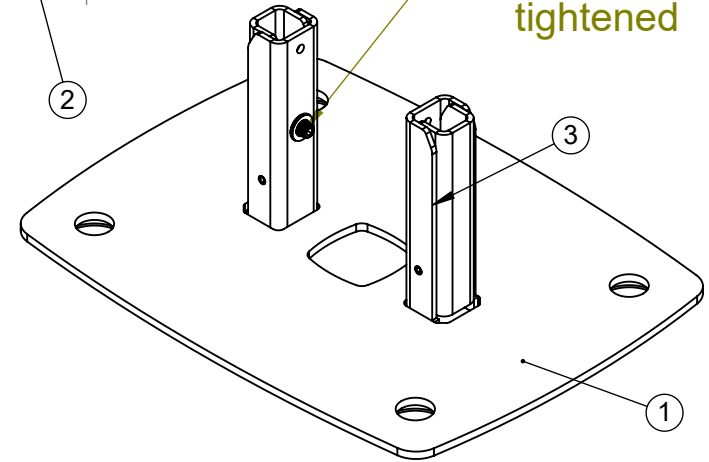


Use longer set screw to it potrudes out of column when fully tightened



BOM Table			
NO	Part Number	Description	QTY.
1	PAR--20045765	Avecta Bolt Down Baseplate Central Columns	1
2	Par--20001542	Grenade Cap With 12Mm Hole	4
3	Ass--20002634	AVF Column Clamps	2

Description		Avf Avecta Bolt Down Base Central Columns	
UNLESS OTHERWISE SPECIFIED: DIMENSIONS ARE IN MILLIMETERS	Created Date: 26 August 2021	DRW - REV REV - A-001	See Below - Special Notes
	Created Date: 01 September 2021		
SURFACE FINISH: Powder Coated	Bend Tool:		
Created By System Administrator	Material:		
Unicol Engineering Green Road Oxford OX3 8EU	Gauge:		Part Number & Part Revision ASS--20030243 REV - A-001