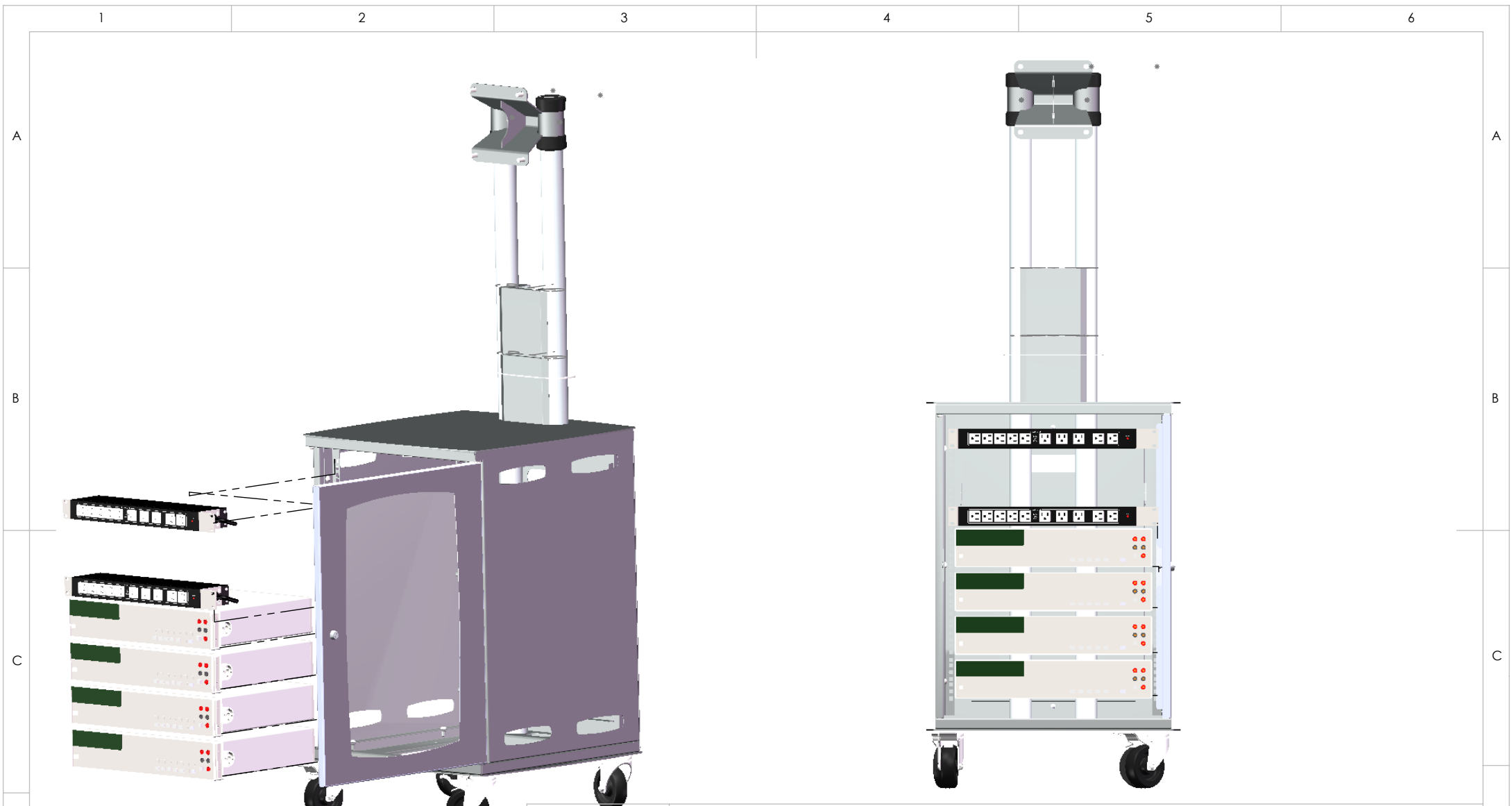


Bend Tool

Description		Asd5 - Media Screen Unit			
UNLESS OTHERWISE SPECIFIED: DIMENSIONS ARE IN MILLIMETERS		Mod Date	13/11/2015	REVISION	Bend & Machine Number
SURFACE FINISH: Powder Coated		Drawn Date:	23/09/2013		
DRAWN	Ricky Clark	Material	A-003		DWG NO.
	Unicol Engineering Green Road Oxford OX3 8EU		Gauge	Asd5	
		WEIGHT: 199332.02 Kg		SCALE:1:20	DO NOT SCALE DRAWING
				SHEET 1 OF 4	

A4



Description		Asd5 - Media Screen Unit		
UNLESS OTHERWISE SPECIFIED: DIMENSIONS ARE IN MILLIMETERS		Mod Date	13/11/2015	REVISION
SURFACE FINISH: Powder Coated		Drawn Date:	23/09/2013	A-003
DRAWN	Ricky Clark	Material		
Unicol Engineering Green Road Oxford OX3 8EU		Gauge		DWG NO.
				Bend & Machine Number
				Asd5
				A4

Bend V Tool

INSTALLATION INSTRUCTIONS

There are 3 models of cabinet only; AVR5, AVR7, AVR9.

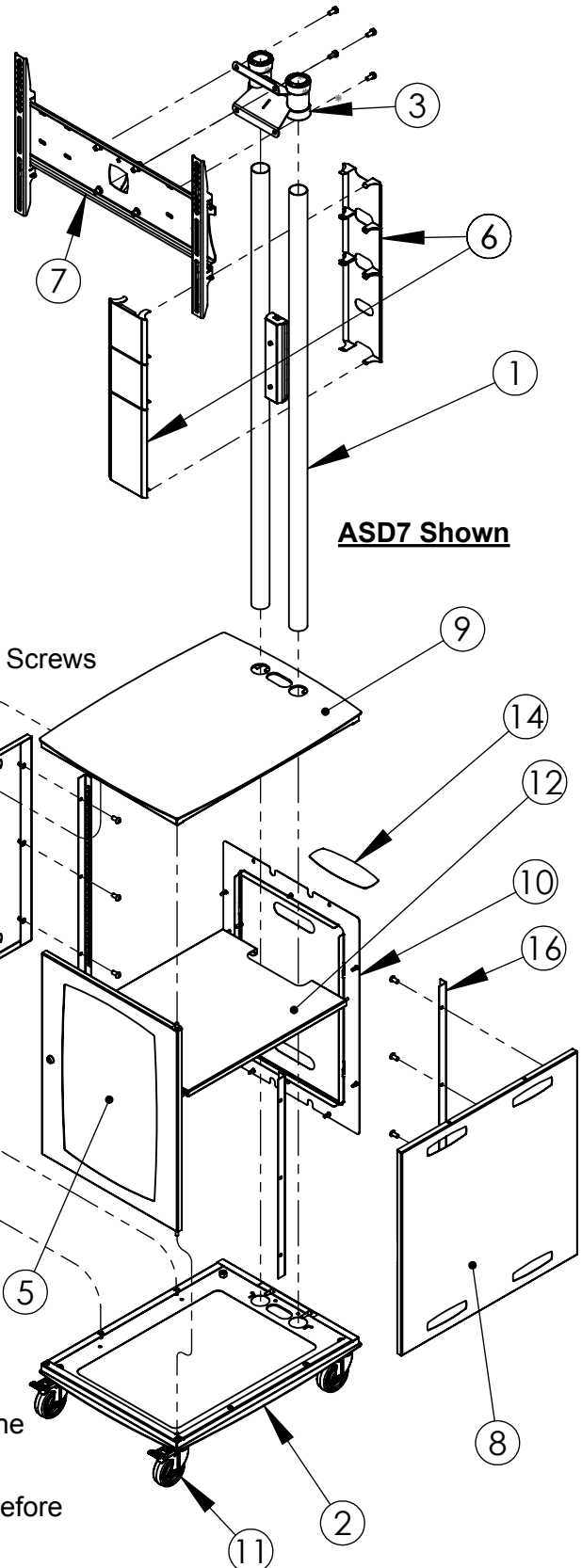
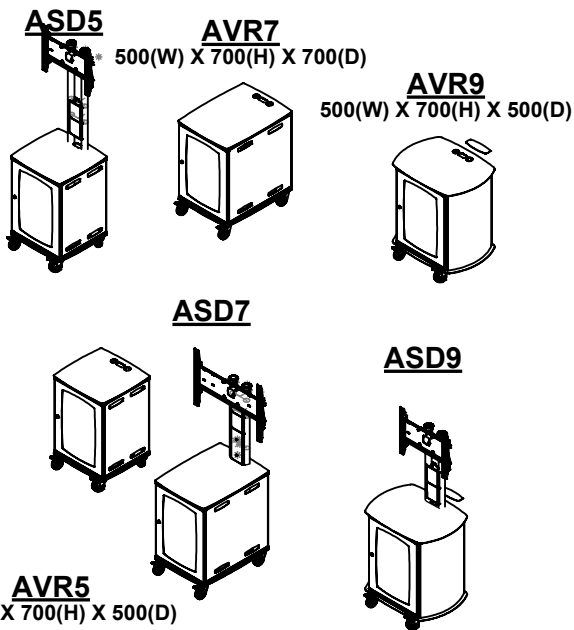
There are 3 models of cabinet with mast; ASD5, ASD7, ASD9.

All series 5 and 7 have flat sides. All Series 9 have oval sides.

All have rack mounting and there are two sizes of optional shelf.

PARTS LIST		PARTS LIST	
ITEM NO.	DESCRIPTION		DESCRIPTION
1	1500MM COLUMN	7	SCREEN MOUNT
2	BASE	8	SIDE PANEL
3	COLUMN ADAPTOR	9	TOP PANEL
4	COLUMN BLANK PLATE	10	REAR PANEL
5	DOOR	11	CASTOR
6	MAST INSERT SET	12	500mm(W) x 700mm(D) OPTIONAL SHELF
		13	500mm(W) x 500mm(D) OPTIONAL SHELF
		14	COLUMN HOLE COVER PLATE
		15	OVAL SIDE PANEL PLUS OUTER
		16	SHELF RACK

Examples:



Inspect the unit before installing

Warning: Watch for pinch points. Do not put your fingers between moveable parts. Do not tamper with or dis-assemble any spring loaded items.

1. Carefully inspect the unit for shipping damage. If any damages apparent, call your carrier claims agent and do not continue with the installation until the carrier has reviewed the damage.

2. Lay out components to ensure you have all the required parts before proceeding (see parts list).

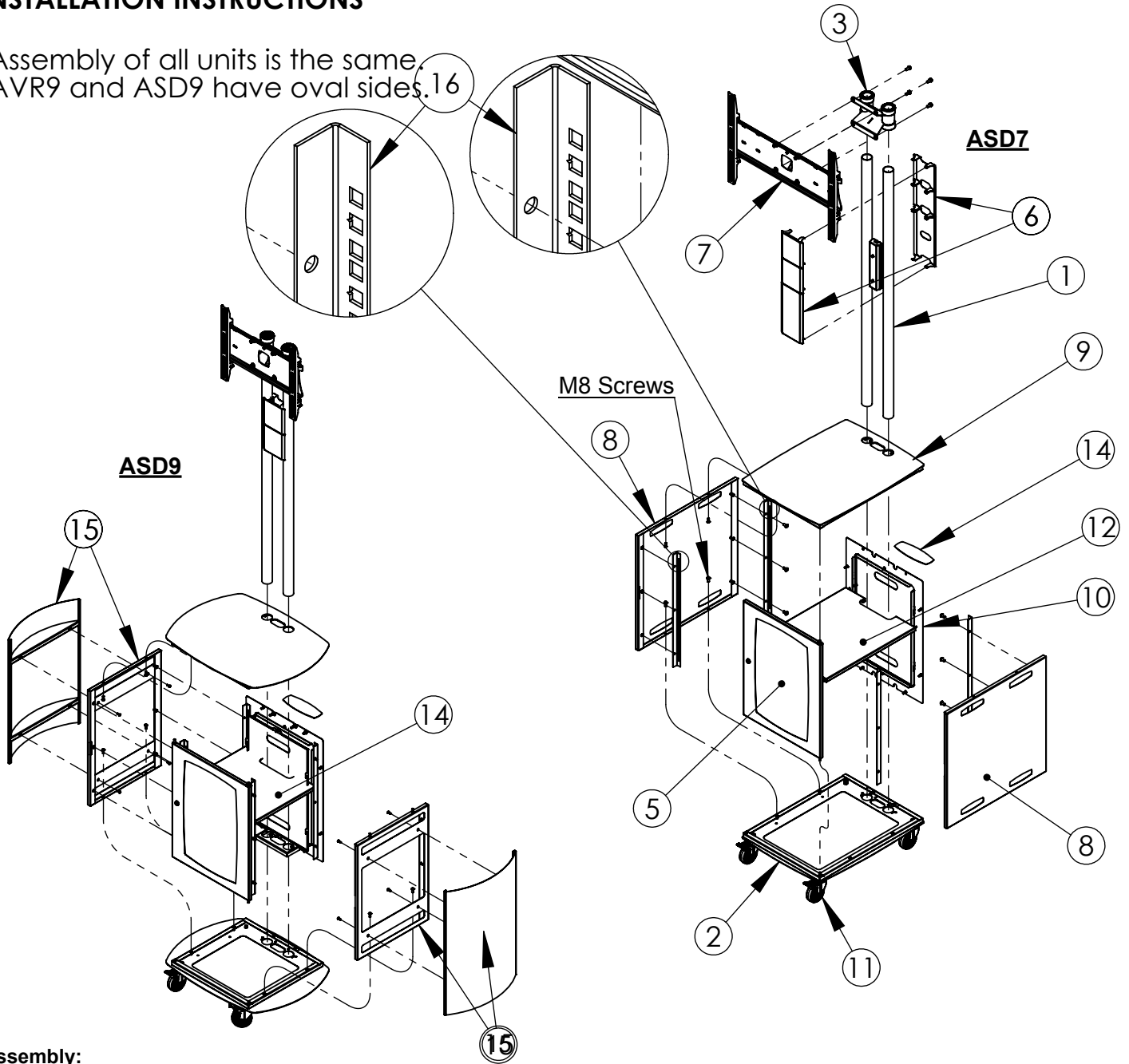
Caution: To prevent damage to the unit, study all instructions and illustrations before you begin the installation. Failure to do so could render the warranty for the unit and the equipment that attaches to it null and void. Pay particular attention to the "warnings" displayed in these instructions.

Pay attention to the maximum weight that this unit will support. 60kg.

We recommend installation by a qualified tradesperson. If you have any questions about the installation, contact Unicol, (uk +44 (0) 1865 767676) (europe +49 (0) 9131 9405 8013).

INSTALLATION INSTRUCTIONS

Assembly of all units is the same, AVR9 and ASD9 have oval sides. 16



Assembly:

1. Note orientation of Shelf racks (16) in detail views and fix to Side panels (8) using M8x200mm Screws as shown in diagrams. Mirror process for other side of cabinet.
2. Fix the side panels (8) to the base using the M8 screws provided.
3. and 4. Locate the rod on the door (5) in the hole in the corner of the base (6) and Top (9). Fix the Top to the Side Panels using the M8 screws provided.
5. Fix the Rear Panel (10) to the Base, Side Panels and Top using the M8 screws provided.
6. If columns are being used place the columns (1) through the Top and locate them into the holes in the Base.
7. Place column adaptor (3) down the columns at the desired height and tighten grub screws.
8. See separate Instructions to fit Screen.
9. Cable up unit then press in mast inserts (6) between columns (cut-outs to rear).