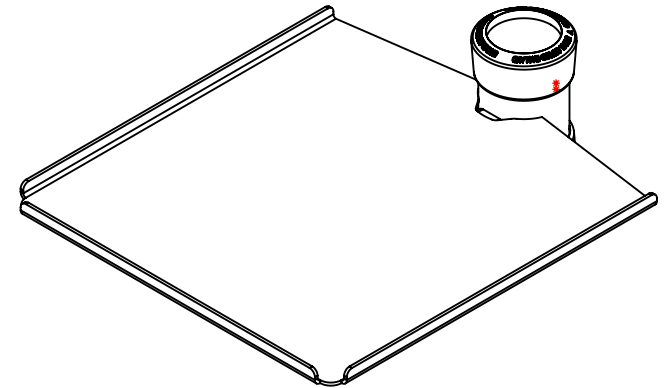
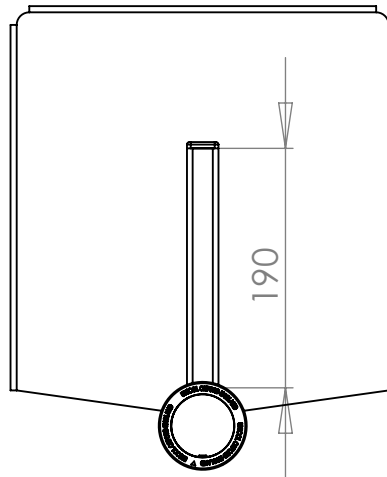
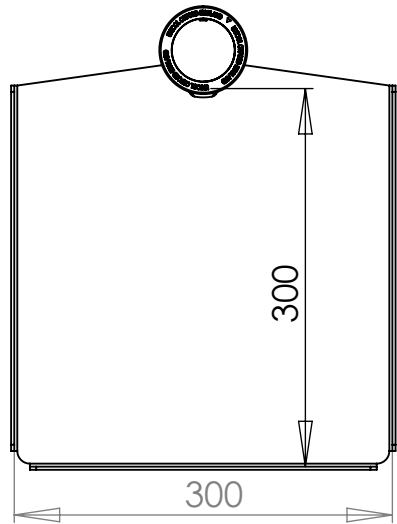


25x25 Box Section 190mm
(AP Shelf Support)

100mm Undimpled
Socket



Description		Aps2021 10 Ap Steel Tray 30cm X 30cm		
UNLESS OTHERWISE SPECIFIED: DIMENSIONS ARE IN MILLIMETERS	Saved Date: 24 August 2021 Created Date: 26 August 2021 Bend Tool:		DRW - REV REV - A-003	See Below - Special Notes
	SURFACE FINISH: Powder Coated			
Created By System Administrator Unicol Engineering Green Road Oxford OX3 8EU	Material:		Part Number & Part Revision Ass--20015766 REV - A-003	SCALE:1:5 DO NOT SCALE DRAWING SHEET 1 OF 1
	Gauge:			
WEIGHT: 2.95		Kg		