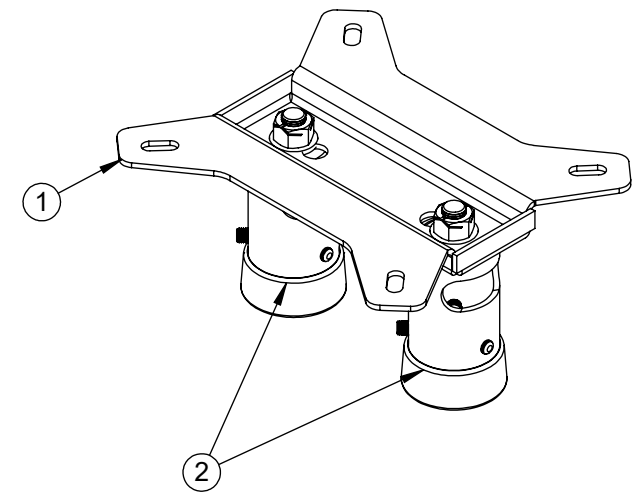
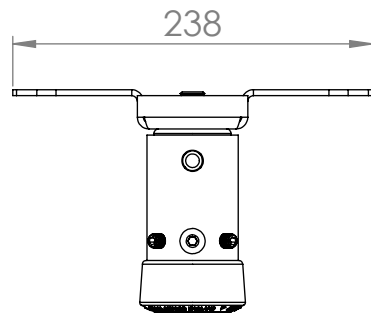
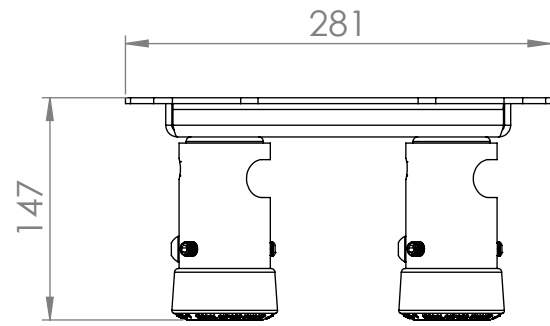


1 2 3 4 5 6

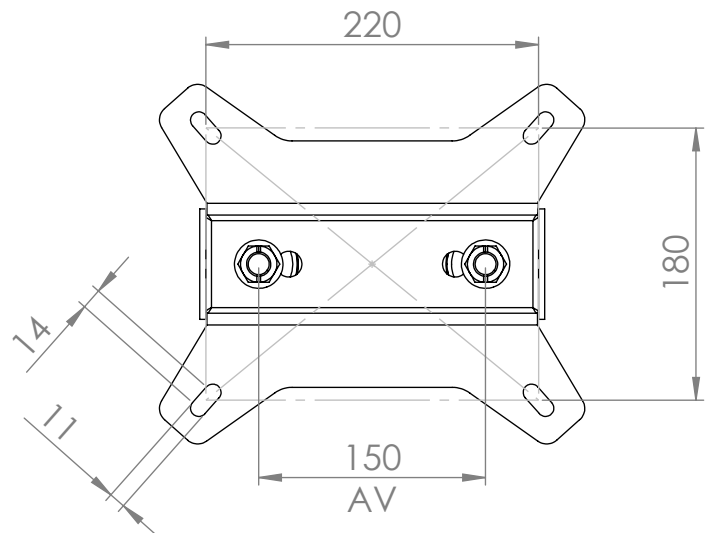
A

A



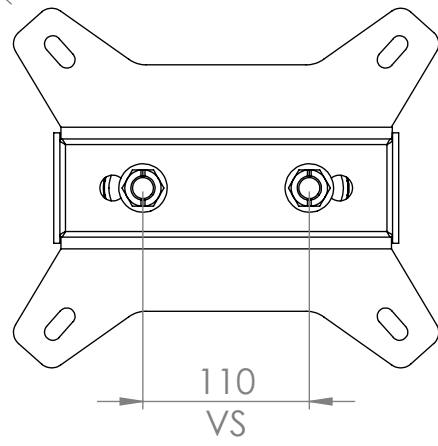
B

B



C

C



BOM Table			
NO	Part Number	Description	QTY.
1	Par--20004314	Twin Socket Ceiling Plate - 150 Or 110 Centres	1
2	Ass--20000832	Ceiling suspension socket 16mm cap - 110mm long MSS1	2

Description	AP8 Fixed Twin Socket Ceiling Plate 150 Centres		
-------------	---	--	--

UNLESS OTHERWISE SPECIFIED: DIMENSIONS ARE IN MILLIMETRES	Modified Date: 22 October 2024 Created Date: 11 June 2007	DRW - REV REV - A-007	See Below - Special Notes
	Bend Tool:		
SURFACE FINISH: Powder Coat	Created By Ricky Clark	Material:	Part Number & Part Revision Ass--20002317 REV- A-007
	Unicol Engineering Green Road Oxford OX3 8EU		
	Gauge:	 First Angle Projection	

D

1 2 3 4 5 6