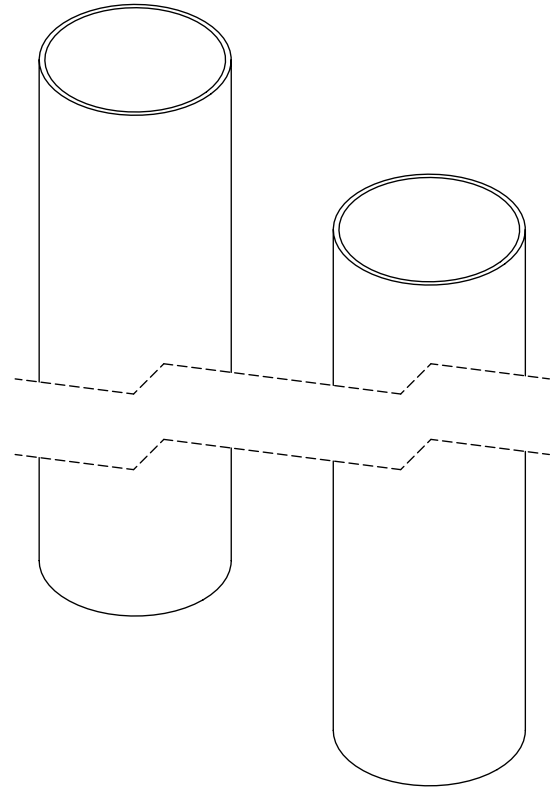
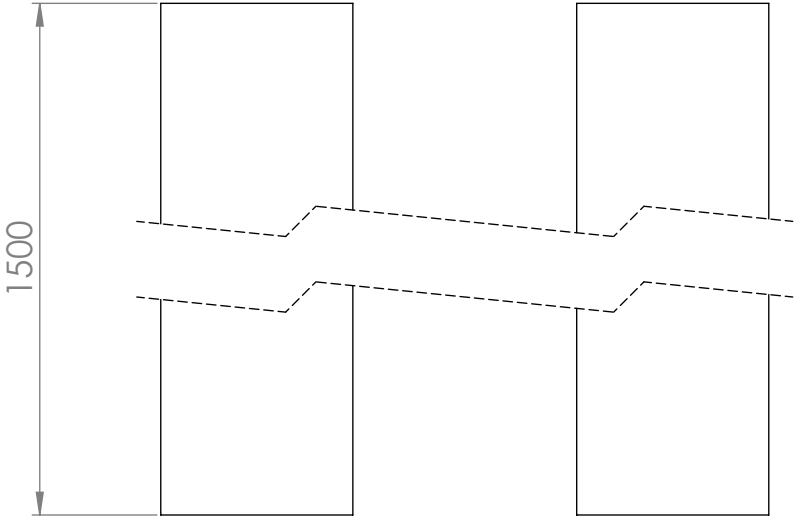


1 2 3 4 5 6

A

A

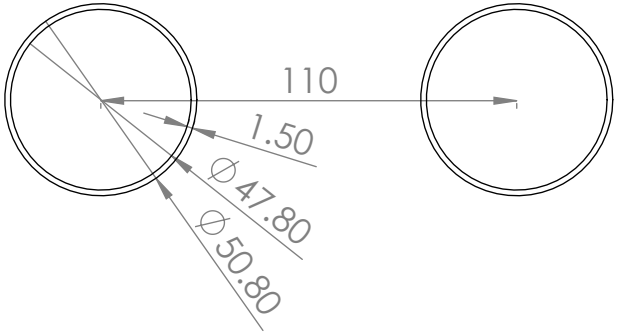


B

B

C

C



BOM Table			
NO	Part Number	Description	QTY.
1	1500	1500 Column (Standard)	2

Description		1500X2 Plain 1500 Columns	
UNLESS OTHERWISE SPECIFIED: DIMENSIONS ARE IN MILLIMETERS	Created By Ashley Snowden	Material:	DRW - REV REV - A-001
	Unicol Engineering Green Road Oxford OX3 8EU	Gauge:	
SURFACE FINISH: Powder Coated		See Below - Special Notes	
Saved Date: 19 August 2021 Created Date: 02 September 2021 Bend Tool:		Part Number & Part Revision ASS--20054474 REV - A-001	

D

1 2 3 4 5 6

WEIGHT: 5.51 Kg SCALE:1:2 DO NOT SCALE DRAWING SHEET 1 OF 1