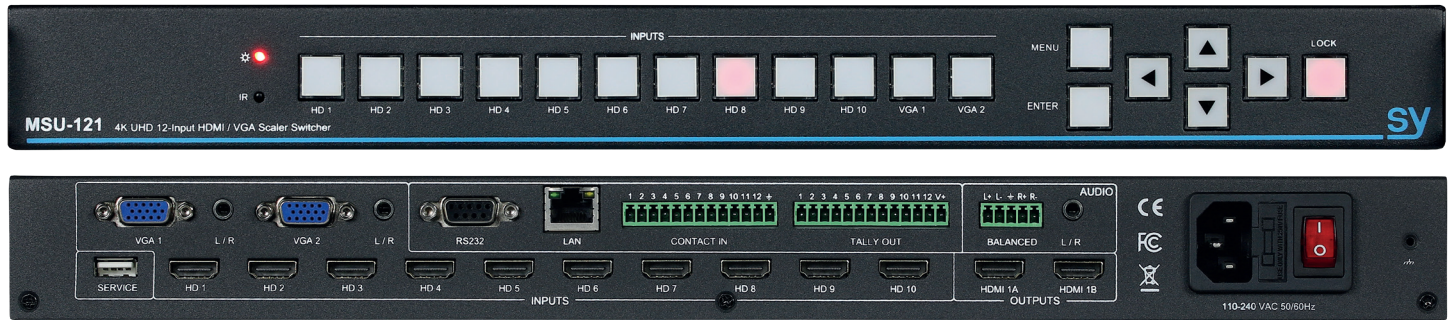


12 Input (10x HDMI + 2x VGA) Presentation Scaler Switch

MSU-121



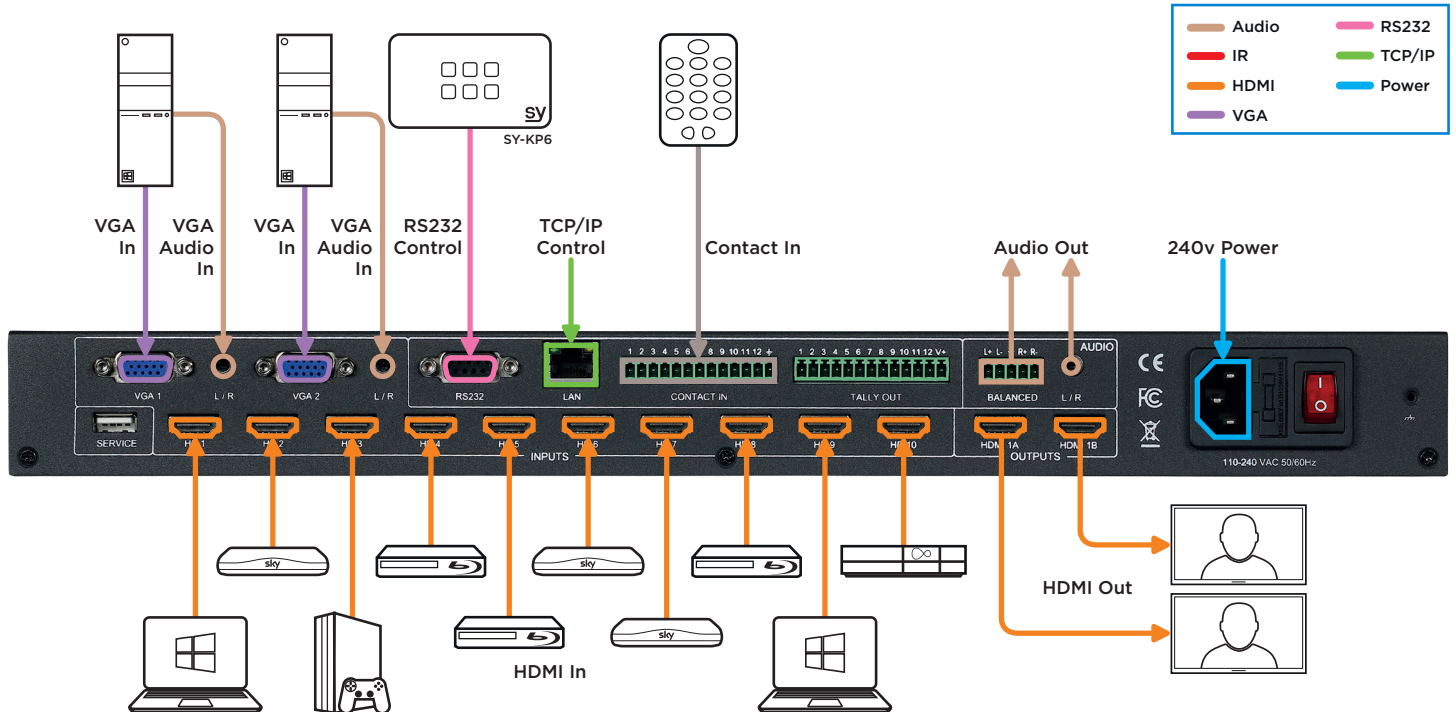
MSU-121

The MSU-121 is a high-performance presentation switcher with output scaling. This switcher is designed for HDMI and computer graphics signals having 10 HDMI and 2 VGA input ports. The inputs are switched to both the outputs simultaneously (mirrored outputs). The switcher can be controlled from the front panel, RS232, LAN, IR or by contact closure.

FEATURES

- 10 HDMI inputs and 2 VGA inputs
- HDMI input resolutions up to 4K30
- Compliant to HDMI 1.4 and HDCP
- VGA input resolutions up to 1900x1200 60Hz
- Two scalable mirrored HDMI outputs. Max output resolutions up to 1920x1080p 60Hz and 1680x1050p 60Hz
- Analogue audio out via balanced terminal connectors or unbalanced 3.5mm jack outputs
- OSD menu for easy configuration

CONNECTIVITY ILLUSTRATION



12 Input (10x HDMI + 2x VGA) Presentation Scaler Switch

MSU-121



SPECIFICATIONS

PART NUMBER	SY-MSU-121	
VIDEO RESOLUTIONS/FORMATS	All HDMI resolutions to 3840x2160p 30Hz 4:4:4 or 3840x2160p 60Hz 4:2:0	
BANDWIDTH	18Gbps	
HDCP	Compatible with all versions up to HDCP 1.4	
HDMI	HDMI 1.4	
INPUTS	Video 10x HDMI 2x VGA	Audio L+R Audio via 3.5mm TRS jacks for the VGA inputs
OUTPUTS	Video 2x HDMI	Audio 1x 3.5mm L+R 1x Balanced audio out
CONTROL	IR LAN RS232	
POWER SUPPLY	110-240V AC	
POWER CONSUMPTION	25W max.	
WEIGHT AND DIMENSIONS	Weight (net) 3kg	Size (WHD) 430 x 44 x 220mm
WHAT'S IN THE BOX	1x MSU-121 2x Mounting brackets (already fitted) 1x 5 way terminal block 1x 13 way terminal block 1x AC Power cord 1x User manual	

SY-MSU-121 Data Sheet 01. Details subject to change with no prior notice. ©SY Electronics 2020