

The **MAJOR TENSIONED** is a motorized screen with a peculiar tensioning system on each side of it, that guarantees the perfect flatness of the fabric.

This product has been specifically studied for the niche of Home Theatre market.

For this reason, it is the right solution for the most particular and demanding requests.

It is available in 4:3 and 16:9 ratios and it is equipped with black side edges, a black extra drop and Matte White fabric in order to give the best projection performance.



- Silent motor system provides a smooth and quiet operation
- Totally manufactured in aluminium
- Smart design and easy to install
- Housing dimensions: 124x133 mm.
- Housing painted with white epoxy powders (RAL 9010)
- Four universal mounting brackets either for ceiling or for wall
- Switcher on/off included
- Projection fabrics are flame-retardant - classification M1 and M2
- Side black borders of 5 cm. (in the narrowest point), black drop of 30 cm. on the top and black counterweight (35 mm. high)
- Tensioning system on both sides
- **AVAILABLE ACCESSORIES:** RF remote control with integrated or external receiver, False ceiling Trim Kit, Interface switch 12 Volt, Wall extension brackets

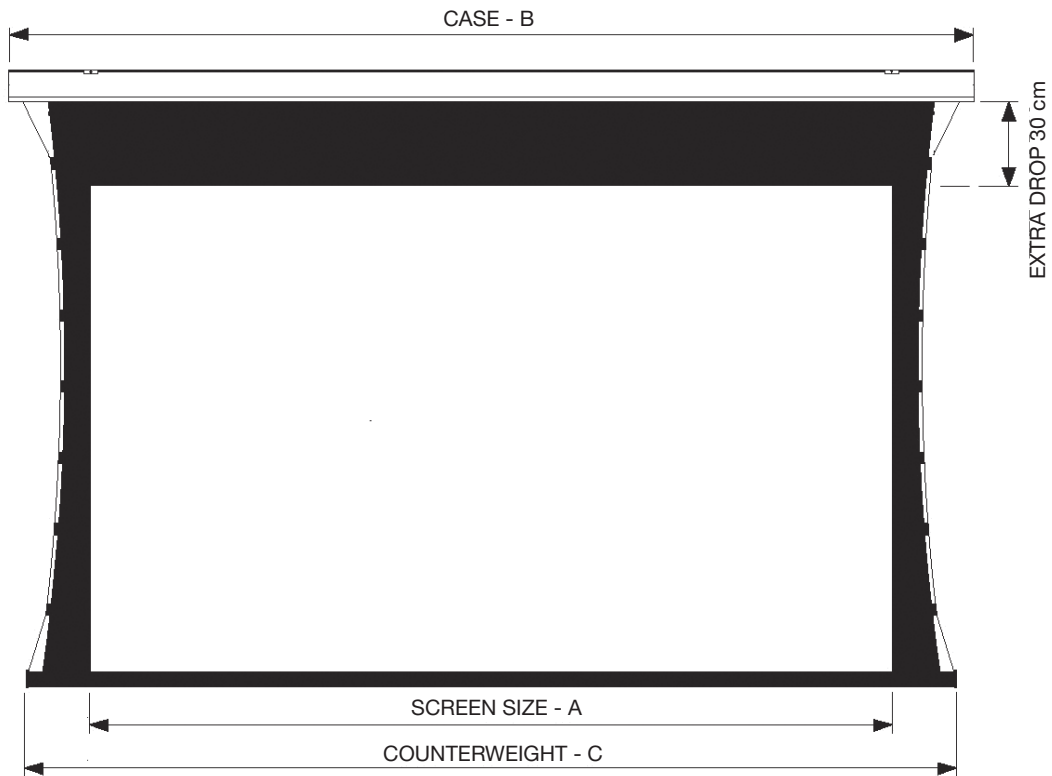
TECHNICAL DETAILS

4:3 Ratio Viewing area (WxH)-(A)	16:9 Ratio Viewing area (WxH)-(A)	16:10 Ratio Viewing area (WxH)-(A)	Overall dimensions	Front projection surfaces	Approx. net weight
cm. 300x225 cm. 350x265 cm. 400x300	cm. 300x169 cm. 350x197 cm. 400x225	cm. 300x187 cm. 350x219 cm. 400x250	B cm. 340 C cm. 333 B cm. 390 C cm. 383 B cm. 440 C cm. 433	Matte White gain 1.2 Microperforated gain 1.1 Lumi-Grey gain 0.8 Cinesound gain 0.7*	Kg. 28 Kg. 32 Kg. 36

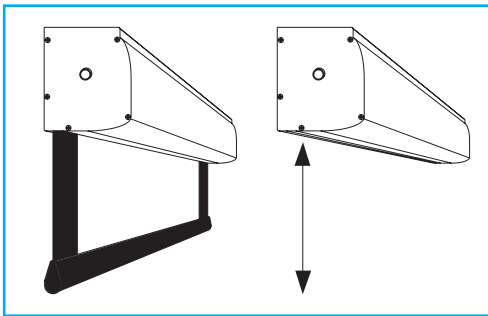
*Cinesound cloth is available only on Major Tensioned 300x169

* Warranty: 5 years on the motor - 24 months on the other components

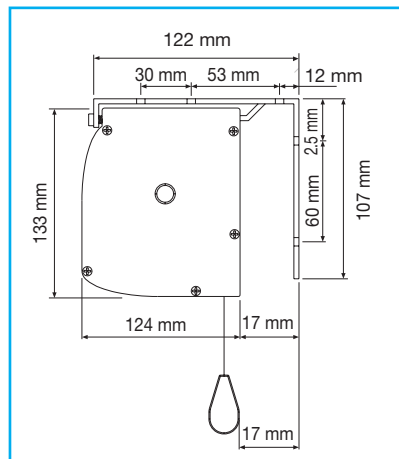
TECHNICAL SPECIFICATIONS



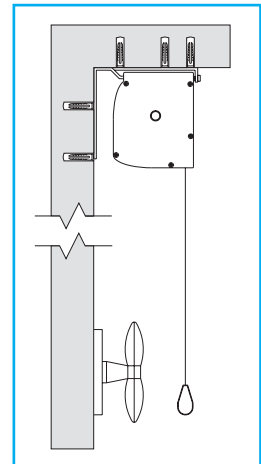
Concealing counterweight



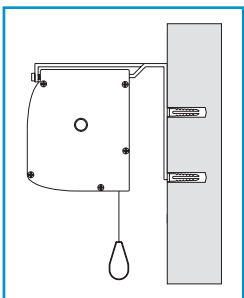
Cabinet dimensions



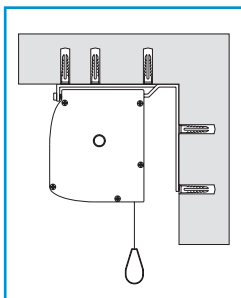
Cloth drops on the front side of the housing (optional)



Wall Mounting



Ceiling Mounting



Motor characteristics

- Power: 10 Nm
- Speed: 17 rpm
- Power supply: 230V / 50 Hz
- Consumption: 156 W
- Certification IMQ

Euroscreen S.r.l.
Via Stiria, 45/16 - 33100 Udine - Italy
Tel. +39 0432 522755
Fax +39 0432 524000
www.screenint.com
info@screenint.com

