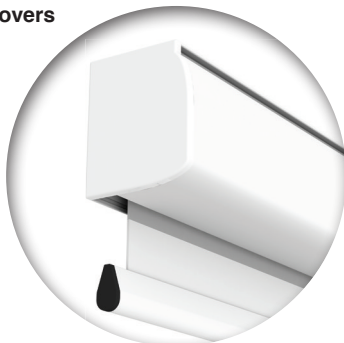




COMPACT is an electric screen whose features, high quality standard, silent system of fabric dragging and versatility under different projection conditions, make it the right solution for small to medium size rooms. The wide range of fabrics available satisfy almost all the various projection needs.

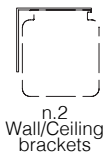
Available in 4:3 and 1:1 formats or customized sizes.

White side covers
(optional)



False ceiling trim kit
(optional - for details see p. 48)

Compact with black borders (optional)



n.2
Wall/Ceiling
brackets

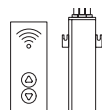


n.1
On/off
switcher

INCLUDED



RF Remote
control with
receiver
built-in motor



Kit RF Remote
control with
external
receiver



Interface
switch 12 volt



Low voltage
contact
interface



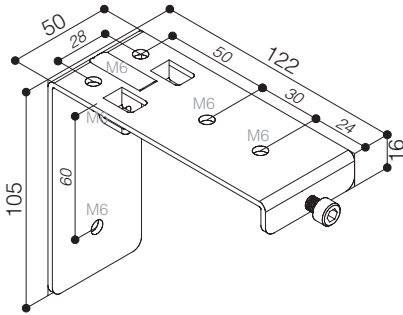
Nm 9
Rpm 26
Faster and
quiet motor

OPTIONAL pag 62-63

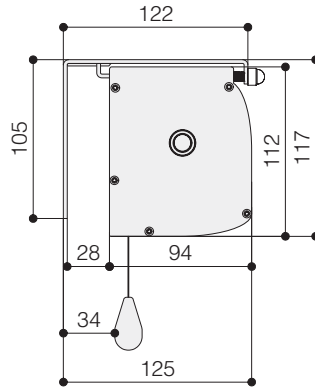
DROP OF PROJECTION CLOTH
STANDARD

FRONT DROP OF PROJECTION CLOTH
(optional)

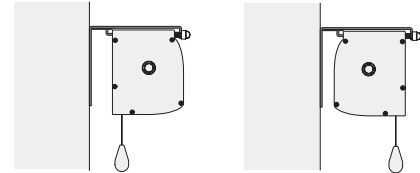
WALL-CEILING BRACKET



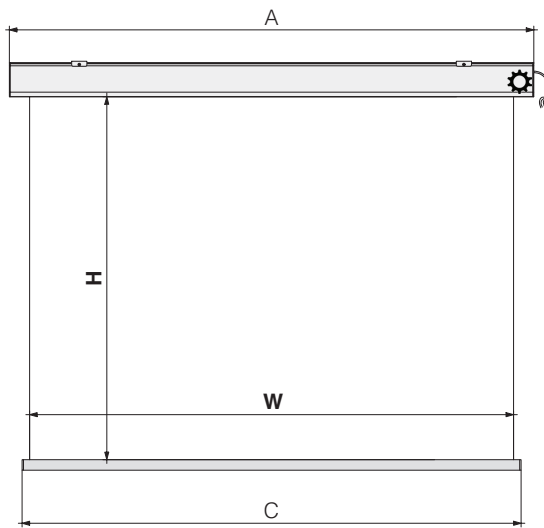
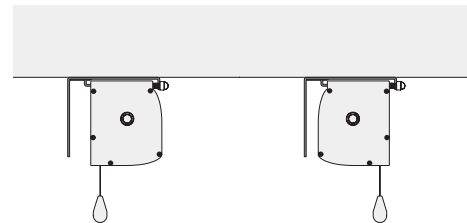
HOUSING DIMENSIONS



WALL MOUNTING



CEILING MOUNTING



TECHNICAL SPECIFICATIONS

- Silent motor system provides a smooth and quiet operation
 - Power: **6 Nm**
 - Speed: **17 rpm**
 - Power supply: **230V / 50 Hz**
 - Consumption: **137 W**
 - Certification: **IMQ**
- Totally manufactured from aluminium
- Smart design and easy to install
- Housing dimensions: 94x112 mm. (DxH)
- Housing painted with white epoxy powders (RAL 9010)
- White dowel bar: height 35 mm. - depth 20 mm.
- Two universal mounting brackets either for ceiling or for wall
- On/Off switcher included
- Power cable located at **right** side of the screen housing seen from the front
- Flame - retardant projection surfaces - classification M1 and B1
- Side black borders of 5 cm. and black dowel bar (optional)
- Screen housing available in different colours (optional)

DIMENSIONS measures in cm

1:1 Ratio Viewing area (WxH)	4:3 Ratio Viewing area (WxH)	Overall dimensions A - C	Approx. net weight (Kg)
160 x 160	160 x 120	169 - 164	14
180 x 180	180 x 135	189 - 184	15
200 x 200	200 x 150	209 - 204	17
220 x 220	220 x 165	229 - 224	19
250 x 250	250 x 190	259 - 254	22
-	300 x 225	309 - 304	25

PROJECTION CLOTHS

Front projection surfaces	Gain	Rear projection surfaces <i>**no black borders**</i>	Gain
White	1.2	Rear Plus	1.1
Matte White	1.2	Front Rear	0.9
Microperforated	1.1		
Fibre Matte*	1.25		
Hi-Light*	2.3		

*Limited in height

The measures in the drawings are expressed in millimetres.

Warranty: 5 years on the motor - 24 months on the other components

