



FULLWHITE®
Purely the picture.



FULLWHITE®

Purely the picture.

Have you ever thought of the pure projection screen? No borders. No depth. Fullwhite makes the picture float in space. This pure design product is very popular for flying screen applications but features numerous different mounting solutions.

Multiple Fullwhite® projection screens can also be connected to create projected walls or cubes.

Fullwhite® projection screens can be made to measure in any aspect ratio.

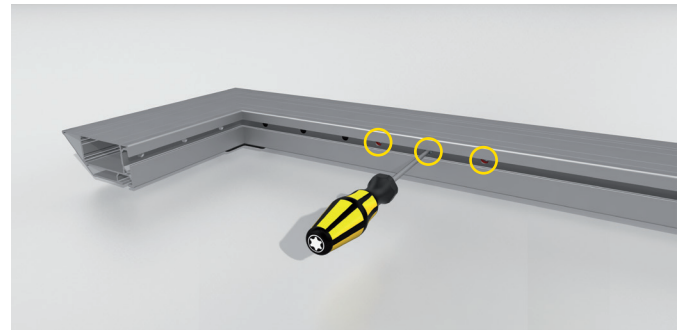
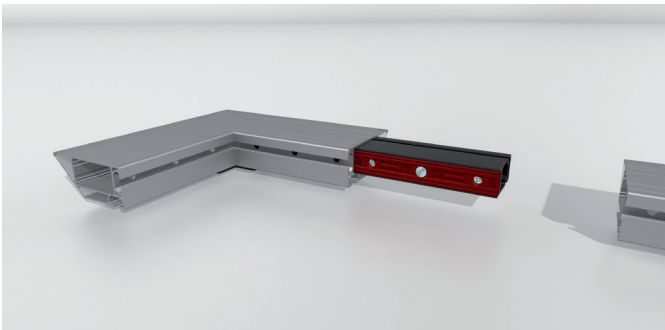


FRAME

Unique design. Modular concept.

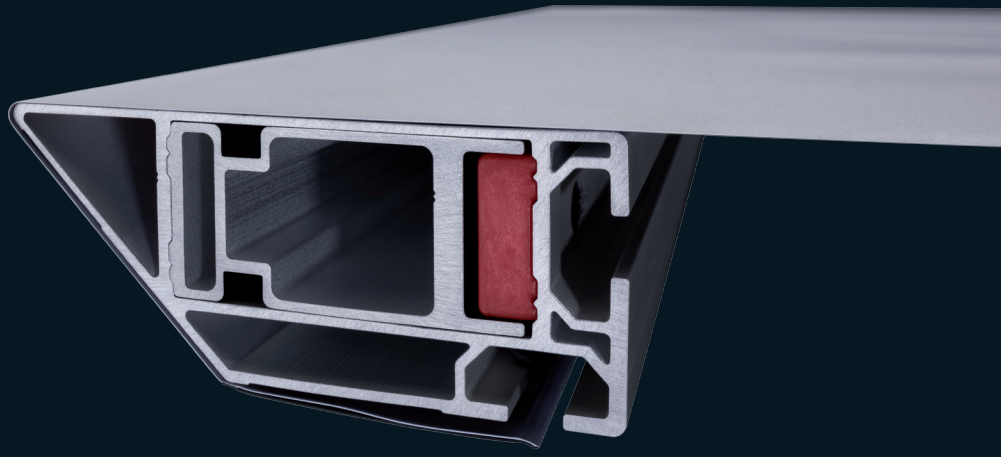
The Fullwhite® frame concept is a modular system to make the screen easily resizable. The size of the basic frame is extended with plug in elements of different size to scale the frame to the exact dimension required.

- ✓ Modular multi-element frame made of special extruded and hardened aluminum alloy
- ✓ Special shape profile cross section with 45 degree edge
- ✓ Most popular design for architectural projection installation and flying projection screens
- ✓ Manufactured in various formats in custom sizes



Clamp Connection

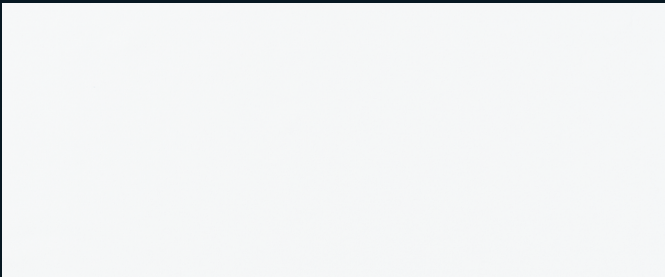
Especially for our FullWhite® projection screens which are designed for extra-large formats we have developed the clamp connector. Due to the expanding connection module the projection screen elements are tied together free of any clearance. This results in the lowest possible frame deflection even at large screen dimensions but still keeping the lowest system weight. In order to meet international safety requirements during flying applications the clamp connection can be locked with the integrated safety screw.



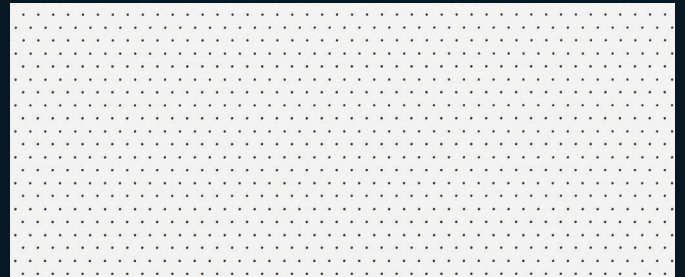
SURFACE

Perfectly reflecting the image.

Fullwhite®'s vinyl surfaces can be stretched easily and attached to the frame's rear side either with hooks or velcro.



Front projection- The standard
Our standard projection surface is characterized by a particularly mat embossing for an extra wide viewing angle. A two-layer construction guarantees absolute opacity.



Front Projection- Micro perforated
If the projection screen needs to be acoustically transparent it can be delivered with a micro perforated projection surface e.g. to use it in conjunction with "center" loudspeakers.



Seamless optic- Invisible seams.

If projection screen height exceeds the material roll width multiple surface panels have to be welded together using our especially invented welding technique. For consistently perfect images even in near-viewing distance we recommend to flatten the necessary seams using our SeamlessOptic™ technology.



Other materials

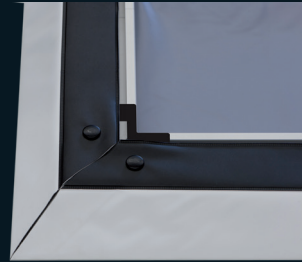
Fullwhite® technology can not only be used as a projection screen. By attaching printed materials Fullwhite® frames can be used in a number of different applications. It is possible to attach several Fullwhite® frames together to form multidimensional shapes. Among the applications of Fullwhite® are:

Trade Show Booth, Projection Cubes, Conferencing or Stage Backgrounds, Architectural Design Elements

SURFACE ATTACHMENT

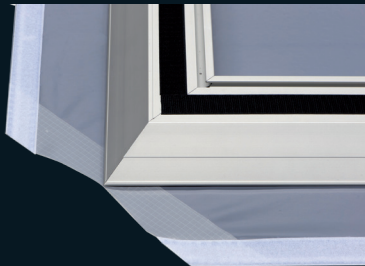
With hooks

All Fullwhite® projection screens are shipped with a projection screen surface with hooks which clip into a channel on the rear side of the frame.



With velcro

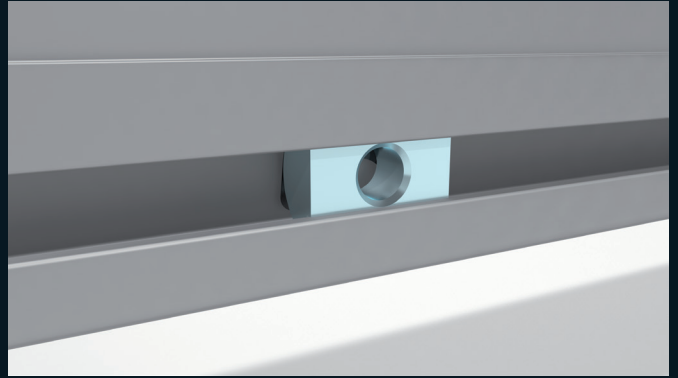
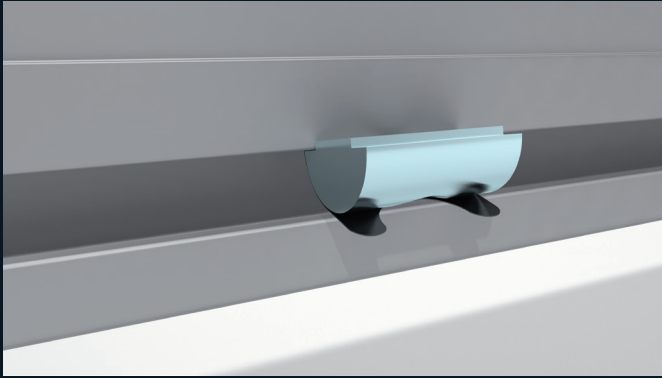
Especially when using non elastic materials the frame can be delivered with Velcro tape on the rear side.



SET UP AND MOUNTING

Basic mounting

Individually slidable pivot nut M8 which slide into a channel on the frame's rear side. These pivot nuts serve as base mounting for the different fittings described below.



Wall mounting

Keyhole plate for wall mounting - can be used in horizontal or vertical position.



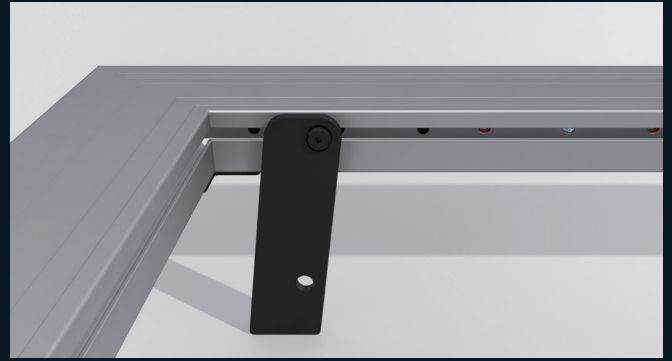
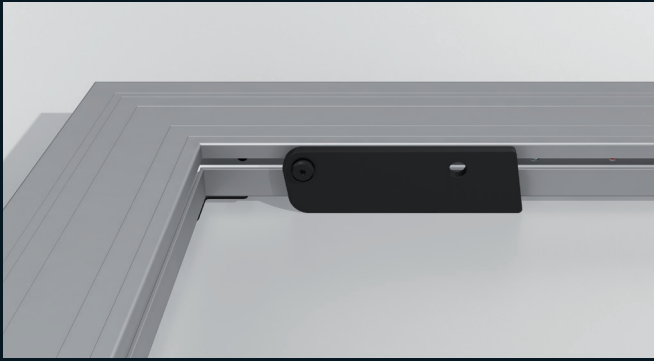
Suspension

Mounting bracket with eyelet dedicated for projection screen suspension. These brackets are used for flying screen applications.



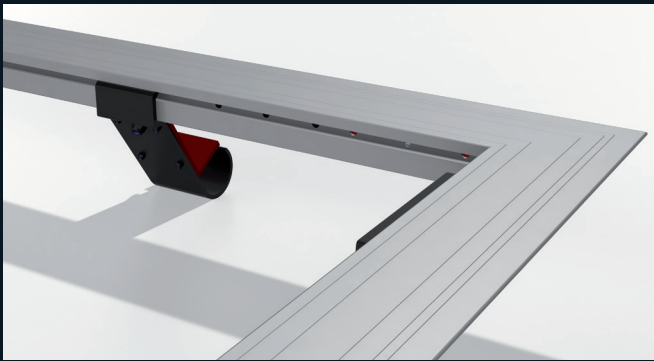
Set up support

Foldaway legs hold the projection screen's frame in position above the floor to allow the surface attachment from top.



Raising support

When the surface has been attached to the Fullwhite® projection screen frame and the screen needs to be raised these devices keep the projection screen away from the floor to prevent damaging of the sensitive surface.



AVAILABLE STANDARD SIZES

Special sizes on demand.

Overall size cm	Diagonal inch	Article number	Kg	Profile deviation	Wall mounting
Format 4:3					
300 x 225	147"	BWV-AV300225	40	none	2 pieces
360 x 270	177"	BWV-AV360270	48	none	2 pieces
400 x 300	197"	BWV-AV400300	53	none	3 pieces
460 x 345	226"	BWV-AV460345	72	horizontal 1x	3 pieces
500 x 375	246"	BWV-AV500375	68	none	3 pieces
560 x 420	276"	BWV-AV560420	78	none	3 pieces
600 x 450	296"	BWV-AV600450	85	none	3 pieces
Format 16:9					
300 x 170	136"	BWV-AC300170	35	none	2 pieces
360 x 203	163"	BWV-AC360203	41	none	2 pieces
400 x 225	181"	BWV-AC400225	46	keine	3 pieces
460 x 259	208"	BWV-AC460259	53	horizontal 1x	3 pieces
500 x 281	226"	BWV-AC500281	58	horizontal 1x	3 pieces
560 x 315	253"	BWV-AC560315	66	horizontal 1x	3 pieces
600 x 338	271"	BWV-AC600338	71	horizontal 1x	3 pieces
Format 16:10					
300 x 188	139"	BWV-AW300188	36	none	2 pieces
360 x 225	167"	BWV-AW360225	43	none	2 pieces
400 x 250	188"	BWV-AW400250	46	none	3 pieces
460 x 288	214"	BWV-AW460288	56	horizontal 1x	3 pieces
500 x 313	232"	BWV-AW500313	61	horizontal 1x	3 pieces
560 x 350	260"	BWV-AW560350	69	horizontal 1x	3 pieces
600 x 375	279"	BWV-AW600375	75	none	3 pieces
Multi Image Format 2x16:9					
641 x 200	264"	BWV-AM641200	72	horizontal 1x	3 pieces.
959 x 300	396"	BWV-AM959300	108	horizontal 1x	4 pieces
Multi Image Format 3x16:9					
926 x 200	373"	BWV-AM926200	89	horizontal 1x	4 pieces



AV Stumpfl GmbH | 4702 Wallern | Mitterweg 46 | Austria
AVstumpfl@AVstumpfl.com | www.AVstumpfl.com/Fullwhite
tel.: +43 (0) 7249 / 42811 | fax: +43 (0) 7249 / 42811-4
Edition PLS 2015. We reserve the right to make modifications in the interest of technical progress.