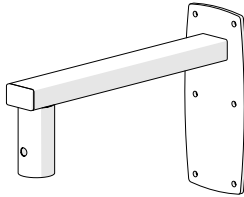
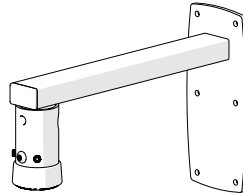




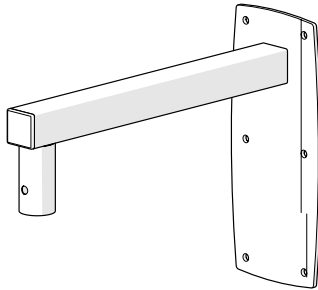
## Wall Arms – Fixed - WB - 0,02,1&2



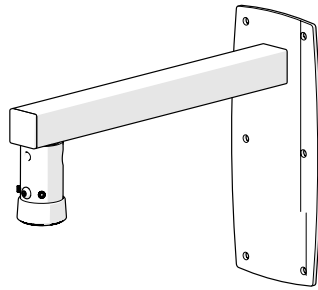
WB0



WB02



WB1



WB2

Guide Max. Weight: 60kg

*\*Please check model specific details before installing\**

Revised 29/09/22

### WARNING

Please carefully inspect the product before assembling. If you notice any apparent damage, call your carrier claims agent and do not continue the installation until it has been reviewed. Please watch for pinch points. Do not put your fingers between moveable parts. Do not tamper with or disassemble any spring loaded parts. Before installing, make sure that the supporting surface will support five times the combined load of the solution and the hardware. Never exceed the maximum load capacity. Please also layout all components to ensure that you have all of the required parts before proceeding (see BOM list on following page). Use of this product for anything other than its specified use may result in failure or personal injury. This product is intended for indoor use only. We recommend using a qualified trades person for installation. Use an assistant or lifting equipment to lift and position products.

*For support, please call: +44 (0)1865 767676 or email: sales@unicol.com*



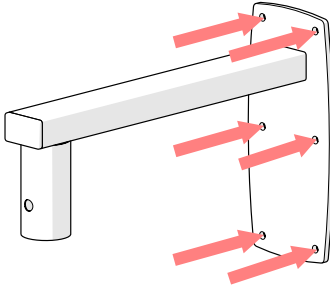
#	TOOLS REQUIRED
1	3/16 <sup>th</sup> Allen Key
2	Pozidrive Screwdriver
3	
4	
5	

INSTALLERS REQUIRED
1-2

COMPONENTS		
#	DESCRIPTION	QTY
1	WB0 - Peg Version	1
#	DESCRIPTION	QTY
1	WB02 - Socket Version	1
#	DESCRIPTION	QTY
1	WB1 - Peg Version	1
#	DESCRIPTION	QTY
1	WB2 - Socket Version	1
#	OPTIONAL EQUIPMENT	QTY
1	Projector Suspension Unit - PSU	1
1	Screen Mount Adapter - (PS1 shown)	1
#	OPTIONAL EQUIPMENT	QTY
1	Column	1
1	Projector Suspension Unit - PSU	1
1	Screen Mount Adapter - (PS1 shown)	1



## WB, 0, 02, 1 & 2 Wall Fixing

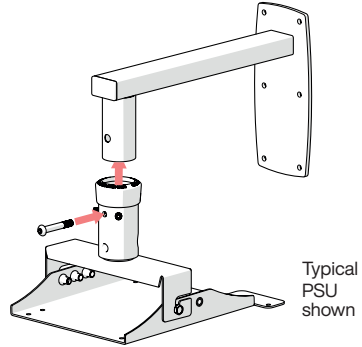


### STEP 1 – (WB, 0, 02, 1 & 2)

Determine where you want to install your wall arm. Mark and fix into position through the six fixing holes using suitable anchors & screws.

*Please consider cabling and wall fixings prior to installation. Please check surface is capable of supporting 5x the combined solutions weight.*

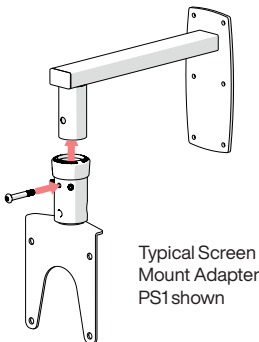
## WB, 0 & 1 – Adding PSU



### STEP 2 – (WB, 0 & 1)

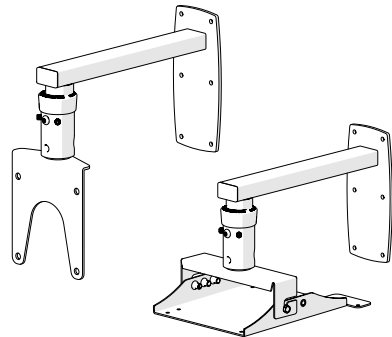
Unscrew Through-Bolt located on the socket of the PSU. Locate socket onto the Peg of the Wall Arm and push upwards. Refit Through-Bolt ensuring it locates through the peg of the Wall Arm.

## WB, 0 & 1 – Adding Screen Mount Adapter



### STEP 3 – (WB, 0 & 1)

Unscrew Through-Bolt located on the socket of the Screen Mount Adapter. Locate socket onto the Peg of the Wall Arm and push upwards. Refit Through-Bolt ensuring it locates through the peg of the Wall Arm.



### STEP 4 – (WB, 0 & 1)

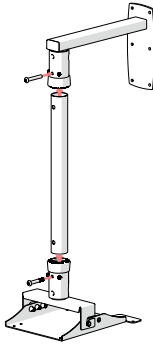
Fully tighten Through-Bolts. Take up any slack using grub screws in sockets.

Cable along wall arm & apertures in Screen Mount Adapter & PSU sockets.

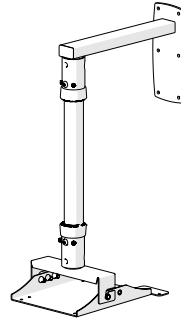
Follow PZX/W, PLX/W Instructions to fit Screen.  
 Follow PSU Instructions to fit Projector.



## WB, 02 & 2 – Adding PSU & Column



Typical  
PSU  
shown



### STEP 1 – (WB, 02 & 2)

Unscrew Through-Bolts located on the sockets of the Wall Arm and PSU. Place column onto the Peg of the Wall Arm and push upwards. Refit Through-Bolt ensuring it locates through the peg of the Wall Arm. Repeat this operation to join the PSU to the other end of the column.

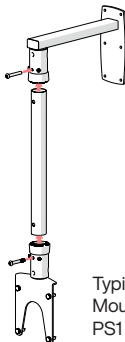
### STEP 2 – (WB, 02 & 2)

Fully tighten both Through-Bolts. Take up any slack using grub screws in socket.

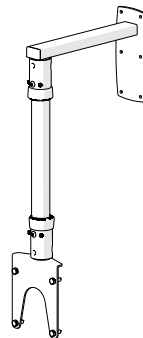
Cable through column and apertures in Wall Arm & PSU sockets.

Follow PSU Instructions to fit Projector.

## WB, 02 & 2 – Adding Screen Mount Adapter & Column



Typical Screen  
Mount Adapter  
PS1 shown



### STEP 1 – (WB, 02 & 2)

Unscrew Through-Bolts located on the sockets of the Wall Arm and Screen Mount Adapter. Place column onto the Peg of the Wall Arm and push upwards. Refit Through-Bolt ensuring it locates through the peg of the Wall Arm. Repeat this operation to join the Screen Mount Adapter to the other end of the column.

### STEP 2 – (WB, 02 & 2)

Fully tighten both Through-Bolts. Take up any slack using grub screws in socket.

Cable through column and apertures in Wall Arm & Screen Mount Adapter sockets.

Follow PZX/W, PLX/W Instructions to fit Screen.