

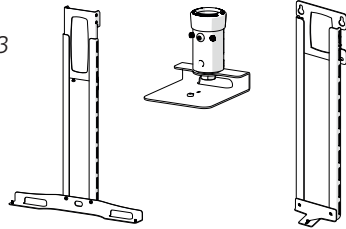


SBM / SBC / SBT / VCSS / VCTS / VCTST / VCM1 / VCMP / VCMT / MCM

Sound and Video Bar Mount

pg 2-3

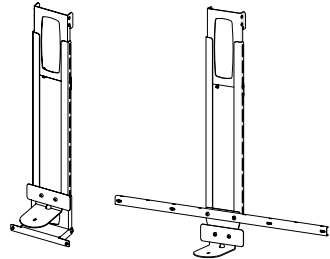
- SBM clips onto PZX1 or PZX9 universal mounts
- SBC for ceiling suspension
- SBT bolt on style for twin screen trolleys



Video Conference & Sound Bar Mount

pg 4-5

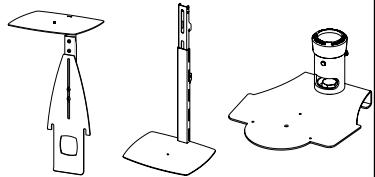
- VCSS clip onto PZX1 or PZX9 universal mounts
1x VC camera + 1x sound bar
- VCTS clip onto PZX1 or PZX9 universal mounts
1x VC camera + 2x sound bar
- VCTST bolt on style for twin screen trolleys
1x VC camera + 2x sound bar



Video Conference Cameras

pg 6-7

- VCM1 bolt on style on universal or dedicated mount
- VCMP clip onto PZX universal mount
- VCMT bolt on style for twin screen trolleys
- MCM for ceiling suspension



Screen Size: n/a | Guide Max. Weight: 10kg

Please check model specific details before installing

Revised 08/12/23

WARNING

Please carefully inspect the product before assembling. If you notice any apparent damage, call your carrier claims agent and do not continue the installation until it has been reviewed. Please watch for pinch points. Do not put your fingers between moveable parts. Do not tamper with or disassemble any spring loaded parts. Before installing, make sure that the supporting surface will support five times the combined load of the solution and the hardware. Never exceed the maximum load capacity. Please also layout all components to ensure that you have all of the required parts before proceeding (see BOM list on following page). Use of this product for anything other than its specified use may result in failure or personal injury. This product is intended for indoor use only. We recommend using a qualified trades person for installation. Use an assistant or lifting equipment to lift and position products.

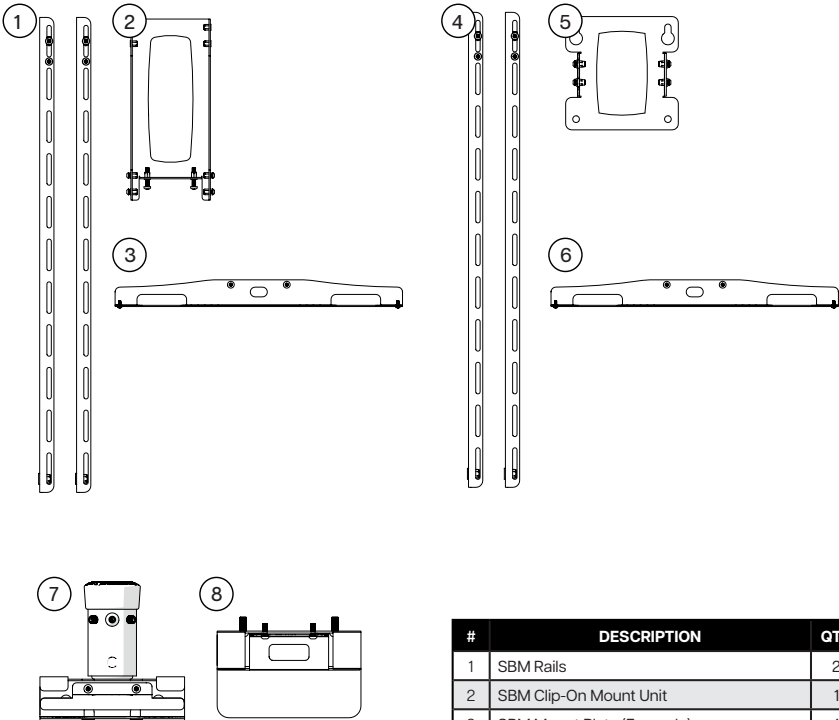
For support, please call: +44 (0)1865 767676 or email: sales@unicol.com



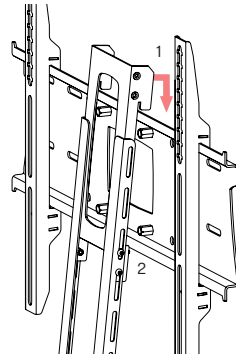
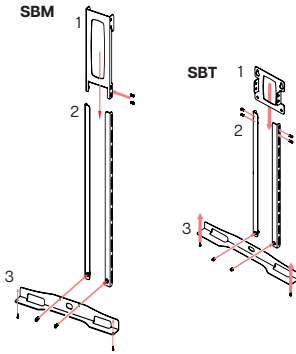
#	TOOLS REQUIRED
1	4mm & 5mm Allen Keys

INSTALLERS REQUIRED
1

COMPONENTS



#	DESCRIPTION	QTY
1	SBM Rails	2
2	SBM Clip-On Mount Unit	1
3	SBM Mount Plate (Example)	1
4	SBT Rails	2
5	SBT Bolt-On Mount Unit	1
6	SBT Mount Plate (Example)	1
7	SBC Column Suspension Unit	1
8	SBM Mount Plate (Example)	1



SBM & SBT GENERAL ASSEMBLY INSTRUCTIONS

Connect your device to mount plate³. Each mount is dedicated to your device so may vary from the image above.

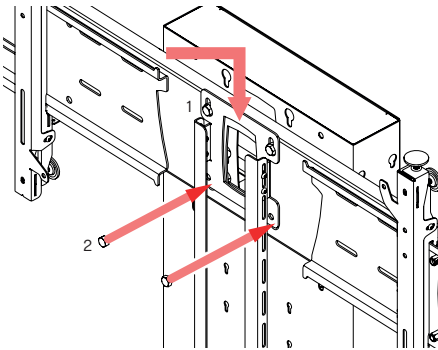
Connect rails² to mount unit¹. To adjust sound bar height, simply fix in the slots that best suit.

Connect the mount plate³ to the bottom of the rails². Next, follow either SBM1/SBM9 or SBT step.

SBM1 / SBM9

Each style can be mounted with the devices above or below the screen. Hook the assembled bracket over the rail of the PZX screen mount back plate.¹

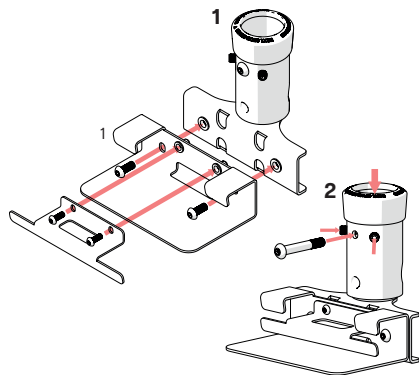
Adjust the horizontal positioning to suit, then tighten the screws underneath to secure into position.²



SBT

The SBT fixes to the 4x 150x150mm centre holes on the mast of some stands/trolleys. In some cases, this may include a span bar unit. In this instance, screens will need removing along with the bottom two fixings.

Loosen the top two fixings and slot the SBT tear-drop holes over the bolts¹. Line up the bottom two holes, and secure fixings into place². Tighten all fixings.



SBC

1. Designed to fit to suspended columns from a ceiling mount. Each mount plate¹ is dedicated to your device so the brackets holes will align with those situated on your device.

2. Remove through-bolt and loosen grub screws in socket. Align fixing holes in socket and column and fix with through-bolt. Tighten grub screws to finish.

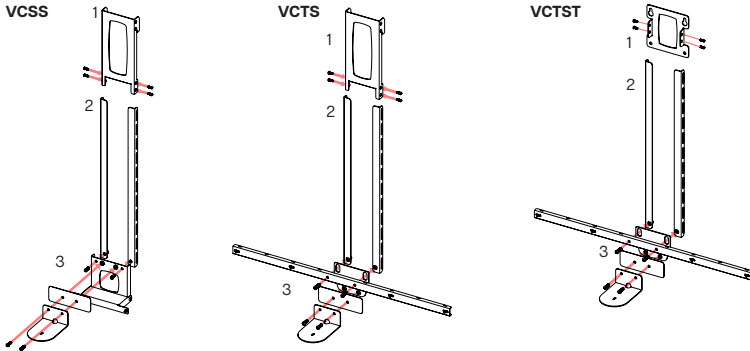


#	TOOLS REQUIRED
1	4mm & 5mm Allen Keys

INSTALLERS REQUIRED
1

COMPONENTS

#	DESCRIPTION	QTY
1	VCSS Rails	2
2	VCSS Clip-On Mount Unit	1
3	VCSS Mount Plate (Example)	1
4	VCTS Rails	2
5	VCTS Clip-On Mount Unit	1
6	VCTS Mount Plate (Example)	1
7	VCTST Rails	2
8	VCTST Bolt-On Mount Unit	1
9	VCTST Mount Plate (Example)	1



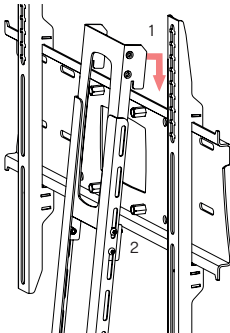
GENERAL ASSEMBLY INSTRUCTIONS

Connect your device to mount plate³. Each mount is dedicated to your devices so may vary from the image above.

Connect rails² to mount unit¹. To adjust sound/VC bar height, simply fix in the slots that best suit.

Connect the mount plate³ to the bottom of the rails².

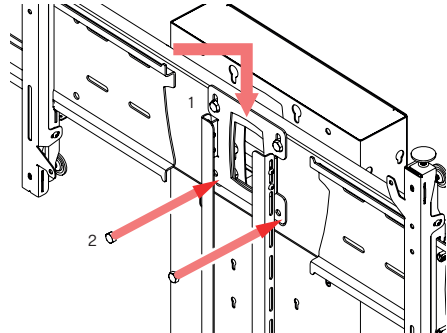
Finally, follow one of the next two steps depending on which part code you are installing.



VCSS1 / VCSS9 / VCTS1 / VCTS9

Each style can be mounted with the devices above or below the screen. Hook the assembled bracket over the rail of the PZX screen mount back plate.¹

Adjust the horizontal positioning to suit, then tighten the screws underneath to secure into position.²



VCTST

The VCTST fixes to the 4x 150x150mm centre holes on the mast of some stands/trolleys. In some cases, this may include a span bar unit. In this instance, screens will need removing as well as the bottom two fixings.

Loosen the top two fixings and slot the VCTST tear-drop holes over the bolts¹. Line up the bottom two holes, and secure fixings into place². Tighten all fixings.

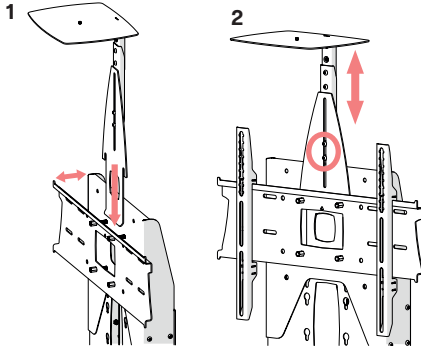


#	TOOLS REQUIRED
1	4mm & 5mm Allen Keys

INSTALLERS REQUIRED
1

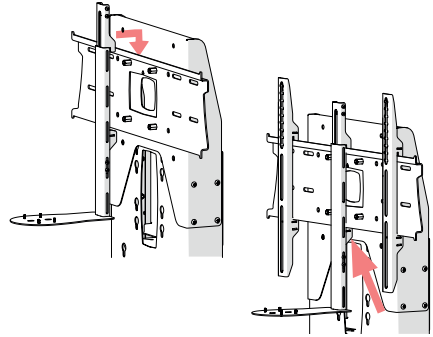
COMPONENTS

#	DESCRIPTION	QTY
1	VCM Typical Body	1
2	VCM Platform (Example)	1
3	VCM Adjustable Arm	1
4	VCMP Clip-On Arm	1
5	VCMP Platform (Example)	1
6	VCMT Platform (Example)	1
7	VCMT Adjustable Arm	1
8	VCMT Bolt-On Body	1
9	MCM Suspension Socket	1
10	MCM Platform (Example)	1



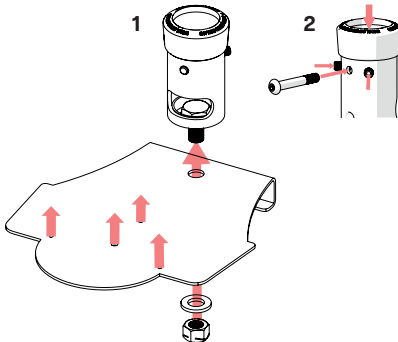
VCM / VCMT

1. The VCM can be fitted above or below the screen. It sits between mast and mount, slotting over the top 2 bolts that attach the screen mount to the stand. Loosen these bolts, slot the VCM in and tighten bolts.
2. Adjust the height of the platform by loosening the 2 screws highlighted and tightening when in position. Fix your VC camera to the platform to finish.



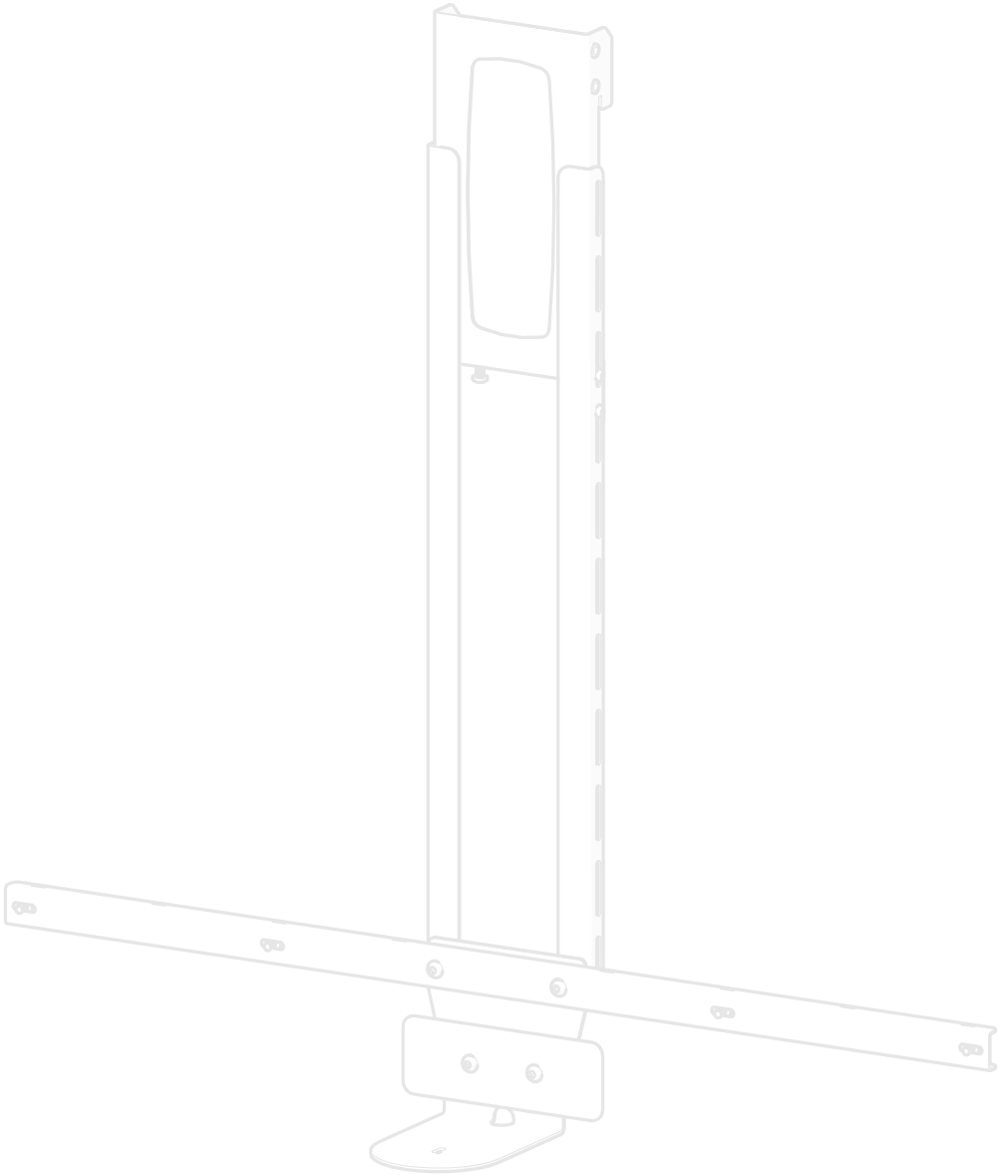
VCMP

1. The VCMP is a clip-on mount that can be fitted above or below the screen. It has height adjustment in the rails by removing 4 screws. Clip arm hook over mount backplate rail.
2. Secure by tightening a screw at the bottom of the mount backplate. Fix your VC camera to the platform to finish.



MCM1

1. Designed to fit to a column suspended from a ceiling mount. Fix your VC camera to the platform.
2. Remove through-bolt and loosen grub screws in socket. Align fixing holes in socket and column and fix with through-bolt. Tighten grub screws to finish.



Any Questions?

+44 (0)1865 767676

sales@unicol.com

unicol.com/instructions