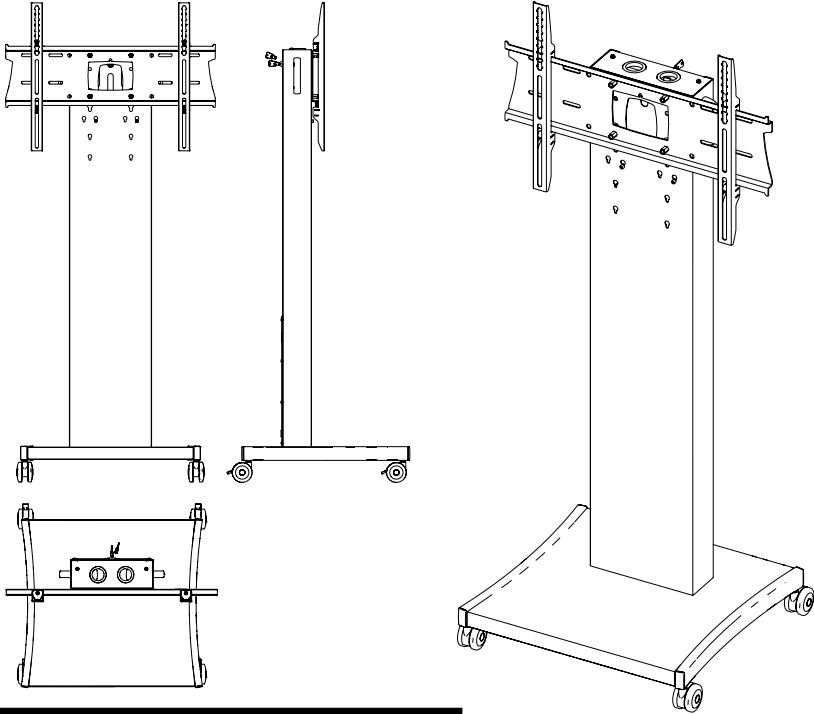




## RHL100



**Screen Size: 33-70" | Guide Max. Weight: 80kg**

*\*Please check model specific details before installing\**

**Revised 09/11/23**

### WARNING

Please carefully inspect the product before assembling. If you notice any apparent damage, call your carrier claims agent and do not continue the installation until it has been reviewed. Please watch for pinch points. Do not put your fingers between moveable parts. Do not tamper with or disassemble any spring loaded parts. Before installing, make sure that the supporting surface will support five times the combined load of the solution and the hardware. Never exceed the maximum load capacity. Please also layout all components to ensure that you have all of the required parts before proceeding (see BOM list on following page). Use of this product for anything other than its specified use may result in failure or personal injury. This product is intended for indoor use only. We recommend using a qualified trades person for installation. Use an assistant or lifting equipment to lift and position products.

*For support, please call: +44 (0)1865 767676 or email: sales@unicol.com*

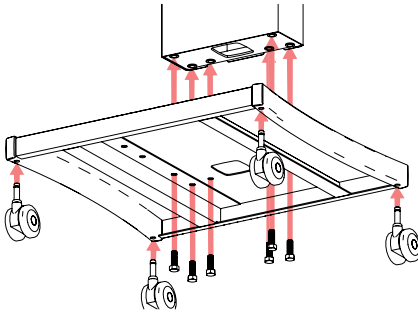


#	TOOLS REQUIRED
1	Pozi Head Screwdriver
2	4mm & 5mm Allen Keys
3	19mm Spanner
4	17mm Spanner
5	Rubber Mallet

INSTALLERS REQUIRED
<b>1-2</b>

**COMPONENTS**

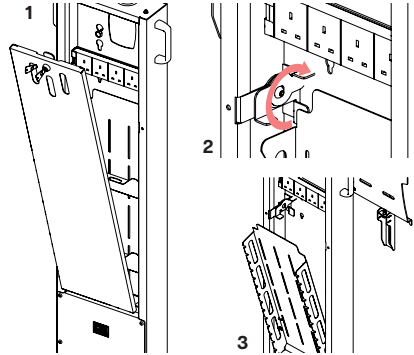
#	DESCRIPTION	QTY
1	Rhobus Mast (inc. cabinet door, equipment tray, handles & power socket)	1
2	Universal Mount Back Plate	1
3	Universal Mount Arms	2
4	7.5cm Castors (2 standard, 2 braked)	4
5	Standard Rhobus Lite Base	1
6	Alternative Stand Feet	4
7	2m Kettle Lead (300IECUK2)	1
8	Optional Accessories	-



### STEP 1

Connect base to mast as shown above via 6 fixing holes.

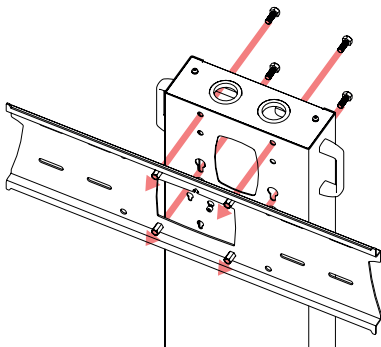
For a stand version, insert the plastic feet. For a trolley version, tap castors with the rubber mallet until they lock into place (ensure braked castors are at the front).



### STEP 2

Unlock and lift out rear door.<sup>1</sup>

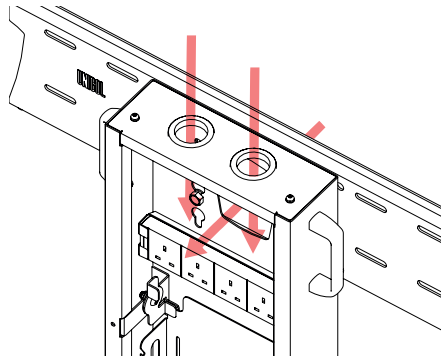
Twist the lock<sup>2</sup> located underneath the power socket on each side of the mast and remove the equipment tray.<sup>3</sup> You can now populate this tray - place it back in after step 3.



### STEP 3

Place 2x screws in the bottom two rivnuts of the mount back plate and slot into chosen keyholes in mast. From the rear, screw in top two screws into the back plate and fully tighten all 4 screws.

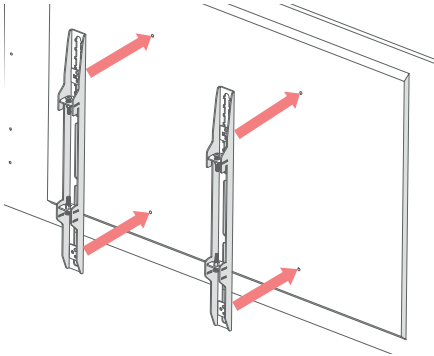
Place equipment tray back in and lock into place.



### STEP 4

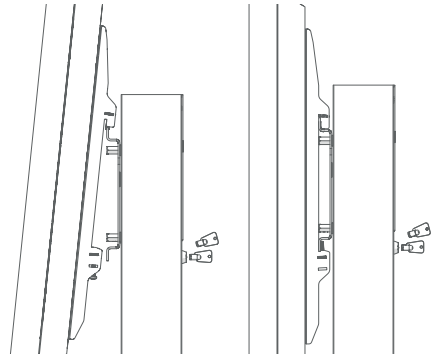
Feed cables for screen and equipment tray through hole in backplate and on top of the mast.

Once finished connecting all cables, place the rear door back and lock into place.



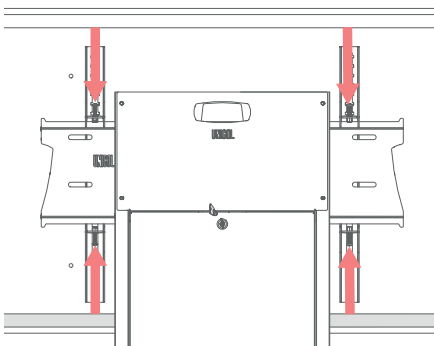
### STEP 5

Locate the mounting holes on the back of your screen. Line the two mounting arms up and using the taglocks/two part spacers provided and the manufacturer recommended screws, attach the arms to the back of the screen.



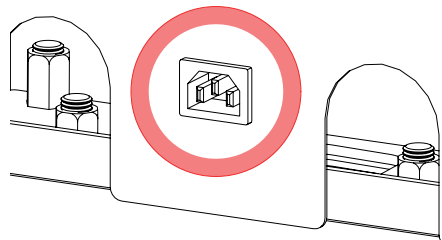
### STEP 6

Line the screen and arms up with the secured back plate and offer it up at a slight angle - allowing the top of the arms to hook over the lip of the back plate.



### STEP 7

Gently lower the screen until the arms are securely hanging on top of the back plate. Once centered, adjust the level of the screen with the two top screws on the mount arms. Once levelled secure the screen by tightening the bottom two screws.



### STEP 8

Once all set up, take the supplied kettle lead and plug into the bottom of the Rhobus mast and into a wall socket. The stand will now have power throughout.