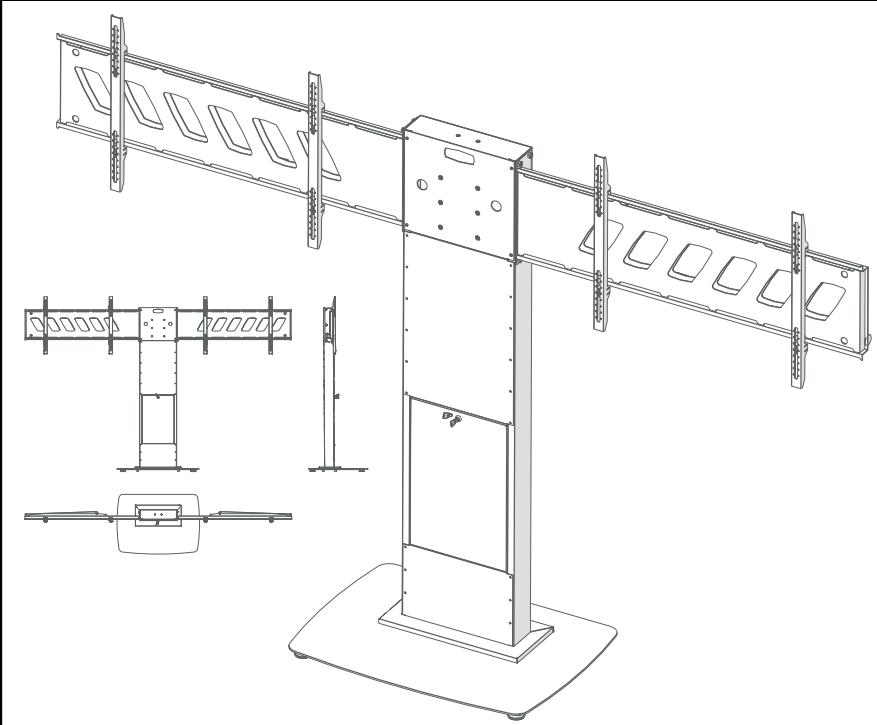


## RH200UHD



Screen Size: 71-98" | Guide Max. Weight: 200kg

*\*Please check model specific details before installing\**

Revised 22/01/21

### WARNING

Please carefully inspect the product before assembling. If you notice any apparent damage, call your carrier claims agent and do not continue the installation until it has been reviewed. Please watch for pinch points. Do not put your fingers between moveable parts. Do not tamper with or disassemble any spring loaded parts. Before installing, make sure that the supporting surface will support five times the combined load of the solution and the hardware. Never exceed the maximum load capacity. Please also layout all components to ensure that you have all of the required parts before proceeding (see BOM list on following page). Use of this product for anything other than its specified use may result in failure or personal injury. This product is intended for indoor use only. We recommend using a qualified trades person for installation. Use an assistant or lifting equipment to lift and position products.

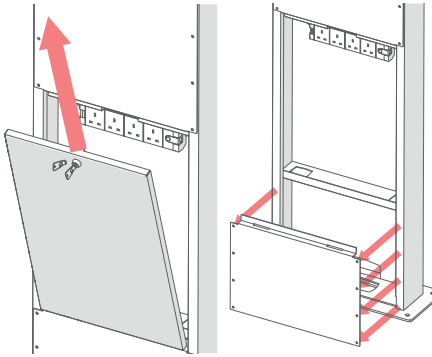
*For support, please call: +44 (0)1865 767676 or email: sales@unicol.com*

#	TOOLS REQUIRED
1	Pozi Head Screwdriver
2	4mm & 5mm Allen Keys
3	19mm Spanner
4	17mm Spanner

INSTALLERS REQUIRED
<b>2-3</b>

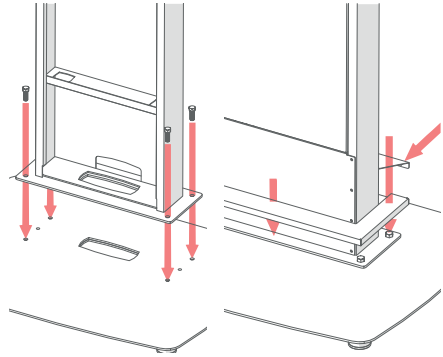
**COMPONENTS**

#	DESCRIPTION	QTY
1	RH200UHD Heavy Duty Mast	1
2	Heavy Duty Mount Arms	2
3	Universal Screen Arms	4
4	Stabilisation Arms	2
5	Two Part Base Cover	1
6	Heavy Duty Stand Base	1
7	Optional Accessories	-



### STEP 1

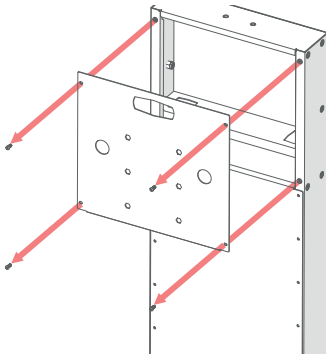
Unlock and lift out front cabinet door. Remove lower front panel by unscrewing 8x M6 screws and put aside.



### STEP 2

Connect base to mast as shown. For a trolley version, tap castors with the rubber mallet until they lock into place (ensure braked castors are at the front).

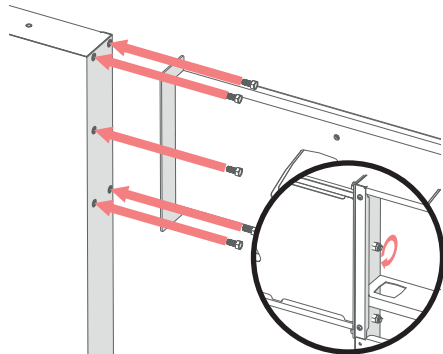
Place the base cover over the screws on the base and secure at the rear.



### STEP 3

Remove the 4x screws from the top front panel and put the panel aside.

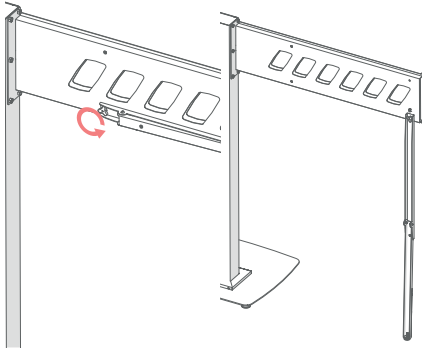
Place equipment in the cabinet section at the bottom and feed cables through the top, down the mast and into the cabinet section.



### STEP 4

Offer one of the mount arms up to the side of the mast (lipped side facing the front) and secure into position (as shown above) by accessing the nuts from inside the mast.

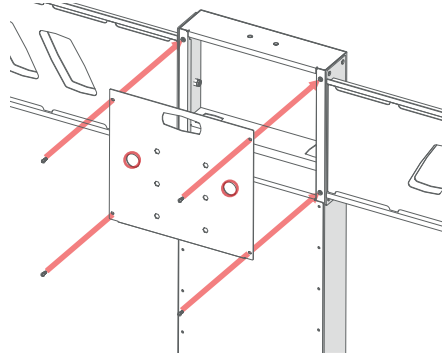
Repeat for the other side.



### STEP 5

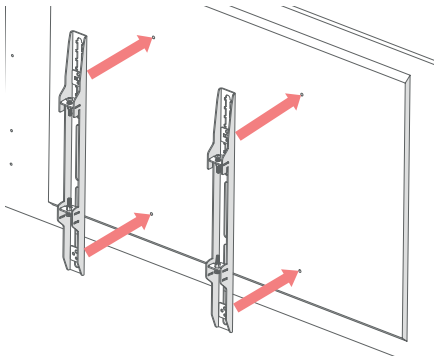
**\*\*This must be done before fitting either screen and should remain in the support position (shown above) until both screens are fitted.\*\***

Undo the handwheel at the back of the mount arm to release the stabilisation arm. Pivot down and unfold. Screw handwheel into rear of arm (as shown) to secure. Adjust the foot at the bottom so that it rests flat on the ground. Repeat for the other side.



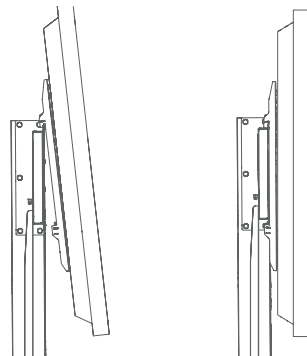
### STEP 6

Thread any cabling through the highlighted holes in the top front panel. Screw the panel back into place as shown and tighten.



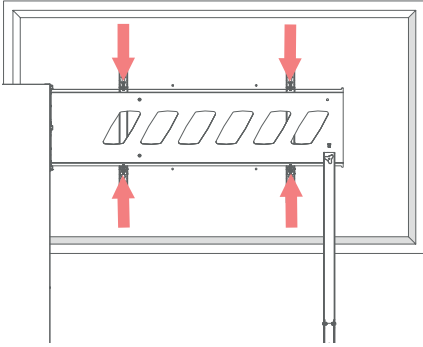
### STEP 7

Locate the mounting holes on the back of your screens. Line the two mounting arms up (ensure the hook section is at the top of the screen, as shown) and using the taglocks/two part spacers provided and the manufacturer recommended screws, attach the arms to the back of the screens.



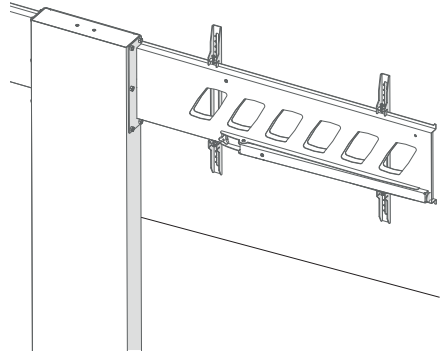
### STEP 8

Line the screen and arms up with the back plate and offer it up at a slight angle - allowing the top of the arms to hook over the lip of the back plate. Gently lower the screen until the arms are securely hanging on top of the back plate.



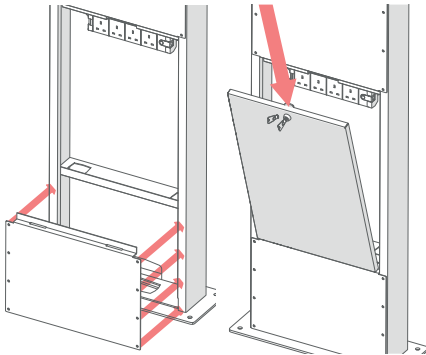
### STEP 9

Once centered, adjust the level of the screen with the two top screws on the mount arms. Once levelled secure the screen by tightening the bottom two screws.



### STEP 10

When screens are fully secure, undo the handwheel and fold the stabilisation arm back up. Reattach to the back of the mount arm.



### STEP 11

Finish cabling and resecure the bottom front panel. Slot the cabinet door back into position and lock.