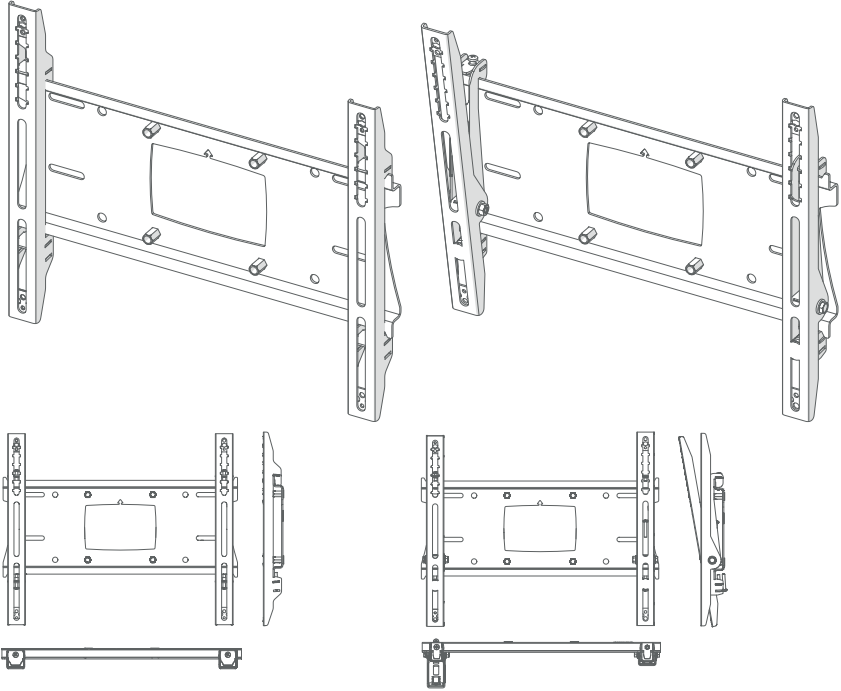


PZX0 / PZX1 / PZX3 / PZX5 / PZX9 / PPZX2 PPZX9 / PZW0 / PZW1 / PZW3 / PZW8



Screen Size: 33 - 110" | Guide Max. Weight: 60-120kg

Please check model specific details before installing

Revised 14/12/20

WARNING

Please carefully inspect the product before assembling. If you notice any apparent damage, call your carrier claims agent and do not continue the installation until it has been reviewed. Please watch for pinch points. Do not put your fingers between moveable parts. Do not tamper with or disassemble any spring loaded parts. Before installing, make sure that the supporting surface will support five times the combined load of the solution and the hardware. Never exceed the maximum load capacity. Please also layout all components to ensure that you have all of the required parts before proceeding (see BOM list on following page). Use of this product for anything other than its specified use may result in failure or personal injury. This product is intended for indoor use only. We recommend using a qualified trades person for installation. Use an assistant or lifting equipment to lift and position products.

For support, please call: +44 (0)1865 767676 or email: sales@unicol.com

#	TOOLS REQUIRED
1	Pozi Head Screwdriver

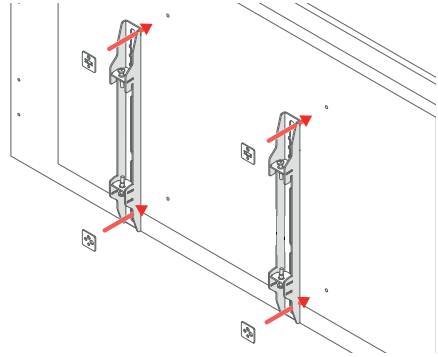
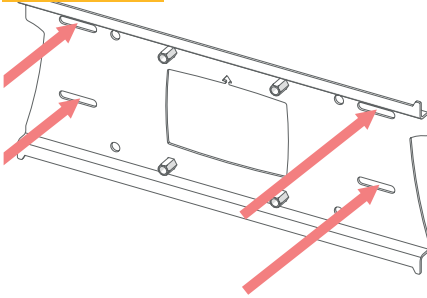
#	OPTIONAL
1	13mm Spanner (adjusting tension in tilting arms)

INSTALLERS REQUIRED
1-2

COMPONENTS

#	DESCRIPTION	QTY
1	Pozimount Back Plate	1
2	Pozimount Arms	2
3	Griplock Tags	2
4	Griplock Spacers	2
5	Universal Fixing Kit	1
6	Alternative Pozimount Tilting Arms	-
7	Alternative Back Plates	-

WALL FIXING



STEP 1

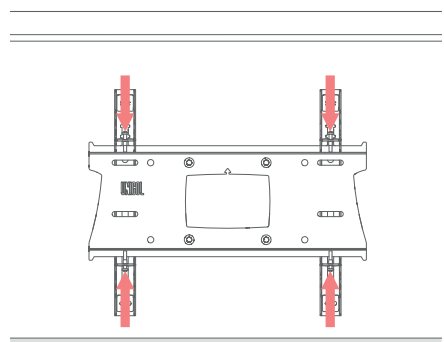
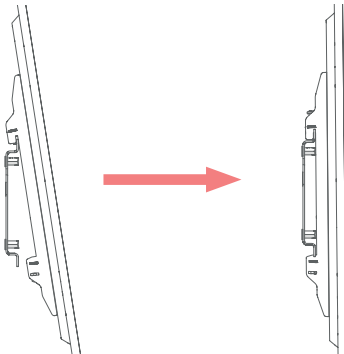
Using the 4 - 8 wall mounting slots cut out on the back plate, determine where you want to install your mount, mark it and fix into position.

STEP 2

Utilising the tag locks and fixing pack provided with your mount, attach the arms to the back of your screen.

Please consider cabling and wall fixings prior to installation. Please check surface is capable of supporting 5x the combined solutions weight.

Ensure the arms are the correct way up before tightening - the 'hook' part of the arm should be at the top.



STEP 3

Using another team member, lift the screen up and gradually offer it up to the back plate. Gently tilting the screen forward, hook the arms over the lip of the back plate and lower once in position.

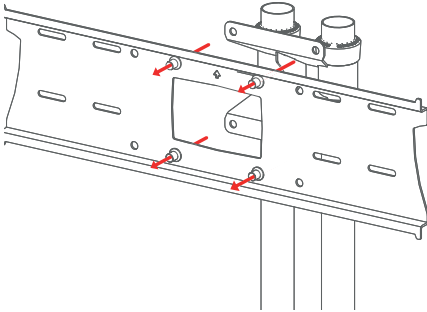
STEP 4

Once centered, ensure the bottom screws are not screwed tight and screw down the top screws to level the screen. Once level tighten bottom screws to secure the mount. ALT: If using tilting arms, this is when you can adjust them to suit.

Centre the screen horizontally by sliding from side to side until you are happy with the position.

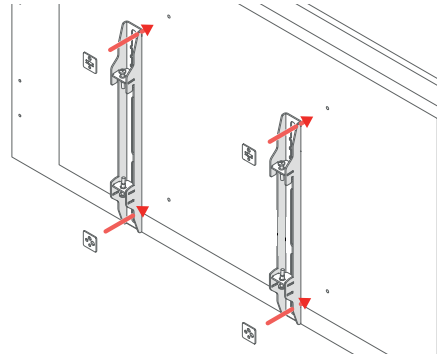
Note that you won't be able to adjust the screens position after the screws have been tightened.

STAND / TROLLEY



STEP 1

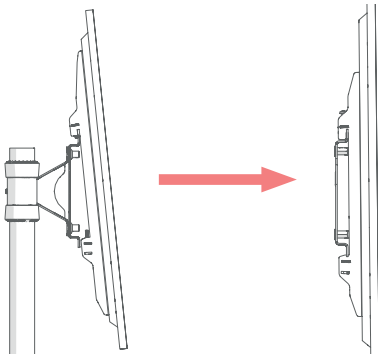
Line the back plate up with the mount adapter, as shown above. Fix 4 screws from behind the mount adapter and into the 4 rivet nuts located on the back plate. Ensure back plate is secure and screws are tightened.



STEP 2

Utilising the tag locks and fixing pack provided with your mount, attach the arms to the back of your mount.

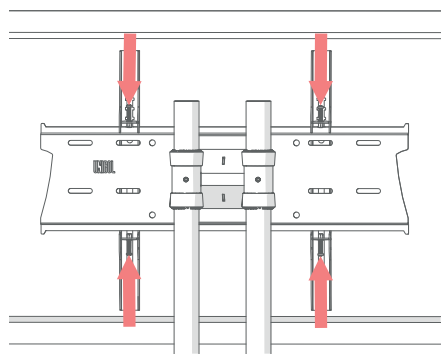
Ensure the arms are the correct way up before tightening - the 'hook' part of the arm should be at the top.



STEP 3

Using another team member, lift the screen up and gradually offer it up to the back plate. Gently tilting the screen forward, hook the arms over the lip of the back plate and lower once in position.

Centre the screen horizontally by sliding from side to side until you are happy with the position.



STEP 4

Once centered, ensure the bottom screws are not screwed tight and screw down the top screws to level the screen. Once level tighten bottom screws to secure the mount. ALT: If using tilting arms, this is when you can adjust them to suit.

Note that you won't be able to adjust the screens position after the screws have been tightened.