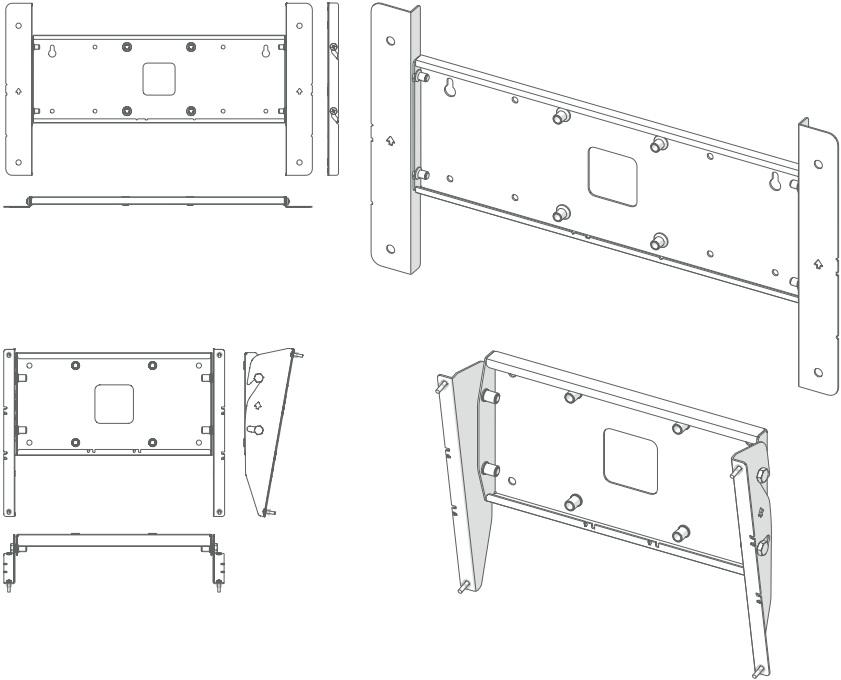


## PLX1 / PLX3 / PPX1 PLW1 / PLW3 / PPW1 / PPW3



Screen Size: 33-110" | Guide Max. Weight: 80-150kg

*\*Please check model specific details before installing\**

Revised 15/12/20

### WARNING

Please carefully inspect the product before assembling. If you notice any apparent damage, call your carrier claims agent and do not continue the installation until it has been reviewed. Please watch for pinch points. Do not put your fingers between moveable parts. Do not tamper with or disassemble any spring loaded parts. Before installing, make sure that the supporting surface will support five times the combined load of the solution and the hardware. Never exceed the maximum load capacity. Please also layout all components to ensure that you have all of the required parts before proceeding (see BOM list on following page). Use of this product for anything other than its specified use may result in failure or personal injury. This product is intended for indoor use only. We recommend using a qualified trades person for installation. Use an assistant or lifting equipment to lift and position products.

*For support, please call: +44 (0)1865 767676 or email: sales@unicol.com*

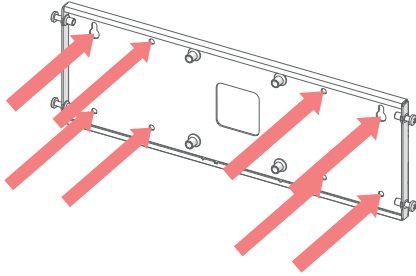
#	TOOLS REQUIRED
1	Pozi Head Screwdriver
2	17mm Spanner (when fixing to trolley)
3	3/16th Allen Key

INSTALLERS REQUIRED
1-2

**COMPONENTS**

#	DESCRIPTION	QTY
1	Dedicated Mount Arms	2
2	Dedicated Back Plate	1
3	M8 x 25 Cross Head Screws	4
4	Optional 15mm Diameter Spacers	-
5	PLW Dedicated Tilting Mount Arms	-
6	Alternative Dedicated Mount Arm Styles	-

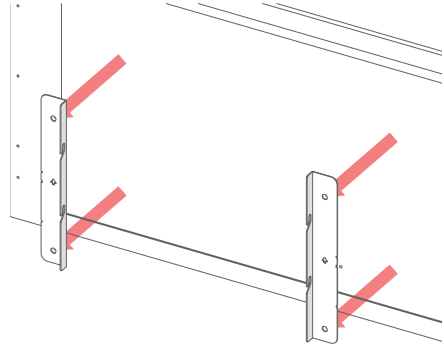
## WALL FIXING



### STEP 1

Using the 4 - 8 wall mounting slots cut out on the back plate, determine where you want to install your mount, mark it and fix into position.

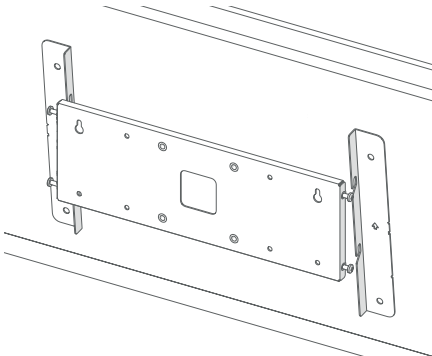
*Please consider cabling and wall fixings prior to installation. Please check surface is capable of supporting 5x the combined solutions weight.*



### STEP 2

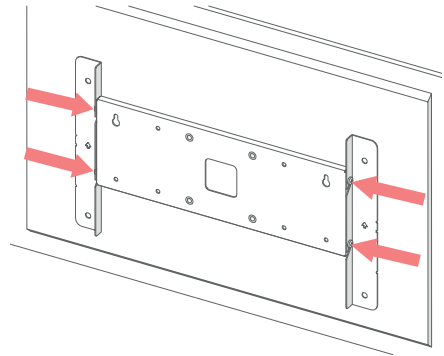
Utilising the fixing pack provided with your mount, attach the arms to the back of your screen.

*Ensure the arms are the correct way up before tightening.*



### STEP 3

Using another team member, lift the screen up and gradually offer it up to the back plate. Gently tilt the screen forward and hook the arms over the screws that are protruding out from the sides of the back plate. Lower the screen until it is securely in place.

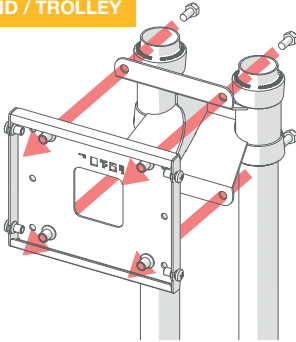


### STEP 4

Once securely positioned, tighten the side screws to secure to the mount.

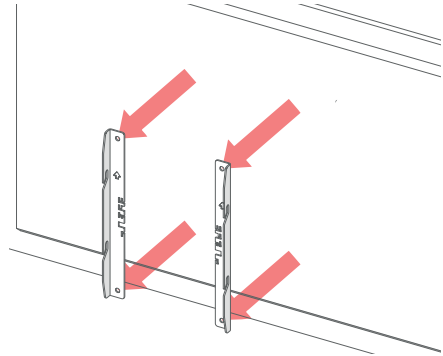
*ALT: If using tilting arms, this is when you can adjust them to suit.*

## STAND / TROLLEY



### STEP 1

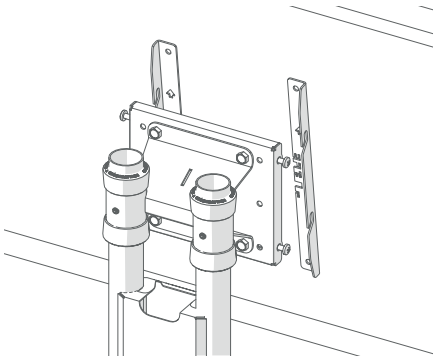
Line the back plate up with the mount adapter, as shown above. Fix 4 screws from behind the mount adapter and into the 4 rivet nuts located on the back plate. Ensure back plate is secure and screws are tightened.



### STEP 2

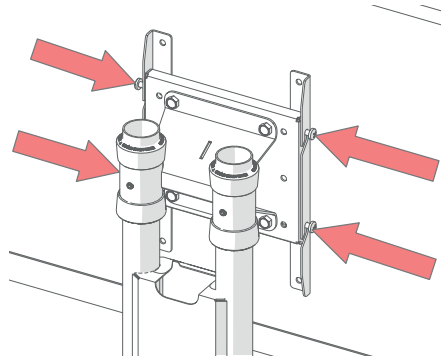
Utilising the fixing pack provided with your mount, attach the arms to the back of your screen.

*Ensure the arms are the correct way up before tightening.*



### STEP 3

Using another team member, lift the screen up and gradually offer it up to the back plate. Gently tilt the screen forward and hook the arms over the screws that are protruding out from the sides of the back plate. Lower the screen until it is securely in place.



### STEP 4

Once securely positioned, tighten the side screws to secure to the mount.

*ALT: If using tilting arms, this is when you can adjust them to suit.*