



Wall Arms – PLA & PLS – SSV & SRV

PLA1X1

PLS1X1

Screen Size: 33-57" | Guide Max. Weight: 30kg
Please check model specific details before installing

SSV

SRV

Screen Size: 15-32" | Guide Max. Weight: 20kg
Please check model specific details before installing

Revised 24/02/22

WARNING

Please carefully inspect the product before assembling. If you notice any apparent damage, call your carrier claims agent and do not continue the installation until it has been reviewed. Please watch for pinch points. Do not put your fingers between moveable parts. Do not tamper with or disassemble any spring loaded parts. Before installing, make sure that the supporting surface will support five times the combined load of the solution and the hardware. Never exceed the maximum load capacity. Please also layout all components to ensure that you have all of the required parts before proceeding (see BOM list on following page). Use of this product for anything other than its specified use may result in failure or personal injury. This product is intended for indoor use only. We recommend using a qualified trades person for installation. Use an assistant or lifting equipment to lift and position products.

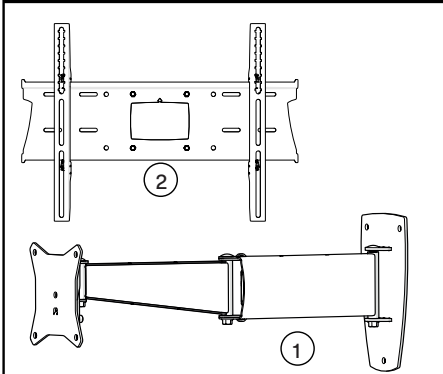
For support, please call: +44 (0)1865 767676 or email: sales@unicol.com



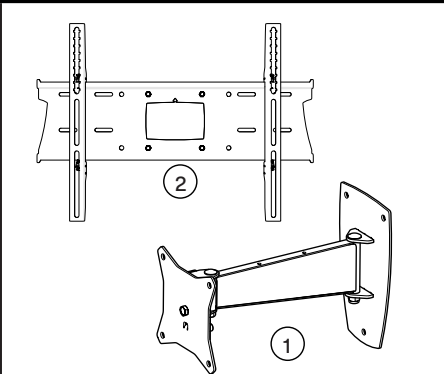
#	TOOLS REQUIRED
1	3/16 th Allen Key
2	Pozidrive Screwdriver
3	17mm Spanner
4	
5	

INSTALLERS REQUIRED
1-2

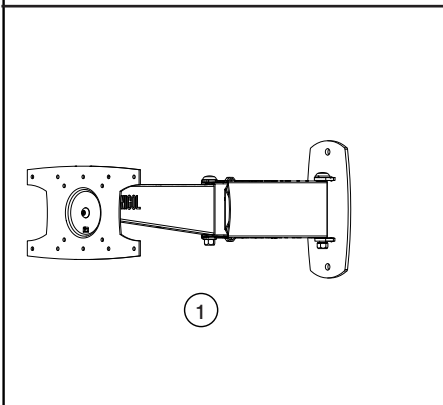
COMPONENTS



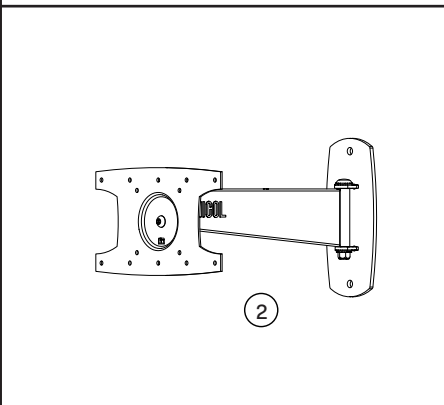
#	DESCRIPTION	QTY
1	PLA Double Swing Arm	1
2	PZX Universal Mount	



#	DESCRIPTION	QTY
1	PLS Single Swing Arm	1
2	PZX Universal Mount	1



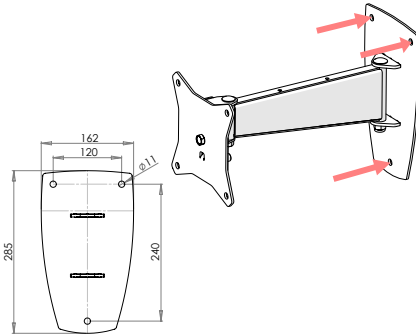
#	DESCRIPTION	QTY
1	SSV Double Swing Arm Complete	1



#	DESCRIPTION	QTY
1	SRV Single Swing Arm Complete	1



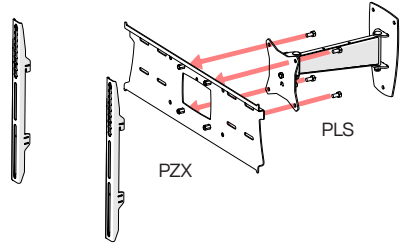
PLS & PLA



STEP 1 - (PLS & PLA)

Using the 3 mounting holes in the back plate, determine where you want to install your mount, mark and fix into position using suitable anchors & screws.

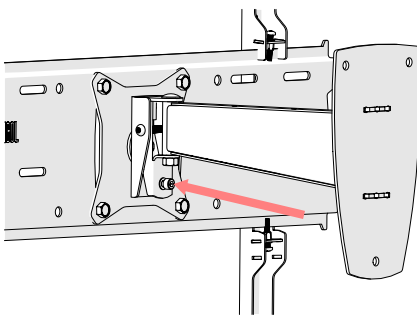
Please consider cabling and wall fixings prior to installation. Please check surface is capable of supporting 5x the combined solutions weight.



STEP 2 - (PLS & PLA)

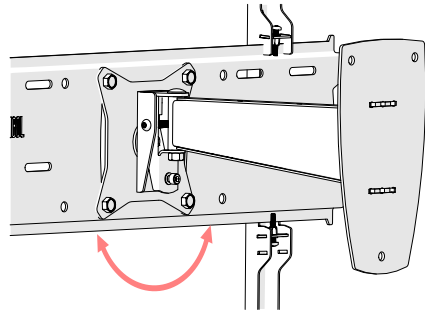
A separate universal mount (PZX) is provided to mount your screen to the PLS or PLA. Separate instructions are provided with each screen mount. Follow these to mount your screen onto the mount backplate.

Fix the PZX backplate to the head of the PLS/PLA using the M25 hex head screws provided.



STEP 3 - (PLS & PLA)

There is fine adjustment of the screen tilt angle using the allen key provided to rotate the knurled adjuster on the rear of the mount. Turn clockwise to tilt upwards.



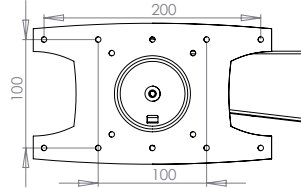
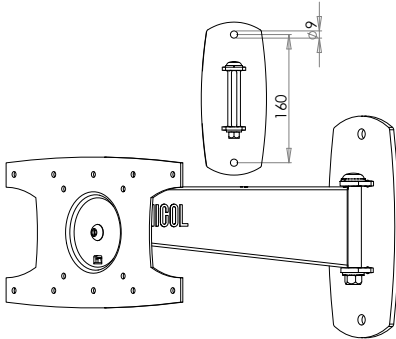
STEP 4 - (PLS & PLA)

The screen can be levelled slightly by rotating the screen clockwise or anticlockwise.

Cable up your screen using cable ties through the holes in the arms. The PLA has extra tags on the elbow of the first arm for this purpose.



SRV & SSV



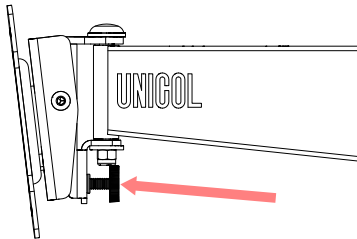
STEP 1 – (SRV & SSV)

Using the 2 mounting holes in the back plate, determine where you want to install your mount, mark and fix into position using suitable anchors & screws.

Please consider cabling and wall fixings prior to installation. Please check surface is capable of supporting 5x the combined solutions weight.

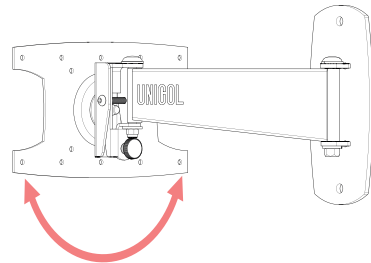
STEP 2 – (SRV & SSV)

Fix your screen to the mounting plate shown above with the appropriate screws. There are fixing holes for VESA 100x100 and 100x200.



STEP 3 – (SRV & SSV)

There is fine adjustment of the screen tilt angle using the knurled adjuster on the rear of the mount. Turn clockwise to tilt upwards.



STEP 4 – (SRV & SSV)

The screen can be levelled slightly by rotating the screen clockwise or anticlockwise.

Cable up your screen using cable ties through the holes in the arms. The SSV has extra tags on the elbow of the first arm for this purpose.