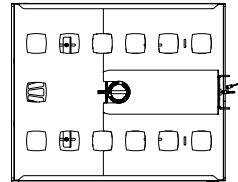
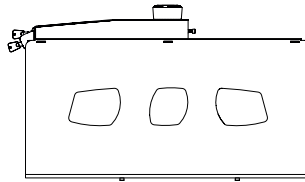
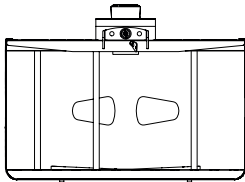
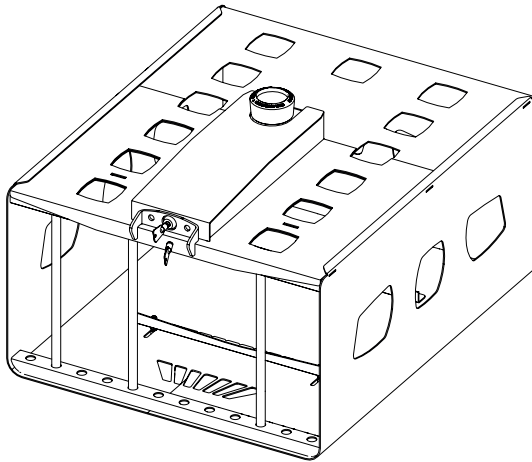




PGG / PGL / PGM / PGS / PGW / PGX



Screen Size: n/a | Guide Max. Weight: 20kg

Please check model specific details before installing

Revised 05/01/24

WARNING

Please carefully inspect the product before assembling. If you notice any apparent damage, call your carrier claims agent and do not continue the installation until it has been reviewed. Please watch for pinch points. Do not put your fingers between moveable parts. Do not tamper with or disassemble any spring loaded parts. Before installing, make sure that the supporting surface will support five times the combined load of the solution and the hardware. Never exceed the maximum load capacity. Please also layout all components to ensure that you have all of the required parts before proceeding (see BOM list on following page). Use of this product for anything other than its specified use may result in failure or personal injury. This product is intended for indoor use only. We recommend using a qualified trades person for installation. Use an assistant or lifting equipment to lift and position products.

For support, please call: +44 (0)1865 767676 or email: sales@unicol.com

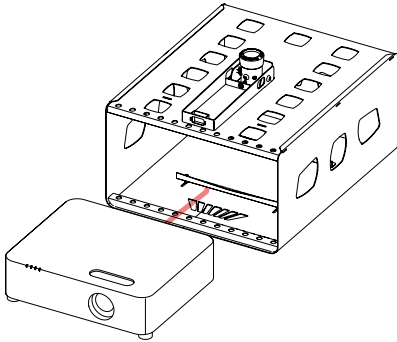


#	TOOLS REQUIRED
1	4mm & 5mm Allen Keys
2	Pozi Head Screwdriver
3	19mm Spanner
4	17mm Spanner

INSTALLERS REQUIRED
1

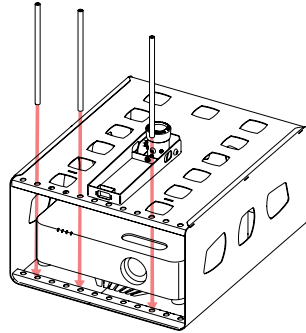
COMPONENTS

#	DESCRIPTION	QTY
1	Guardbox Body	1
2	Locking Plate	1
3	Keys for Built-In Lock	2
4	Security Bars	3



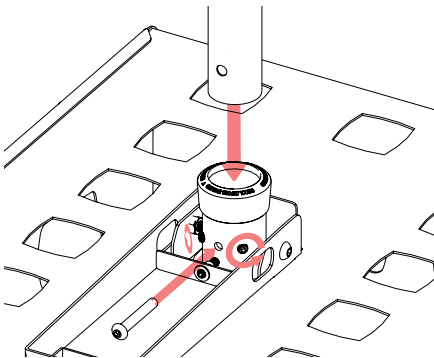
STEP 1

Place projector inside the Guardbox cage. Ensure that it rests on the two adjustable rail inside the cage.



STEP 2

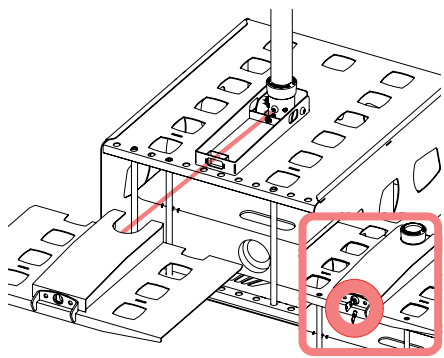
Drop the security bars into position as shown above. Make sure that the projector lens is not covered or restricted by the bars.



STEP 3

Before placing the Look Slider Plate, place your ceiling suspension column into the socket. Ensure that the holes in the column line up with the hole in the column. Thread the through-bolt through the hole in the socket and secure.

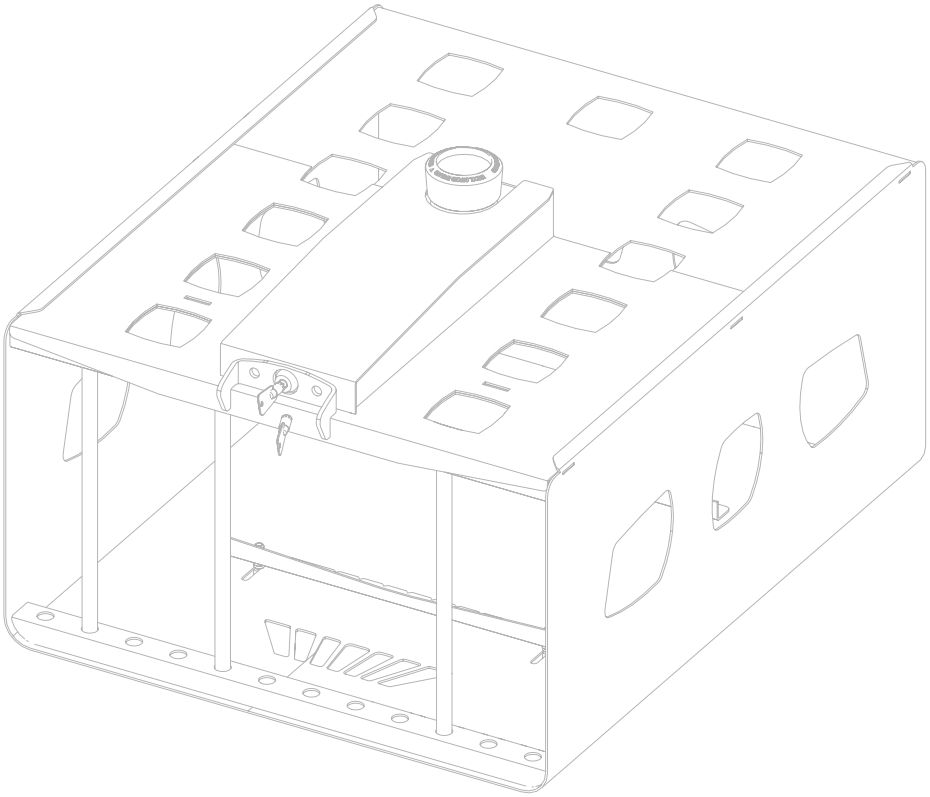
Next, tighten the grub screws located either side of the through-bolt hole.



STEP 4

Take the locking plate and slide it over the front half of the top of the Guardbox. This should slide over the column socket fixings, protecting them from being tampered with.

Once positioned, use the keys to secure the locking plate. Take a record of the numbers located on the keys for replacement purposes.



Any Questions?

+44 (0)1865 767676

sales@unicol.com

unicol.com/instructions