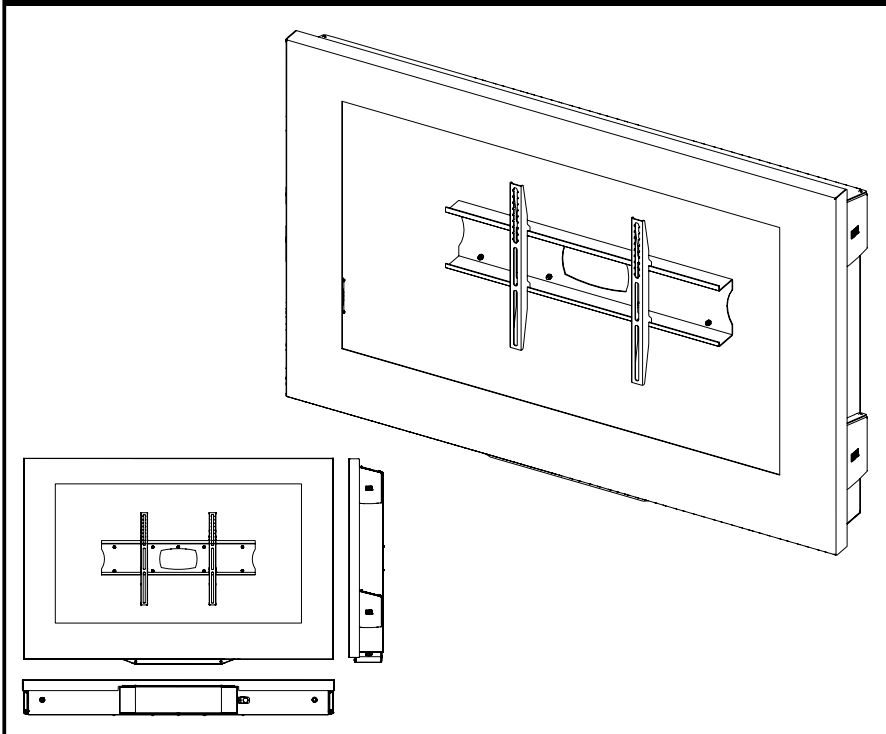




## ODH



**Screen Size:** 30-86" | **Guide Max. Weight:** variable

\*Please check model specific details before installing\*

Revised 15/08/24

### WARNING

Please carefully inspect the product before assembling. If you notice any apparent damage, call your carrier claims agent and do not continue the installation until it has been reviewed. Please watch for pinch points. Do not put your fingers between moveable parts. Do not tamper with or disassemble any spring loaded parts. Before installing, make sure that the supporting surface will support five times the combined load of the solution and the hardware. Never exceed the maximum load capacity. Please also layout all components to ensure that you have all of the required parts before proceeding (see BOM list on following page). Use of this product for anything other than its specified use may result in failure or personal injury. This product is intended for indoor use only. We recommend using a qualified trades person for installation. Use an assistant or lifting equipment to lift and position products.

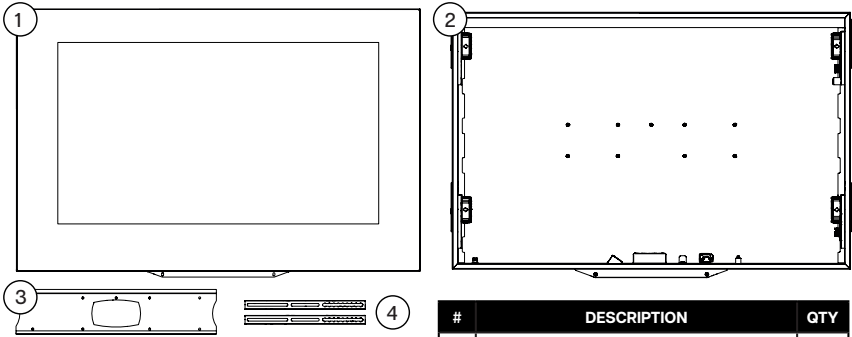
For support, please call: +44 (0)1865 767676 or email: sales@unicol.com



#	TOOLS REQUIRED
1	Security Allen Keys
2	Pozi Head Screwdriver

INSTALLERS REQUIRED
2

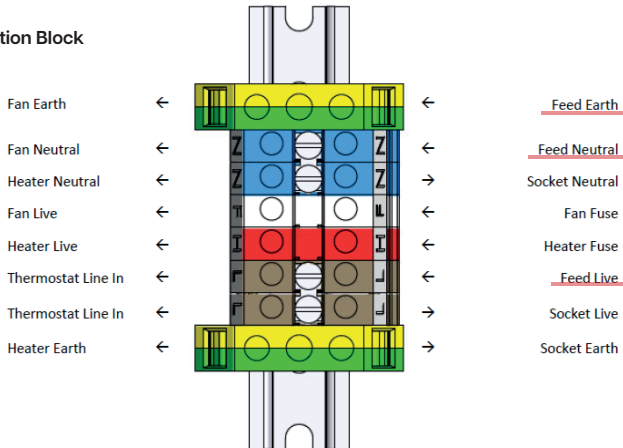
## COMPONENTS

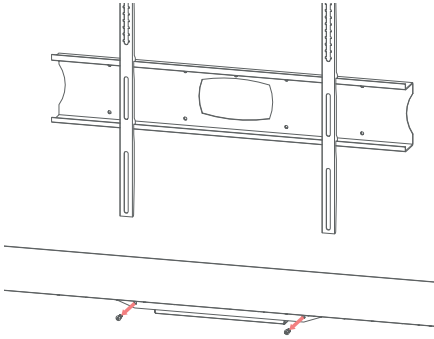


*Please Note: Power Cable Not Supplied*

#	DESCRIPTION	QTY
1	Front Cover and Polycarbonate Screen	1
2	ODH Main Body inc. Components	1
3	Mount Back Plate	1
4	Mounting Arms	2

### Main Connection Block

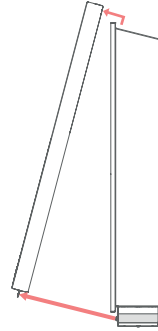




### STEP 1

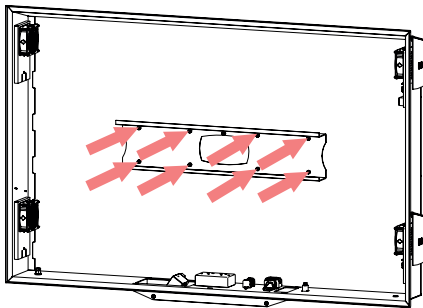
Remove both front cover retaining screws using the security allen key.

*Please Note: you will need to connect your own power cable and supply - if unsure please consult a qualified electrician.*



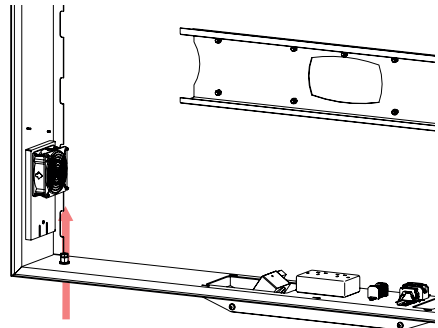
### STEP 2

Lift off front cover by unhooking at top. Separate Main Body from Screen rail by unbolting transport bolts from screen rail and main body.



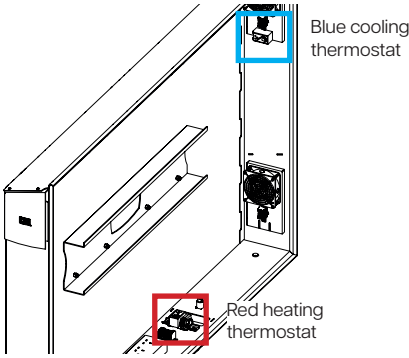
### STEP 3

Using Screen rail mark wall mounting holes in desired position. Sandwich Main Body between wall and Screen Rail when fixing to wall.



### STEP 4

Utilise the cable entry hole through grommet located on the bottom of the casing to connect a power source to internal terminal block (Step 5).



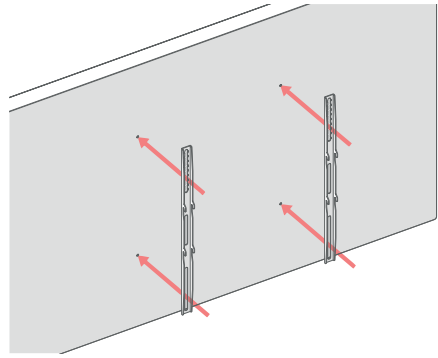
Blue cooling thermostat

Red heating thermostat

**STEP 5**

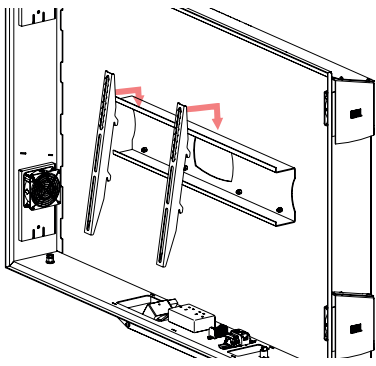
Connect the feed to the housing via the highlighted feed points, as shown in the BOM.

The blue thermostat (top) should be set to 30°C (12 o'clock) and the red heater thermostat (bottom) is set to ~13°C (9 o'clock) as this stops the system from getting too cold and keeps the temperature within the screens nominal operating range.



**STEP 6**

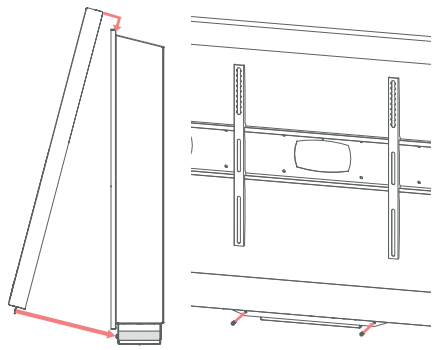
Locate the mounting holes on the back of your screen. Line the two mounting arms up (position arm hooks at the top of the screen) and using the tag locks and manufacturer recommended screws supplied in fixing kit, attach the arms to the back of the screen.



**STEP 7**

Using another team member, lift the screen up and gradually offer it up to the back plate. Double hook the arms over the lips of the back plate and lower.

Centre the screen horizontally by sliding from side to side until you are happy with the position. Finish cabling and connect to power source.



**STEP 8**

Hook the front cover over the lip at the top of the housing and tilt/lower it into position.

Refit front cover screws.