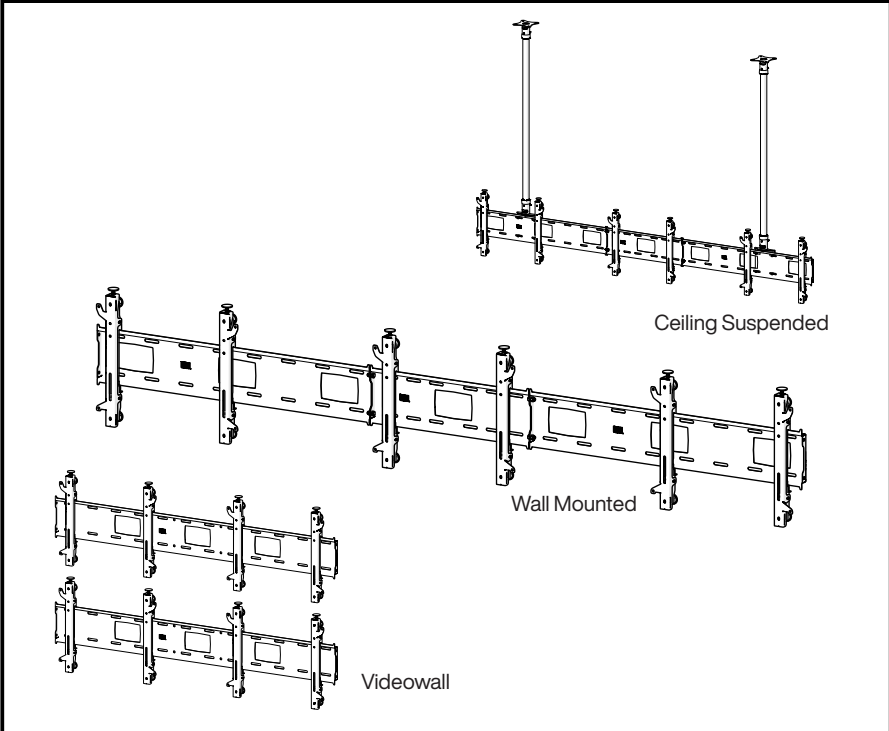


## SCREEN RAIL



Screen Size: 33-70" | Guide Max. Weight: 35-60kg

\*Please check model specific details before installing\*

Revised 17/05/23

### WARNING

Please carefully inspect the product before assembling. If you notice any apparent damage, call your carrier claims agent and do not continue the installation until it has been reviewed. Please watch for pinch points. Do not put your fingers between moveable parts. Do not tamper with or disassemble any spring loaded parts. Before installing, make sure that the supporting surface will support five times the combined load of the solution and the hardware. Never exceed the maximum load capacity. Please also layout all components to ensure that you have all of the required parts before proceeding (see BOM list on following page). Use of this product for anything other than its specified use may result in failure or personal injury. This product is intended for indoor use only. We recommend using a qualified trades person for installation. Use an assistant or lifting equipment to lift and position products.

For support, please call: +44 (0)1865 767676 or email: sales@unicol.com

#	TOOLS REQUIRED
1	3/16th Allen Key
2	17mm Spanner (for M10)
3	Pozidrive Screwdriver

INSTALLERS REQUIRED
1-2

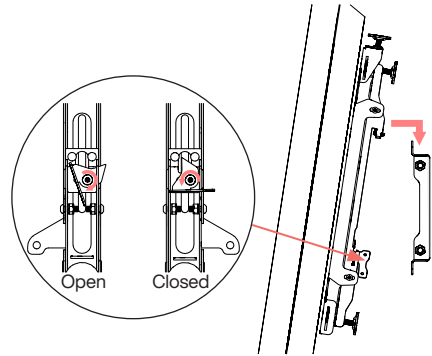
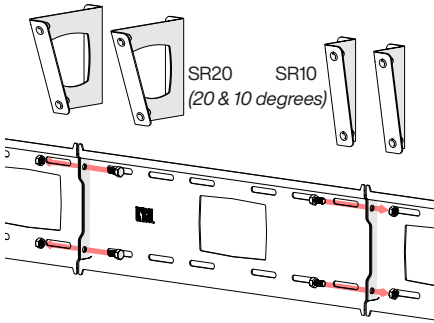
**COMPONENTS**

The diagram illustrates the following components:

- 1**: Standard length Rail (various lengths available)
- 2**: Longer length Rail (various lengths available)
- 3**: Tool-less adjustable screen arms
- 4**: Ceiling Plate
- 5**: Column (various lengths available)
- 6**: Adapter
- 7**: 10 degree fixed tilt bracket
- 8**: 20 degree fixed tilt bracket

#	DESCRIPTION	QTY
1	Standard length Rail (various lengths available)	#
2	Longer length Rail (various lengths available)	#
3	Tool-less adjustable screen arms	#
4	Ceiling Plate	#
5	Column (various lengths available)	#
6	Adapter	#
7	10 degree fixed tilt bracket	#
8	20 degree fixed tilt bracket	#
#	Quantities vary depending on installation	

## WALL MOUNTED



### STEP 1

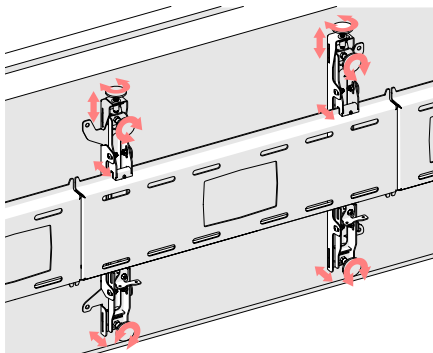
Join the rails together using the M10x20 Hex Bolts and nuts supplied (2 at each joint). This can be done either before fixing to the wall or after depending on what is easiest. Fix to the wall through slots provided using masonry plugs or other reliable fixings suitable for 5 x the load including all fittings. Ensure the rails are level.

To tilt the whole rail, use either SR10 or SR20 fixed tilt brackets between wall and rail wall fixing points.

### STEP 2

Fix rail arms to the fixing holes in your screen. Turn arm screen locks to open position. Using another team member, lift each screen up and gradually offer it up to the rail. Gently tilting the screen forward, hook the arms over the rail lip and allow the screen to lower.

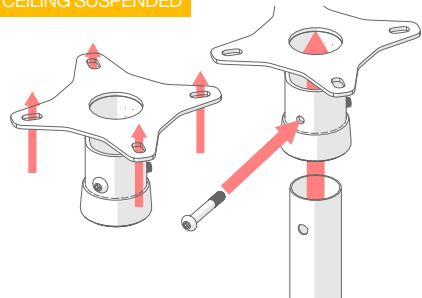
Centre the screens horizontally by sliding from side to side until screens are butted together.



### STEP 3

Once centred, ensure the bottom levers on the arms are locked. Adjust each screen so that it is level with the next screen by rotating the round knobs in or out at the top, bottom and rear of each arm. Connect cables to screen to complete installation.

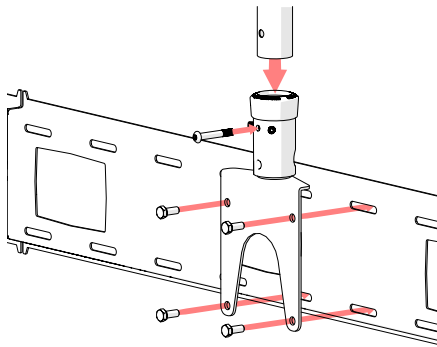
## CEILING SUSPENDED



### STEP 1

Determine where you want to install your ceiling mounts, mark and fix into position using suitable anchors. Using the through bolt, secure the column into place and tighten the two grub screws at the rear.

*Please consider cabling and ceiling fixings prior to installation. Please check surface is capable of supporting 5x the combined solutions weight.*



### STEP 3

Slide adapter socket over column and secure with through bolt, tighten the 2 grub screws either side. With assistance offer up the rail to the 2 column adapters and fix using the M10x25 hex screws and nuts provided.

Fit screens following Steps 2 & 3 for wall mounting.

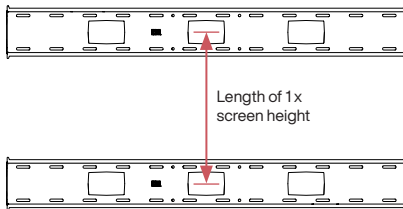


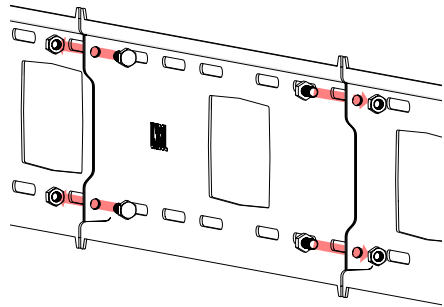
Illustration shows 2 single rails each long enough to support 2 x 50" screens

### STEP 2

Fix second row to the wall. If the VESA screen fixing hole array is central on the rear of the screen then the second rail/s row is a screen height length from rail centre to centre (see above).

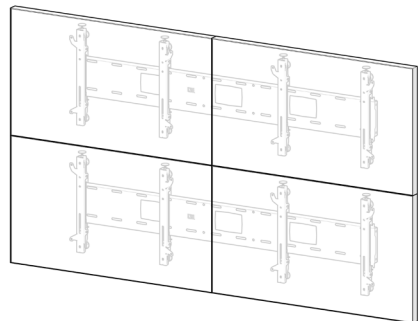
Continue to add rail rows for the number of screens you have and in what orientation your video wall is.

### VIDEO WALL



### STEP 1

If using more than 1 rail, join rails together using the M10x20 Hex Bolts and nuts supplied (2 at each joint). This can be done either before fixing to the wall or after depending on what is easiest. Fix the first row of rails to the wall using masonry plugs or other reliable fixings suitable for 5 x the load including all fittings. Ensure the rails are level.



### STEP 3

Add screens to the rails by following the 'Wall Mounting' instructions Page 2, Steps 2 & 3 above. Utilise the adjustments on the mount arms to align all screens together. Cable up as you fit each screen to complete installation.