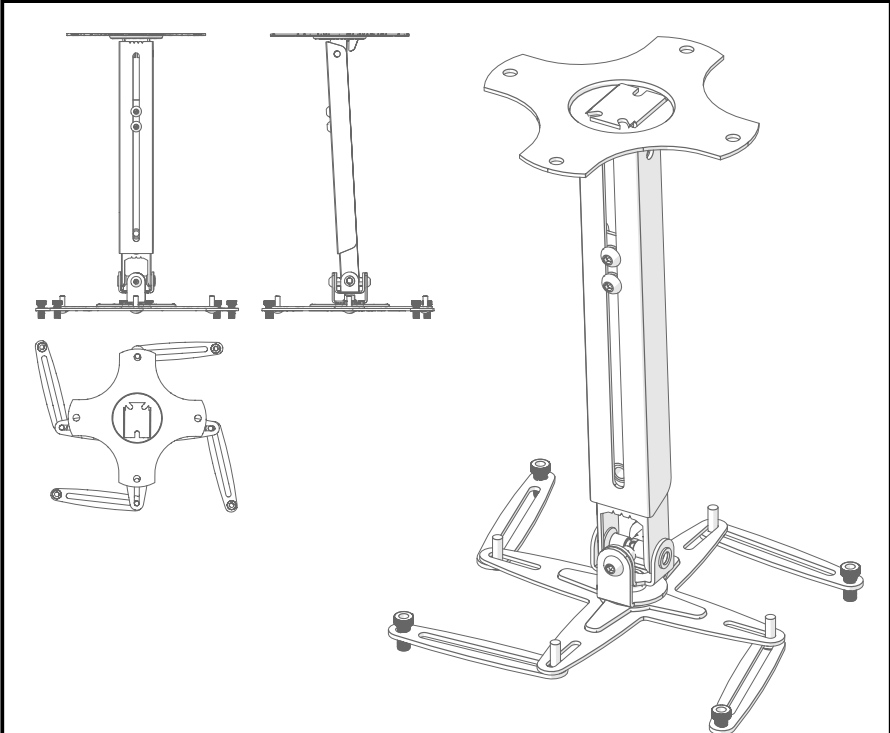


## GKUX / GKU1 / GKU2 / GKU3 GKUT1 / GKUT3 / KPR KITS



**Guide Max. Weight: 12kg**

*\*Please check model specific details before installing\**

**Revised 15/09/22**

### WARNING

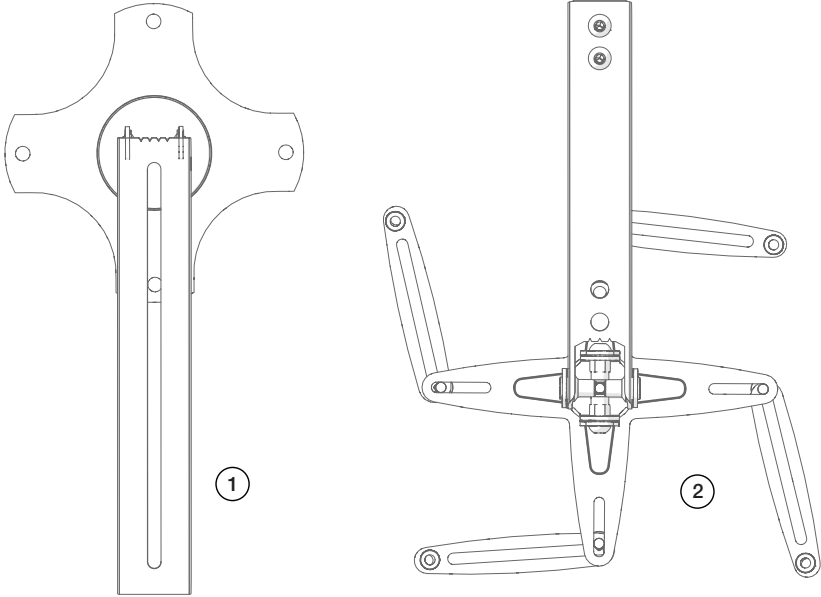
Please carefully inspect the product before assembling. If you notice any apparent damage, call your carrier claims agent and do not continue the installation until it has been reviewed. Please watch for pinch points. Do not put your fingers between moveable parts. Do not tamper with or disassemble any spring loaded parts. Before installing, make sure that the supporting surface will support five times the combined load of the solution and the hardware. Never exceed the maximum load capacity. Please also layout all components to ensure that you have all of the required parts before proceeding (see BOM list on following page). Use of this product for anything other than its specified use may result in failure or personal injury. This product is intended for indoor use only. We recommend using a qualified trades person for installation. Use an assistant or lifting equipment to lift and position products.

*For support, please call: +44 (0)1865 767676 or email: sales@unicol.com*

#	TOOLS REQUIRED
1	5mm Allen Key
2	
3	
4	
5	

INSTALLERS REQUIRED
1

## COMPONENTS



**NOTE:**

GKUX is a close to ceiling version of the GKU1 and has no telescopic arm.

GKU2 is a GKU1 and comes with a separate extension arm to increase arm length if required.

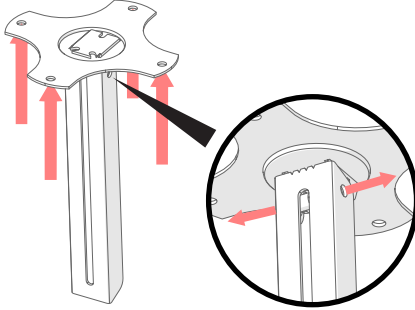
GKU3 comes complete with a long telescopic arm.

GK0 is a camera screw version for projectors with a single camera screw receptacle.

Follow these instructions for each of the models above.

#	DESCRIPTION	QTY
1	GKU1 Ceiling Fixing Plate & Arm	1
2	GKU1 Projector Fixing Plate & Arm	1
3		
4		
5		
6		
7		
8		
9		
10		

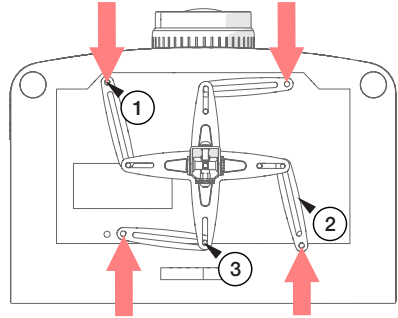
**STANDARD**



**STEP 1**

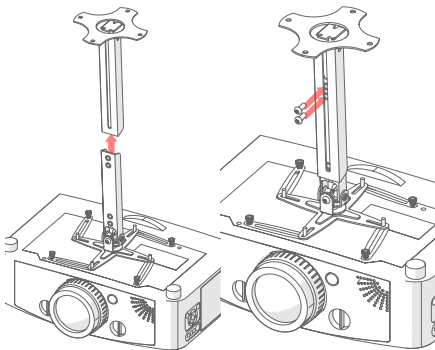
Using the 4 mounting slots cut out on the ceiling plate, determine where you want to install, mark it and fix into position. If fixing to a slanted ceiling, adjust the angle of the body by loosening the screws at the side, levelling and tightening again.

*Please consider cabling and fixings prior to installation. Please check surface can support 5x the combined solutions weight.*



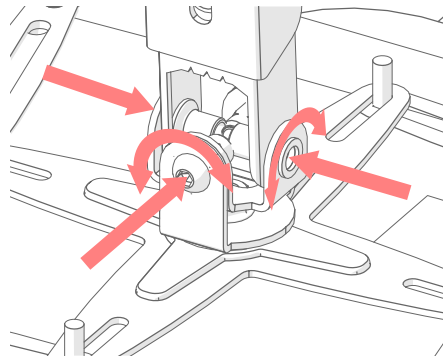
**STEP 2**

Fix the Universal plate and telescopic section to the projector using the screws provided. Adjust arm lengths (2) by loosening the knurled screws (3) to enable fixing screws to locate into projector fixing holes. Level the Universal plate against the projector by screwing up or down the hollow screws (1). Once in position, centralise the mount and tighten all screws.



**STEP 3**

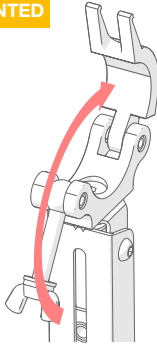
Join the 2 parts of the GKU1 together by sliding the bottom half into the top half and fix using the dome headed allen screws. Adjust the telescopic section as required and fully tighten screws.



**STEP 4**

Using the pan, tilt and screen levelling functions adjust the projector alignment. Finally tighten all dome headed screws using the allen key provided.

## TRUSS MOUNTED



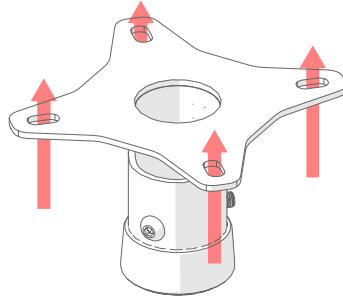
### STEP 1

Loosen the truss clamp to open it up. Place around the truss, close the clamp and tighten until secure.

*Please consider cabling and fixings prior to installation. Please check surface can support 5x the combined solutions weight.*

Please carry on with Step 2 on page 3.

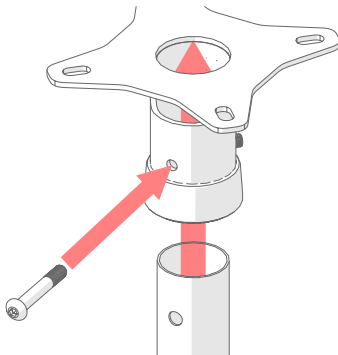
## COLUMN MOUNTED



### STEP 1

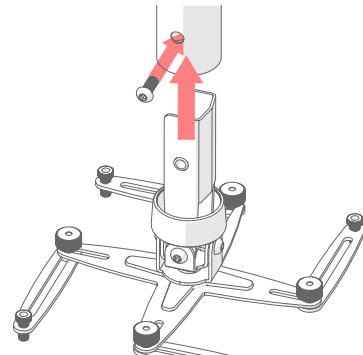
Using the 4 ceiling mounting slots, as shown above, determine where you want to install your mount, mark it and fix into position.

Please consider cabling and ceiling fixings prior to installation. Please check surface is capable of supporting 5x the combined solutions weight.



### STEP 2

Slide all cabling through the column and through the gap in the ceiling plate socket. Being mindful of the cables, slide the column into the socket, ensuring that the two holes either side align with those on the mount. Using the through bolt, secure the column into place and tighten the two grub screws at the rear. Follow Step 2 on page 3.



### STEP 3

Slide the mount adapter into the bottom of the column and secure on either side of the column using the dome headed screws provided.

Carry on with Step 4 on page 3.