

GKC / GK1 / GK2 / GK3 / GK4 used with GAP or GAPU

The diagram illustrates various components of the UNICOL GK series. On the left, three vertical assemblies are shown: GK3 (a long vertical rod with a top plate and base), GK2 (a shorter vertical rod with a top plate and base), and GK4 (a shorter vertical rod with a top plate and base). Below these are the GK Trilock (a circular base plate) and GAP (a rectangular plate with a central cutout). In the center, the GAPU (Optional) is shown as a circular plate with four adjustable arms. On the right, two more assemblies are shown: GK1 (a vertical rod with a top plate and base) and an 'Example Shown' (a rectangular plate with a central cutout, similar to GAP). The text 'Revised 20/09/22' is located at the bottom right of the diagram area.

Guide Max. Weight: Wall mounted – 12kg
 Ceiling mounted – 20kg

Please check model specific details before installing

Revised 20/09/22

WARNING

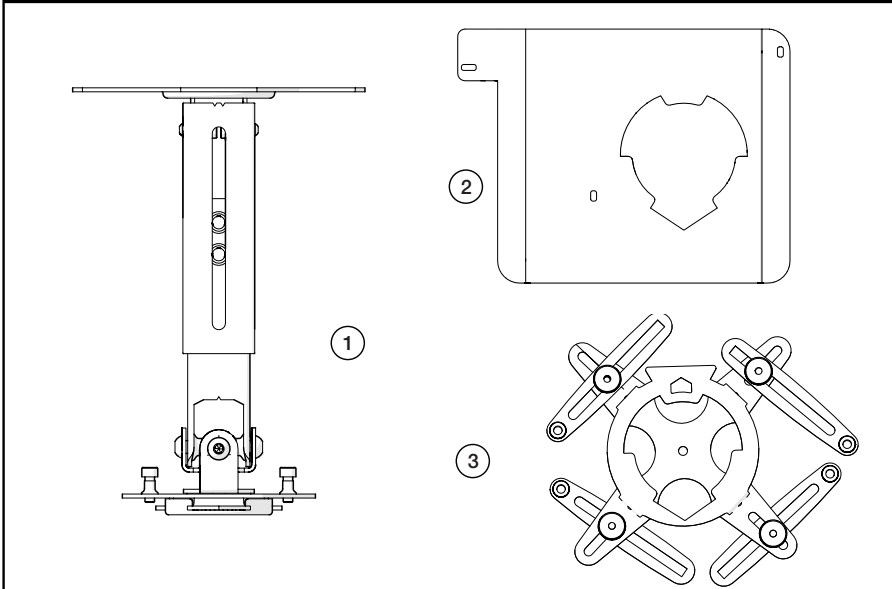
Please carefully inspect the product before assembling. If you notice any apparent damage, call your carrier claims agent and do not continue the installation until it has been reviewed. Please watch for pinch points. Do not put your fingers between moveable parts. Do not tamper with or disassemble any spring loaded parts. Before installing, make sure that the supporting surface will support five times the combined load of the solution and the hardware. Never exceed the maximum load capacity. Please also layout all components to ensure that you have all of the required parts before proceeding (see BOM list on following page). Use of this product for anything other than its specified use may result in failure or personal injury. This product is intended for indoor use only. We recommend using a qualified trades person for installation. Use an assistant or lifting equipment to lift and position products.

For support, please call: +44 (0)1865 767676 or email: sales@unicol.com

#	TOOLS REQUIRED
1	5mm Allen Key
2	
3	
4	
5	

INSTALLERS REQUIRED
1

COMPONENTS



NOTE:

GK2 is a close to ceiling version of the GK1 and has no telescopic arm.

GK2 is a GK1 and comes with a separate extension arm to increase arm length if required.

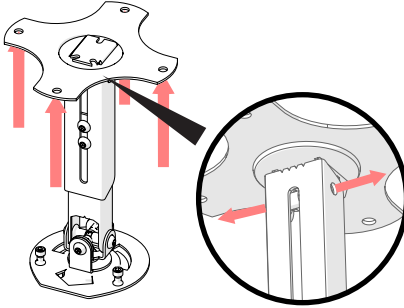
GK3 comes complete with a long telescopic arm.

Follow these instructions for each of the models above.

Gyrolock Adapter Plates (GAP) are specific to your projector. Illustrations may differ from your GAP. Universal Adapter Plates (GAPU) fit many projectors. They all have identical connection systems.

#	DESCRIPTION	QTY
1	GK1 Gyrolock	1
2	Gyrolock Adapter Plate (GAP)	1
3	Universal Adapter Plate (GAPU) (Optional)	1
4		
5		
6		
7		
8		
9		
10		

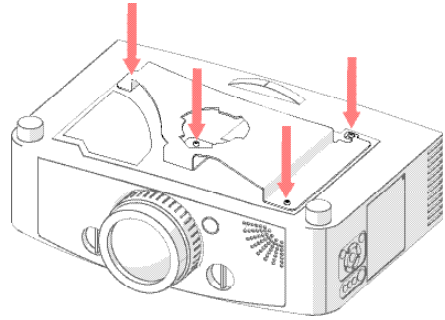
STANDARD



STEP 1

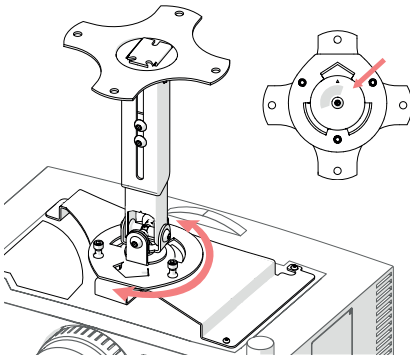
Using the 4 mounting slots cut out on the ceiling plate, determine where you want to install, mark it and fix into position. If fixing to a slanted ceiling, adjust the angle of the body by loosening the screws at the side, levelling and tightening again.

Please consider cabling and fixings prior to installation. Please check surface can support 5x the combined solutions weight.



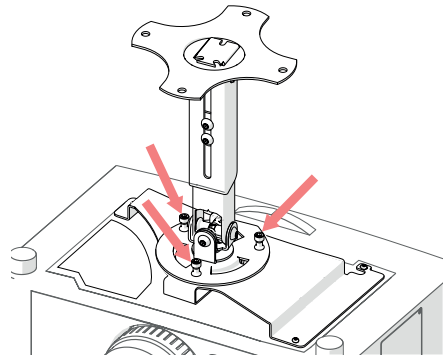
STEP 2

Fix the Gyrolock Adapter Plate (GAP) to the projector using the screws provided. The GAP is designed specifically for your projector - tighten all screws.



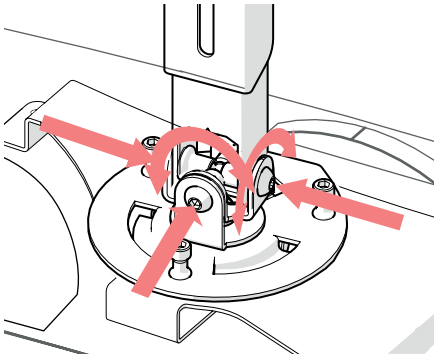
STEP 3

Offer the projector up to the Gyrolock so that the GAP engages with the corresponding Trilok mechanism. There is a bowl shape on the bottom of the Trilok to aid location. Once located and with upward pressure maintained turn the projector horizontally through 180 degrees.



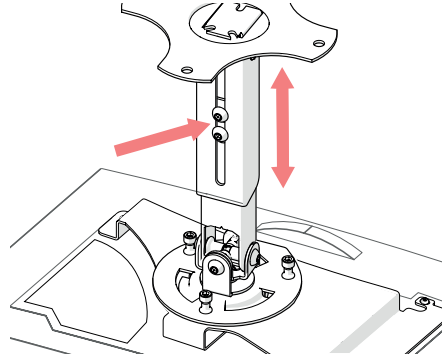
STEP 4

Release pressure to ensure projector is correctly in place then tighten the three knurled screws to lock the Gyrolock to the GAP.



STEP 5

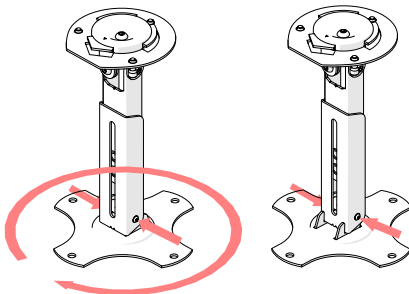
Using the pan, tilt and yaw levelling functions adjust the projector alignment. Finally tighten all dome headed screws using the allen key provided.



STEP 6

The length of drop can be adjusted by loosening the allen screws, adjusting the telescopic section as required and fully re-tightening the screws.

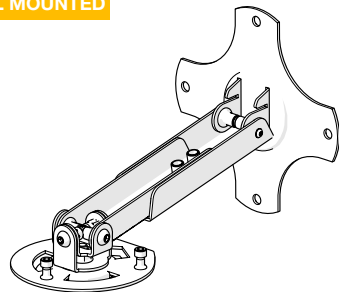
FLOOR OR TABLE MOUNTED



STEP 1

Invert Gyrolock and remove the 2 allen screws at fixing plate. Swivel the Gyrolock arm mechanism through 180 degrees and locate arm top edge into slots on fixing plate. Refit allen screws and tighten. Screw fixing plate into horizontal surface. (fixing screws not provided).

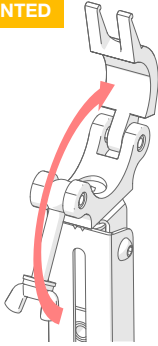
WALL MOUNTED



STEP 1

Orientate the Gyrolock in the manner above and mount to the wall through the fixing plate. Because of the additional cantilever forces in this orientation the projector weight is restricted to 12kg.

TRUSS MOUNTED



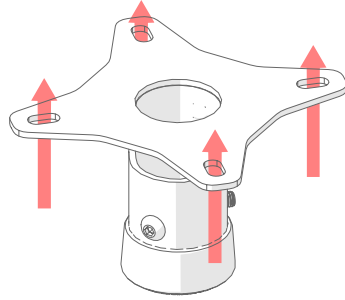
STEP 1

Loosen the truss clamp to open it up. Place around the truss, close the clamp and tighten until secure.

Please consider cabling and fixings prior to installation. Please check surface can support 5x the combined solutions weight.

Please carry on with Step 2 on page 3.

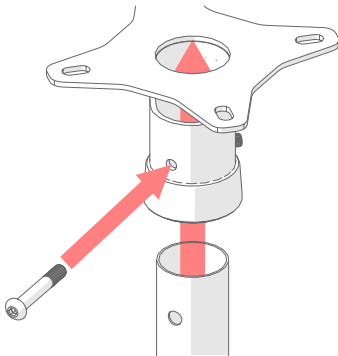
COLUMN MOUNTED



STEP 1

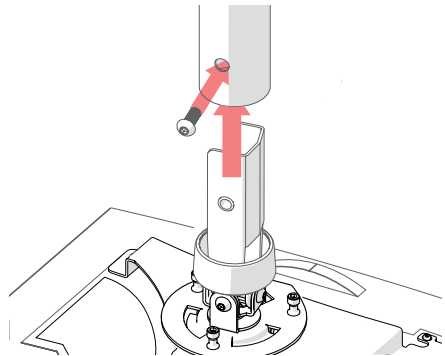
Using the 4 ceiling mounting slots, as shown above, determine where you want to install your mount, mark it and fix into position.

Please consider cabling and ceiling fixings prior to installation. Please check surface is capable of supporting 5x the combined solutions weight.



STEP 2

Slide all cabling through the column and through the gap in the ceiling plate socket. Being mindful of the cables, slide the column into the socket, ensuring that the two holes either side align with those on the mount. Using the through bolt, secure the column into place and tighten the two grub screws at the rear. Follow Step 2 on page 3.

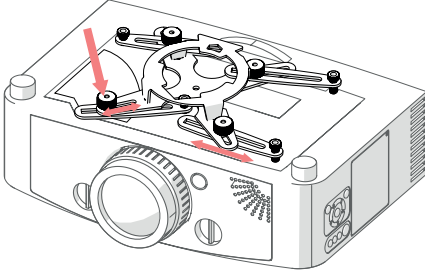


STEP 3

Slide the mount adapter into the bottom of the column and secure on either side of the column using the dome headed screws provided.

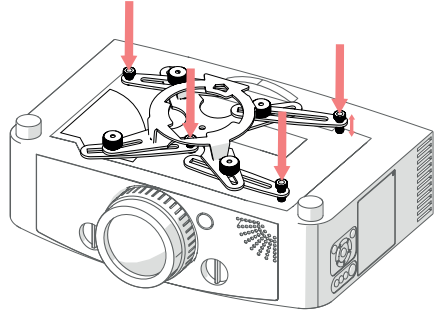
Carry on with Step 3 on page 3.

FITTING UNIVERSAL GAP PLATE



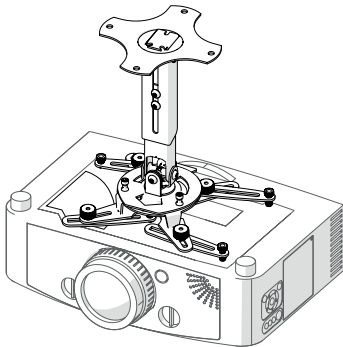
STEP 1

Align the Universal Gyrolock Adapter Plate (GAPU) to the projector by loosening the large knurled screws and adjusting the arms so that the small knurled fixing screws align with the projector fixing holes.



STEP 2

Once aligned tighten the small knurled fixing screws into the projector. If there are any contours on the projector fixing plane there is height adjustment using the small knurled fixing screw. Tighten all large knurled fixing screws to secure GAPU.



STEP 3

Follow Steps 3 to 6 on Pages 3 & 4 to complete install.